



## Broaster<sup>®</sup> Landing and Dump Table



Landing Table

Dump Table

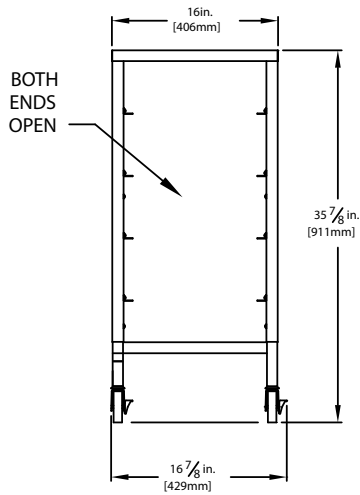
### Standard Features

- *Safe and convenient* – these must-have tables provide sanitary working conditions and plenty of storage space for extra pans, grates, utensils, and other kitchen accessories.
- *Great mobility* – with four swivel casters these tables can be moved anywhere they are needed in your kitchen.
- *Functional and sturdy* – stainless steel work surfaces are durable and easy to clean after use.
- *Perfect for any kitchen* – dump table's high side frame prevents product spill-over and food loss when unloading fry baskets. Landing table has flat countertop surface, perfect for holding pans while you load your Broaster<sup>®</sup> Pressure Fryer, or as a table top for supporting other equipment.

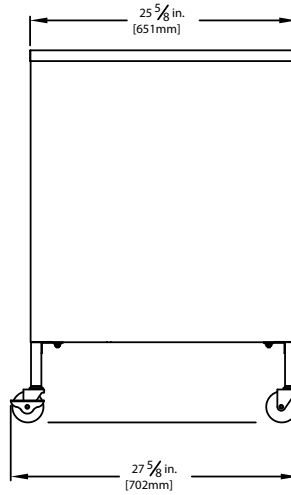
### Additional Features

- Both tables feature frames made from welded #16 gauge stainless steel and sides and tops made from #20 gauge grained stainless steel.
- Both tables include 4-tray slots, designed to hold standard 12" x 20" pans (pans not included).
- Both tables have four swivel casters for easy mobility, two of which are locking.
- Dump table's dumping frame is removable for easy cleaning and made from welded #20 gauge grained/stainless steel.
- Landing table's countertop is made from #20 gauge grained stainless steel and provides portable workspace anywhere in your kitchen for accessory equipment such as the Broaster Model 620 Easy Breader/Marinator or the Broaster Potato Wedger.

# Broaster® Landing and Dump Table



FRONT VIEW

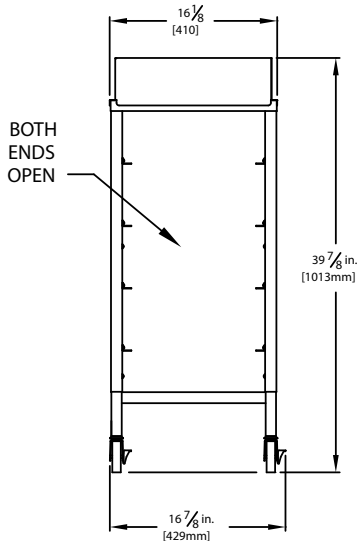


SIDE VIEW

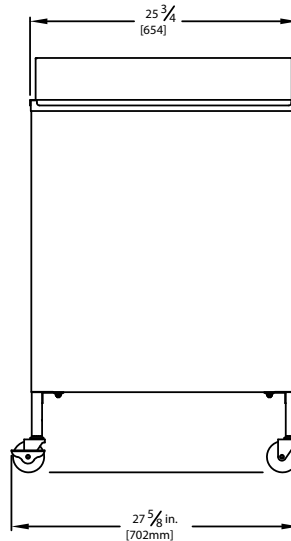
Landing Table



TOP VIEW

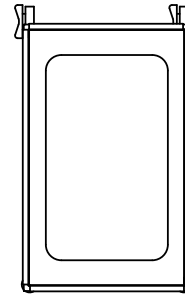


FRONT VIEW



SIDE VIEW

Dump Table



TOP VIEW

## Dimensions

Part No.	Overall Dimensions			Overall Height	Net/Ship Weight
	W	D	H		
85211	16-7/8"	27-5/8"	35-7/8"	35-7/8" (911 mm)	41/44 lbs. (18.6/19.9 kg)
	(429 mm)	(702 mm)	(911 mm)		
85212	16-7/8"	27-5/8"	35-7/8"	39-7/8" (1013 mm)	46/50 lbs. (20.9/22.7 kg)
	(429 mm)	(702 mm)	(911 mm)		