

Project \_\_\_\_\_  
Item \_\_\_\_\_  
Quantity \_\_\_\_\_  
FCSI Section \_\_\_\_\_  
Approval \_\_\_\_\_  
Date \_\_\_\_\_



## Broaster<sup>®</sup> Standard Series Heated Merchandiser



GRHD-3P with stainless steel finish  
(shown with optional passthrough  
doors and 4 foot metal module base cabinet).

### Standard Features

- *Tempered glass fronts and incandescent display lighting* – spotlights your product with maximum visibility. Ideal for quick service restaurants, c-stores, delis, or any operation where the ultimate in product merchandising and holding is important.
- *Thermostatically controlled heated base* – each unit features an exclusive infra-red heat pattern and heated base with special “cool-to-the-touch” base construction to assure that your foods retain their quality and freshly prepared taste.
- *Variety of sizes to fit your needs* – choose from one, two, or three-pan wide models in either single or dual shelf configurations.
- *Designer colors* – available in standard stainless steel and a wide range of optional colors including Warm Red, Gray Granite, White Granite, Black, Navy Blue, and Hunter Green.

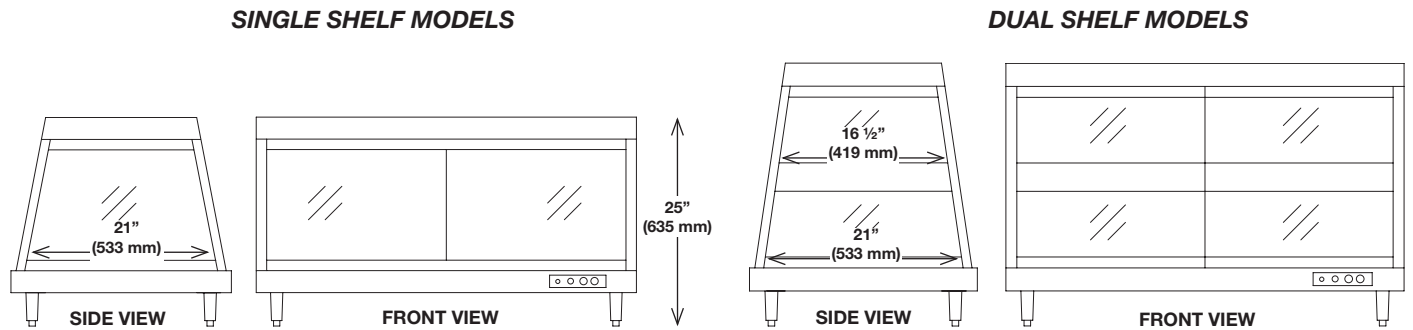


### Specifications

Model GRHD-XP Heated Merchandiser includes single or dual shelf display areas and radiant heat systems to maintain safe product temperature. Adjustable thermostat controls infra-red heat below and radiant heat above the product display and shelves.

Models hold from one to six-pans wide with single or dual shelves. Unit is constructed of all stainless steel and tempered glass in accordance with NSF standard #3.

# Broaster® Standard Series Heated Merchandiser



## Single Shelf

Model <sup>1</sup>	Electrical Requirements <sup>2</sup>	Overall Dimensions			Shipping Weight
		W	D	H <sup>3</sup>	
GRHD-2P	120 volt, 1 ph., 60 hz., 940 watts	32 1/2" (826 mm)	26" (660 mm)	25" (635 mm)	120 lbs (54 kg)
GRHD-3P	120 volt, 1 ph., 60 hz., 1350 watts	45 1/2" (1156 mm)	26" (660 mm)	25" (635 mm)	150 lbs. (68 kg)
GRHD-4P	120 volt, 1 ph., 60 hz., 1785 watts	58 1/2" (1486 mm)	26" (660 mm)	25" (635 mm)	215 lbs. (98 kg)

## Dual Shelf

Model <sup>1</sup>	Electrical Requirements <sup>2</sup>	Overall Dimensions			Shipping Weight
		W	D	H <sup>3</sup>	
GRHD-2PD	120 volt, 1 ph., 60 hz., 1310 watts	32 1/2" (826 mm)	26" (660 mm)	30" (762 mm)	168 lbs. (76 kg)
GRHD-3PD	120 volt, 1 ph., 60 hz., 1755 watts	45 1/2" (1156 mm)	26" (660 mm)	30" (762 mm)	200 lbs. (91 kg)
GRHD-4PD	120 volt, 1 ph., 60 hz., 2660 watts	58 1/2" (1486 mm)	26" (660 mm)	30" (762 mm)	230 lbs. (104 kg)

## Specifications Notes:

- "P" in model number indicates the number of food pans unit will hold (with the same number of half-size pans for those units with a top shelf), i.e., 2P = two pans. "D" in model number indicates a dual shelf model.
- Export voltages available. All models furnished with electrical cord having NEMA 5-20P plug configuration. Cord is located on control side at right base corner.
- Height dimension includes 4" (102 mm) for mounting legs. NSF requires units over 36" (914 mm) in width or weighing more than 80 lbs. (36 kg) to be either sealed to the installation surface or raised above it with the included legs.

## Accessories & Options Available

- Pan Skirts
- Pass Through Doors
- Stainless Steel Food Pans
- Black Plastic Food Pans
- Wire Trivets