

# XTRA CRISPY PREP STATION P/N 85966

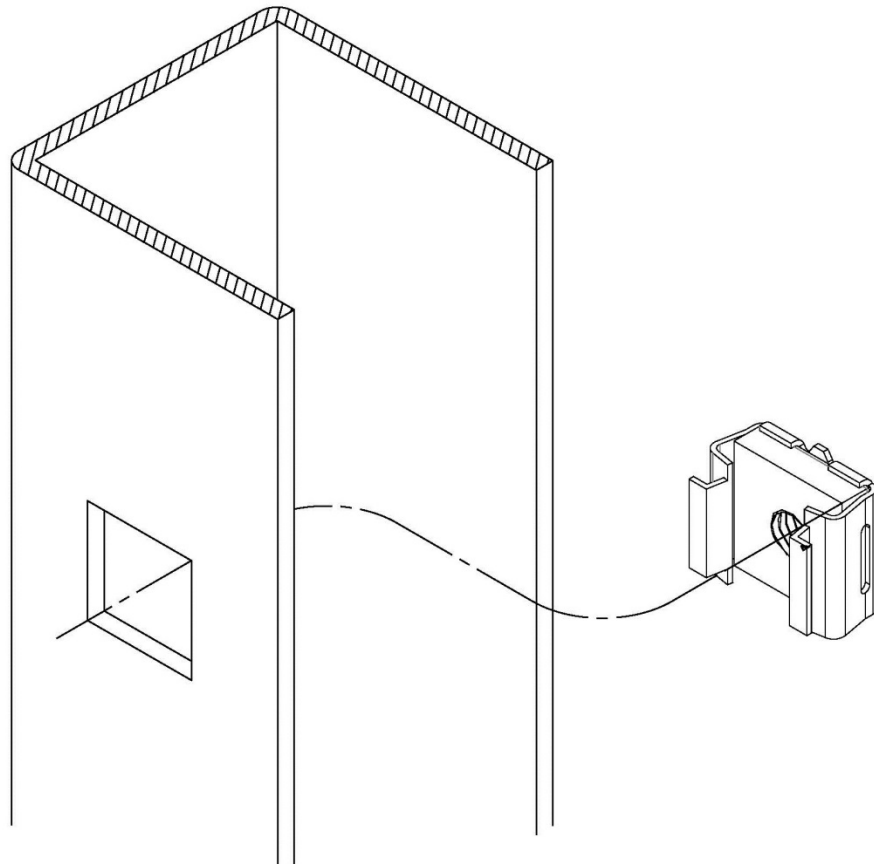
## ASSEMBLY INSTRUCTIONS

### PARTS LIST

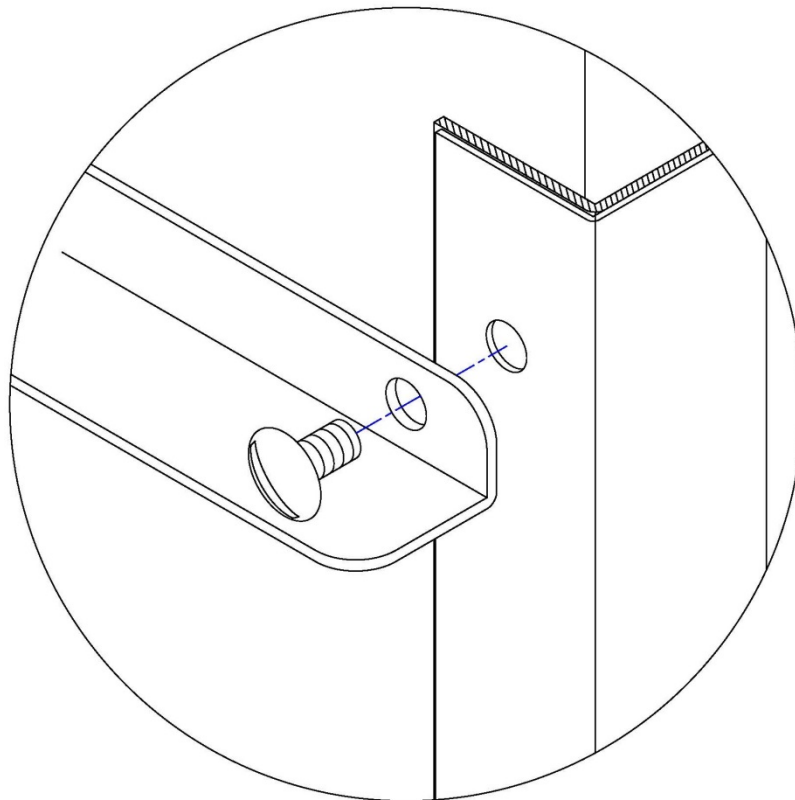
<u>Part No.</u>	<u>Description</u>	<u>Qty</u>	<u>Part No.</u>	<u>Description</u>	<u>Qty</u>
01596	¼" Flat Washer	8	10533	Side Panels	2
04147	Hx Hd Screw 14-20 x ½"	4	10534	Frame	2
06169	¼-20 Nut, Finishing	8	10542	Guard	1
08275	Tr Hd Screw #10-32 x 3/8"	24	10545	Top, Dumping Table	1
10304	Caster wo/Brake	2	10567	Pan Support	8
10305	Caster w/Brake	2	17173	#10-32 Cage Nut	24

**ASSEMBLY INSTRUCTION** Assembly time: 30 minutes. (approx.) **Carefully read ALL instructions before beginning. DO NOT tighten any hardware until table is completely assembled.**

1. Remove all parts to confirm quantities.
2. Remove protective plastic from side panels (10533) and top (10545).
3. Install #10-32 Cage Nuts (17173) in the square holes from inside the frame and side channels (See III A).
4. The flange on the side panels (10533), with the (4) holes is the bottom and it should rest on the top of the frame brackets. Attach the side panels (10533) to frame (10534) at the bottom using (4 ea.) Hx Hd Screw #04147, Flat Washer #01596, and Nut #06169 at all four corners. (See Assembly III). **NOTE:** side panels will be hard to get over frame, use a flat screw driver to assist.
5. Install #10304 Caster w/Brake in one of the frames.
6. Install #10305 Caster wo/Brake in the other frame.
7. Apply #02118 Seal- NSF and #16368 Label- Soiled Rags to the side panel in the upper left corner of the end that has the caster with the brake. This is the front of the table.
8. Attach Top #10545 by sliding down over the side panels so that the studs on the bottom side of the top are inserted through the holes in the top flange of the side panels. Using (4 ea.) Flat Washer #01596, and Nut #06169 in that order, fasten top to sides. **DO NOT** over tighten nuts. Large dimples will form in the top if the nuts are over tightened.
9. From bottom of side panel working up, insert Tr Hd Screw #08275 into bottom hole and the fourth hole up into Cage Nut #17173 at all four corners.
10. Insert pan supports #10567 beginning at the 2<sup>nd</sup> hole from the bottom. Insert pan support with hole toward frame (See III B). Attach each support at each end with Tr Hd Screw #08275 into Cage Nut #17173. Supports should be 6" apart. Leave top two holes empty. Do the same on the opposite side.
11. Tighten all nuts and screws, place Guard #10542 over table top.



**Illustration A.**



**Illustration B.**

# ASSEMBLY ILLUSTRATION

