

BROASTER[®]

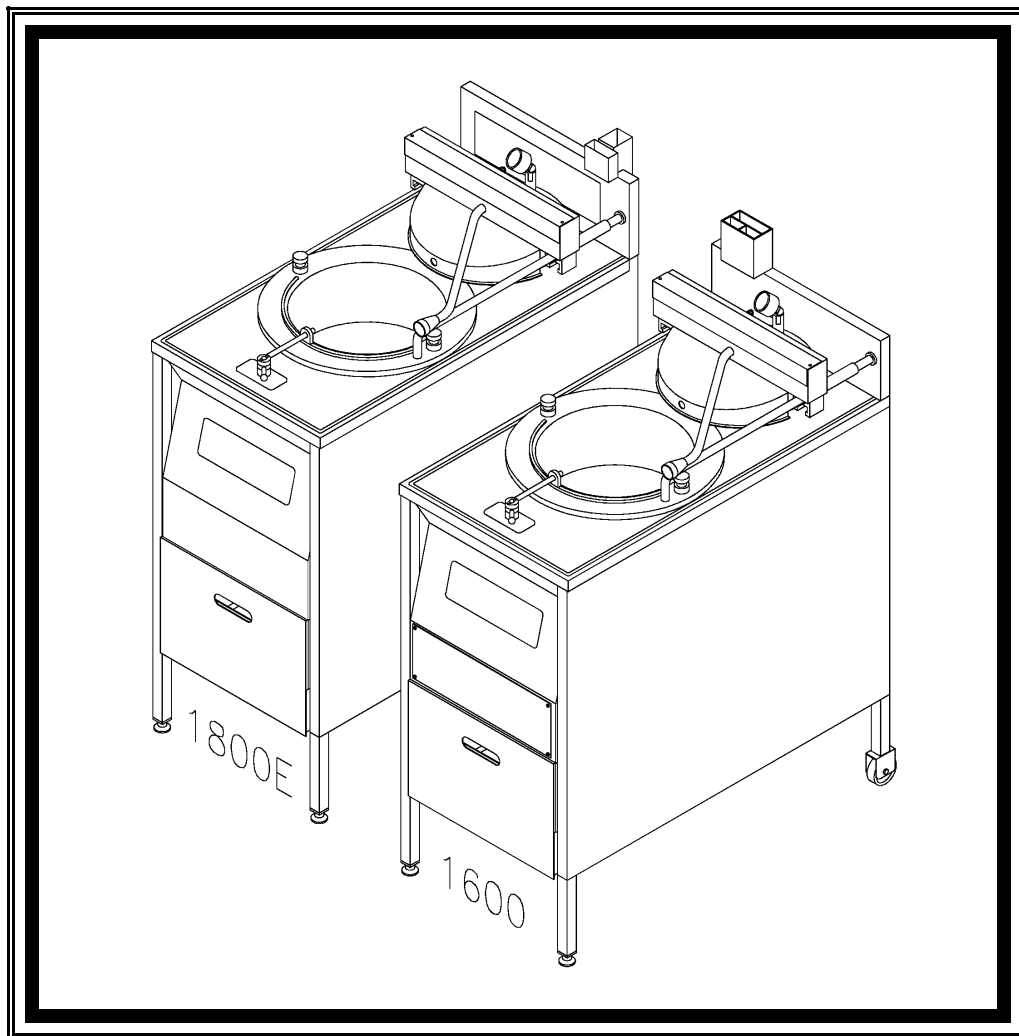
EQUIPMENT

PARTS MANUAL

BROASTER[®] 1600 AND 1800

PRESSURE FRYER

Be sure ALL installers read, understand, and have access to this manual at all times.



Genuine Broaster Chicken[®], Broasted[®], Broaster Chicken[®], Broaster Foods[®], and Broasterie[®] are registered trademarks. Usage is available only to licensed operators with written authorization from The Broaster Company.

The Broaster Company
2855 Cranston Road, Beloit, WI 53511-3991
608/365-0193 broaster.com

Design Certified By:

1600: CSA, NSF and UL

1800: CSA (AGA & CGA), NSF and UL

14681 7/99 Rev 7/22

© 1999 the Broaster Company

Printed In U.S.A.

FOR YOUR SAFETY

Do not use or store gasoline or other flammable vapors or liquids in the vicinity of this or any other appliance.

⚠ WARNING Improper installation, adjustments, alteration, service or maintenance can cause property damage, injury or death. Read the installation, operating and maintenance instructions thoroughly before installing or servicing this equipment.

For the sake of safety and clarity, the following words used in this manual are defined as follows:

⚠ DANGER Indicates an imminently hazardous situation which, if not avoided, could result in serious injury or death.

⚠ WARNING Indicates a potentially hazardous situation which, if not avoided, could result in serious injury or death.

⚠ CAUTION Indicates a potentially hazardous situation which, if not avoided, could result in minor injury, property damage or both.

All adjustments and repairs shall be made by an authorized Broaster Company representative.

If there is a power failure, turn cook/filter switch OFF. On the Model 2400GH, also slide switch on gas valve OFF. DO NOT attempt to operate unit during a power failure.

⚠ WARNING Failure to read and understand this manual completely could result in serious injury or death. Be sure ALL operators read, understand and have access to this manual at all times.

⚠ WARNING Rags or paper containing cooking oil can catch fire if exposed to heat. Laundering will not remove the oil. Dispose of all oil-soiled papers and rags in a trash container that is in a ventilated area away from all cooking equipment or other heat sources such as direct sunlight.

⚠ WARNING If at any time the **POWER ON** light does not turn off when the cook/filter switch is moved to the OFF position, disconnect the power to the fryer and contact your local Broaster Company representative for service immediately.

⚠ WARNING DO NOT operate unit without filter pan and filter pan cover in its proper position. Filter pan cover must be wiped clean after each filtering cycle.

⚠ WARNING Make sure Pressure Relief Valve and Pressure Gauge ports on bottom of cover are clear of any oil or grease buildup.

1600 Mechanical Controls:

⚠ WARNING If at any time the unit fails to operate properly when the cook/filter switch is moved to the cook position, contact your local Broaster Company representative for service immediately.

cont'd on next page

1600/1800E Solid State Controls:

⚠ WARNING If at any time the **POWER ON** light does not turn off when the cook/filter switch is moved to the **OFF** position, disconnect power to the fryer and contact your local Broaster Company representative for service immediately.

1800GH:

Post, in prominent locations, instructions to be followed in the event that the user smells gas. This information can be obtained from your local gas supplier.

⚠ WARNING Make sure a restraining device is used that complies with the Standard for *Commercial Gas Ranges, ANSI Z83.11/ CSA 1.8* to guard against transmission of strain to the gas connectors.

⚠ DANGER Failure to restrain the fryer could allow it to move, causing hot shortening to spill out, or a possible break in the gas line causing an explosive condition.

TABLE OF CONTENTS

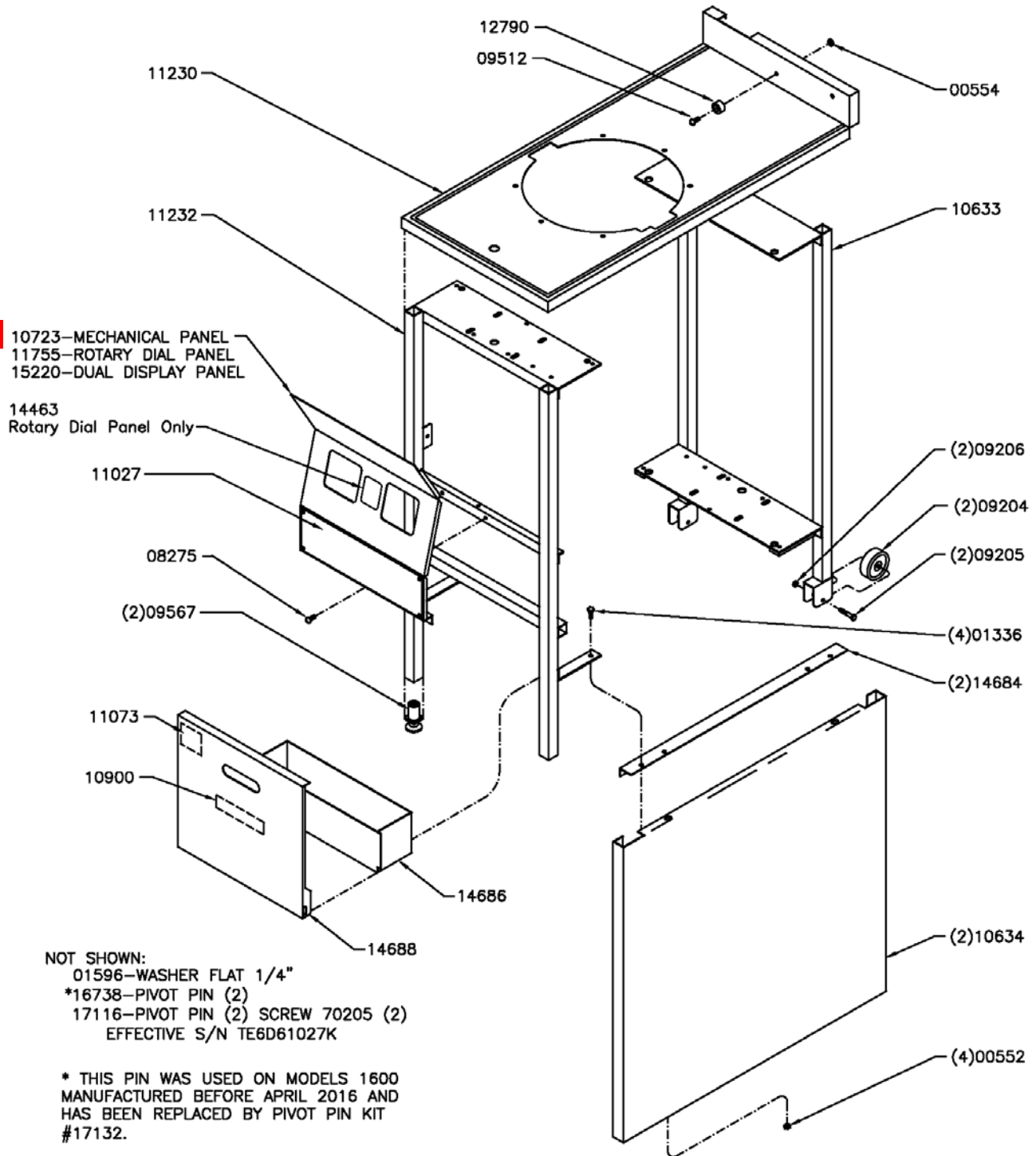
1 - OUTER PANEL	
1600	1 - 1
1800	1 - 2
2 - COOKING WELL GROUP	
1600	2 - 1
1800	2 - 2
3 - CONTROL PANELS	
Mechanical	3 - 1
1600 Solid State	3 - 2
1800 Solid State	3 - 3
4 - COVER AND YOKE GROUP	
1600	4 - 1
1800	4 - 2
5 - PRESSURE EXHAUST SYSTEM	
1600	5 - 1
1800	5 - 2
6 - PRESSURE REGULATING VALVE	
7 - POWER INPUT BOX	
1600	7 - 1
1800E	7 - 2
1800GH	7 - 3
1800 GHCE	7 - 4
1800GHUK for the United Kingdom	7 - 5
8 - COOKING WELL PARTS	
1600	8 - 1
1800	8 - 2
9 - 1800GH BURNER ASSEMBLY	
1800GH	9 - 1
1800GHCE & 1800GHUK	9 - 2
10 - 1800GH COMBUSTION CHAMBER	
11 - FILTER SYSTEM	
1600	11 - 1
1800E	11 - 2
1800ECE	11 - 2
1800GH	11 - 2
1800GHCE	11 - 3
1800GHUK	11 - 3

12 - FOOD BASKET..... 12 - 1

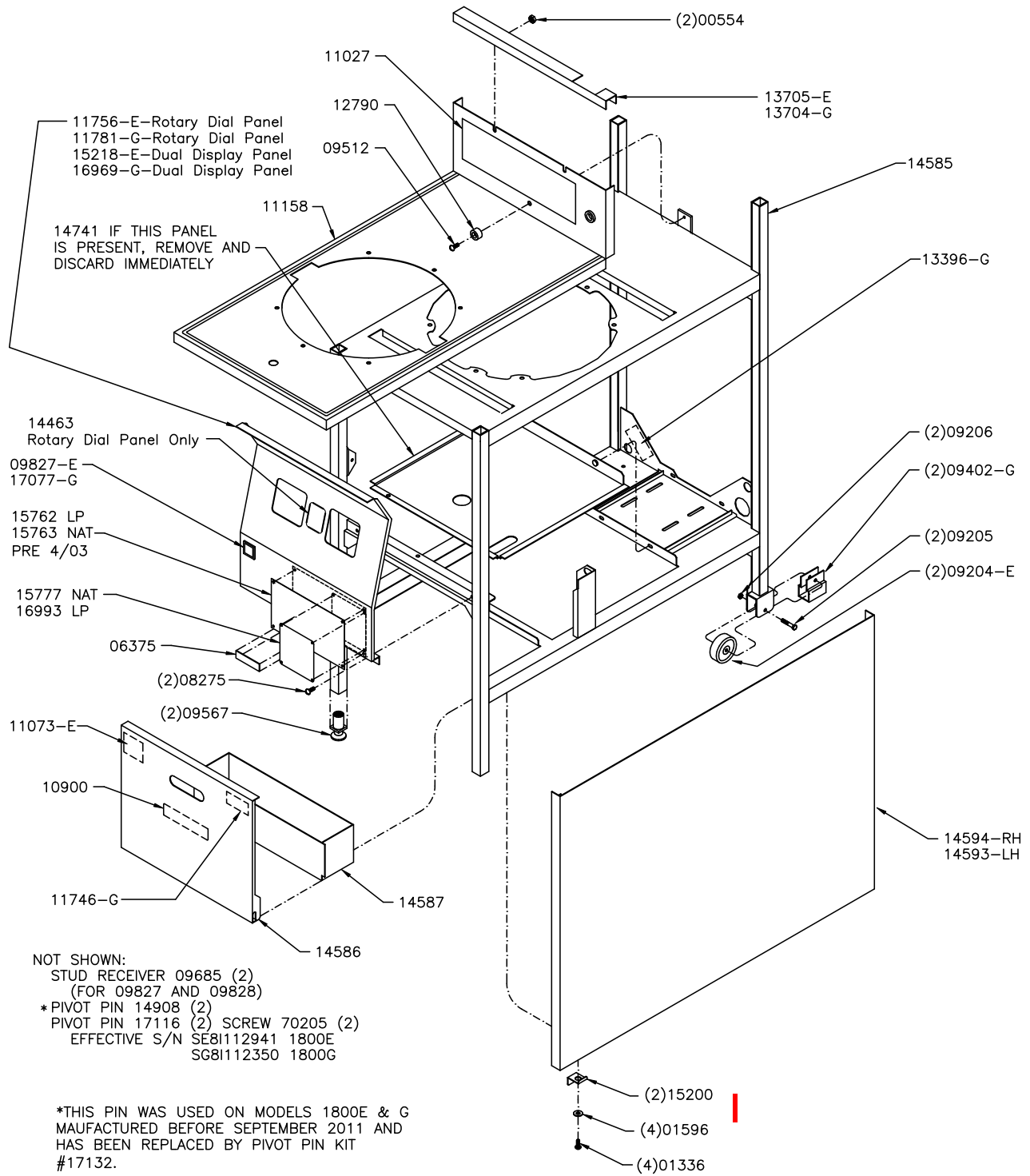
13 - PART NUMBER LIST 13 - 1

1 - OUTER PANELS

Model 1600:



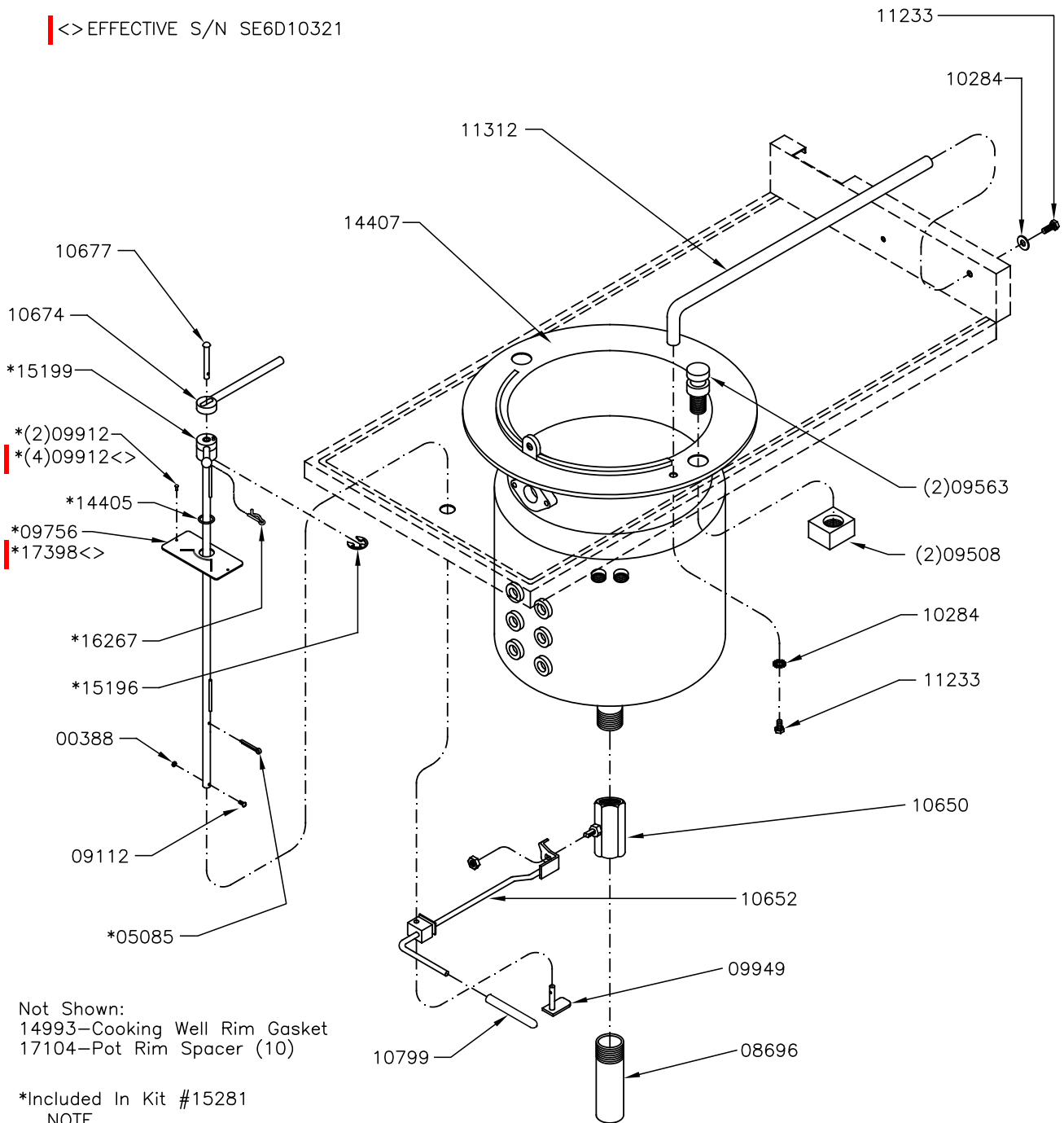
Model 1800:



2 - COOKING WELL GROUP

Model 1600:

<> EFFECTIVE S/N SE6D10321



Not Shown:
 14993-Cooking Well Rim Gasket
 17104-Pot Rim Spacer (10)

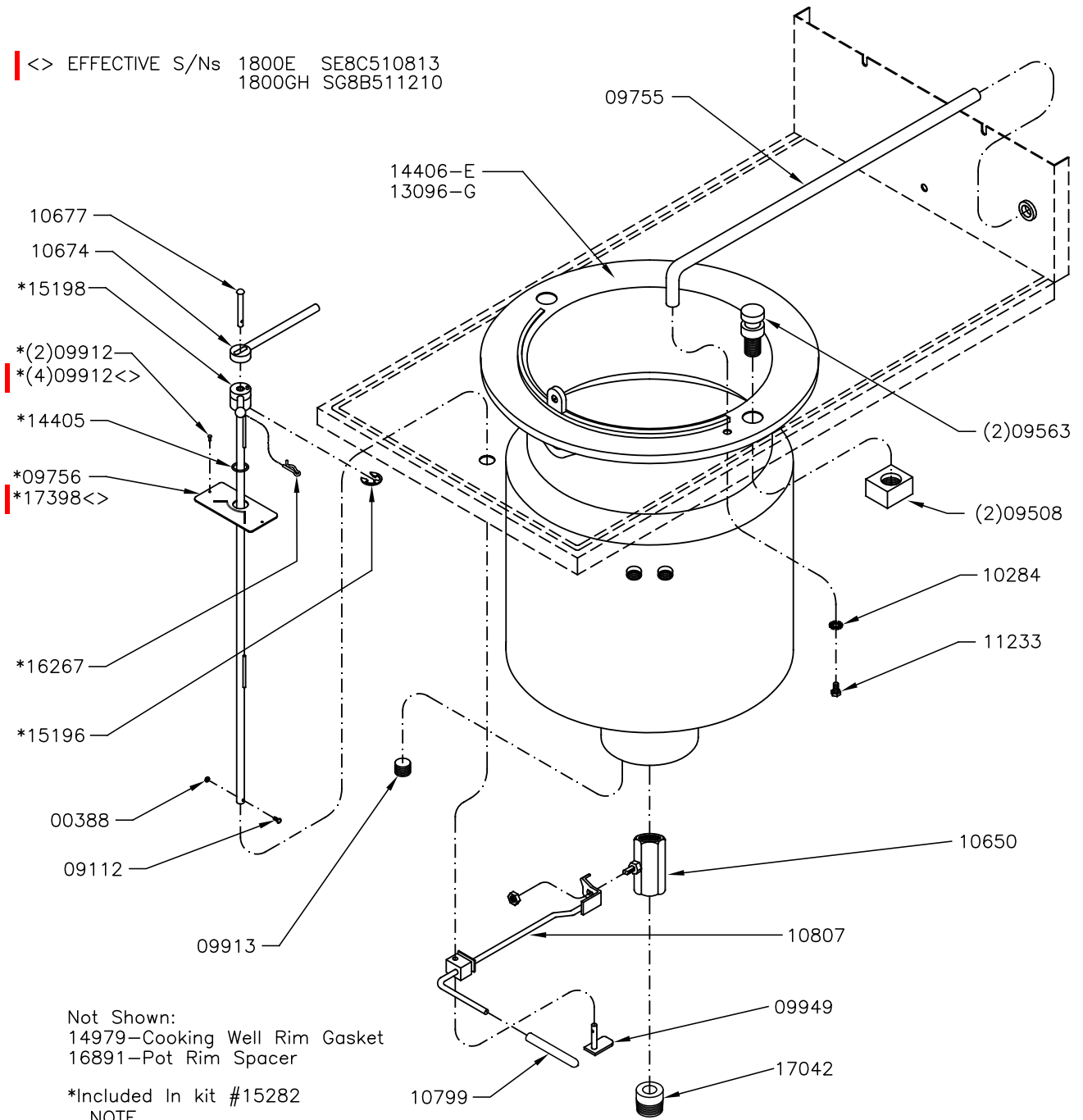
*Included In Kit #15281

NOTE

Kit is required for models prior to:
 SE6D100613
 SE6D100651

Model 1800:

<> EFFECTIVE S/Ns 1800E SE8C510813
1800GH SG8B511210



Not Shown:
14979—Cooking Well Rim Gasket
16891—Pot Rim Spacer

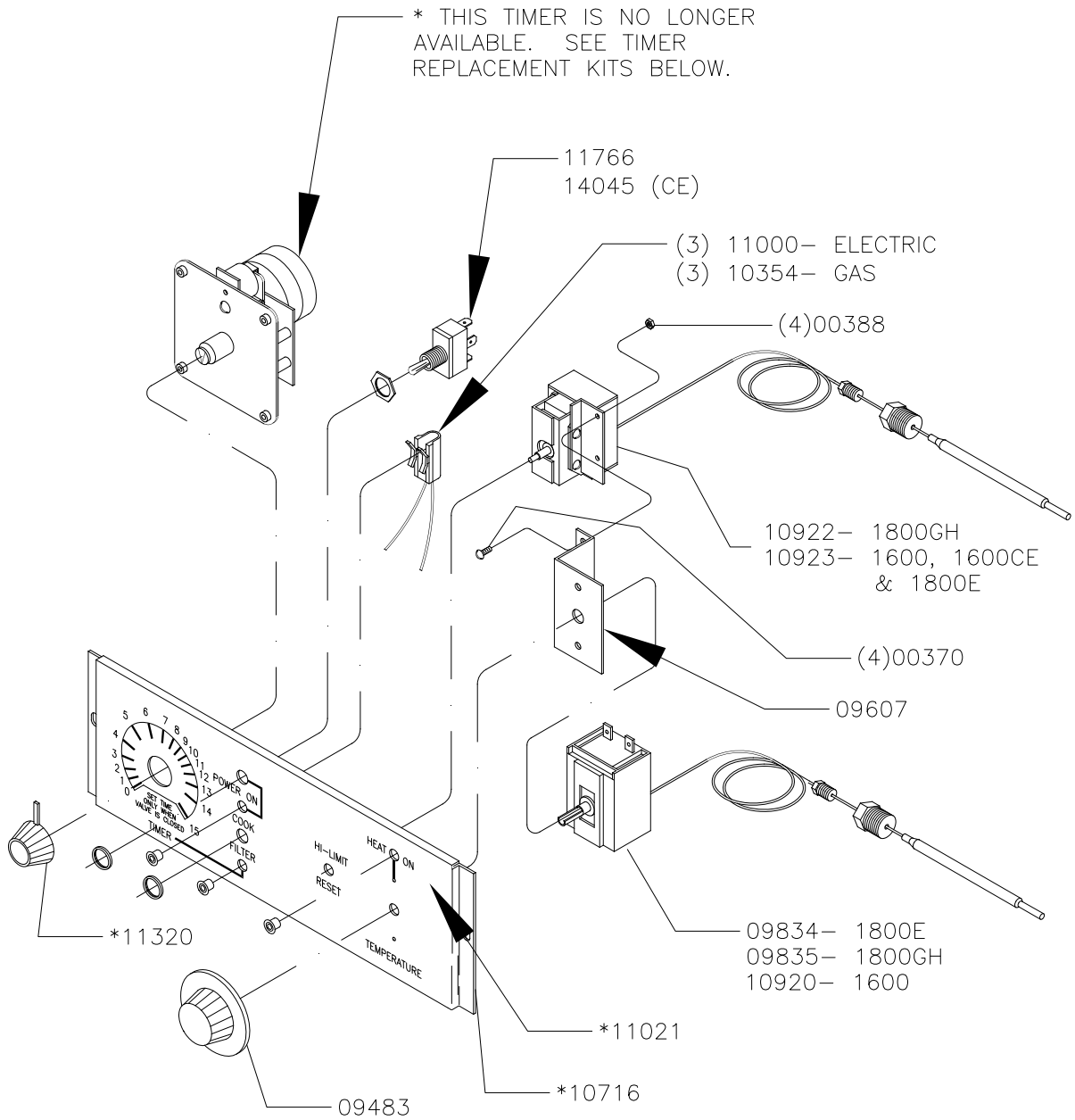
*Included In kit #15282

NOTE

Kit is required for models prior to:
SE8D101763
SE8D101961
SG8D100850

3 - CONTROL PANELS

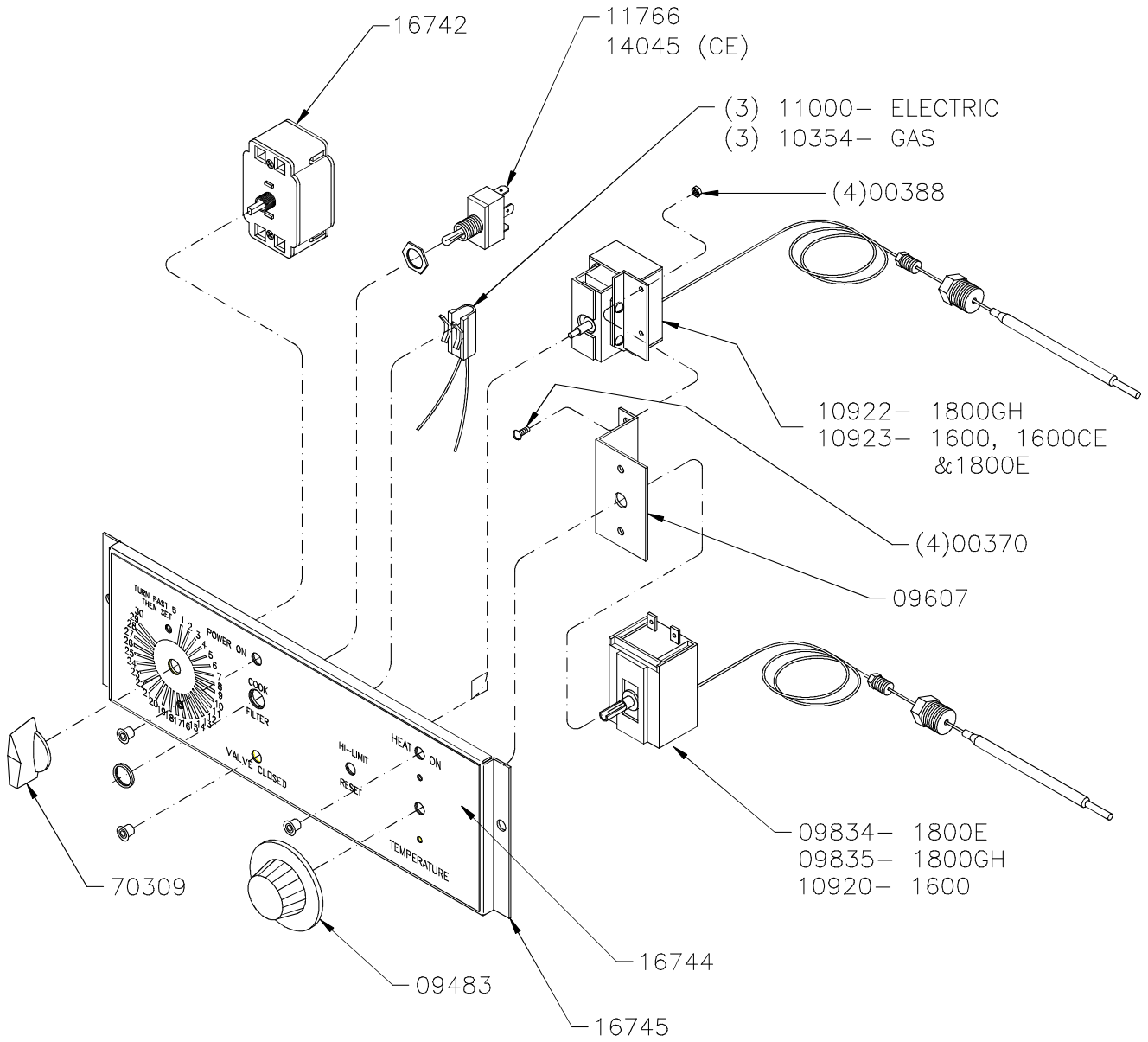
Mechanical Control Panel:



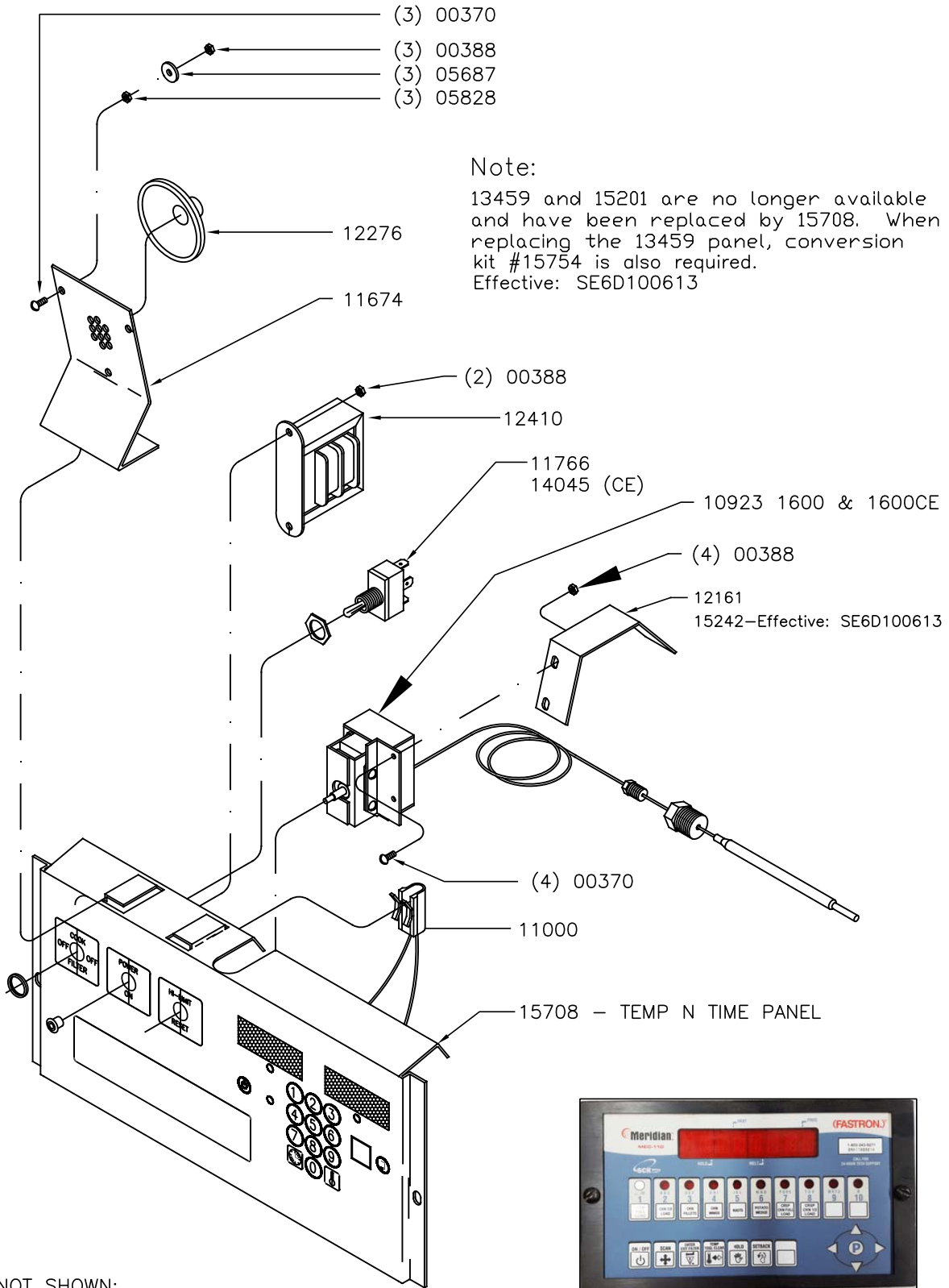
* THESE PARTS ARE NO LONGER AVAILABLE AND ARE REPLACED BY THE FOLLOWING TIMER REPLACEMENT KITS:

- > 16748 TIMER REPLACEMENT KIT FOR 120V GAS PRESSURE FRYERS.
- > 16749 TIMER REPLACEMENT KIT FOR 220V ELECTRIC AND GAS PRESSURE FRYERS.

New mechanical Control Panel:



Model 1600 Solid State Control Panel:



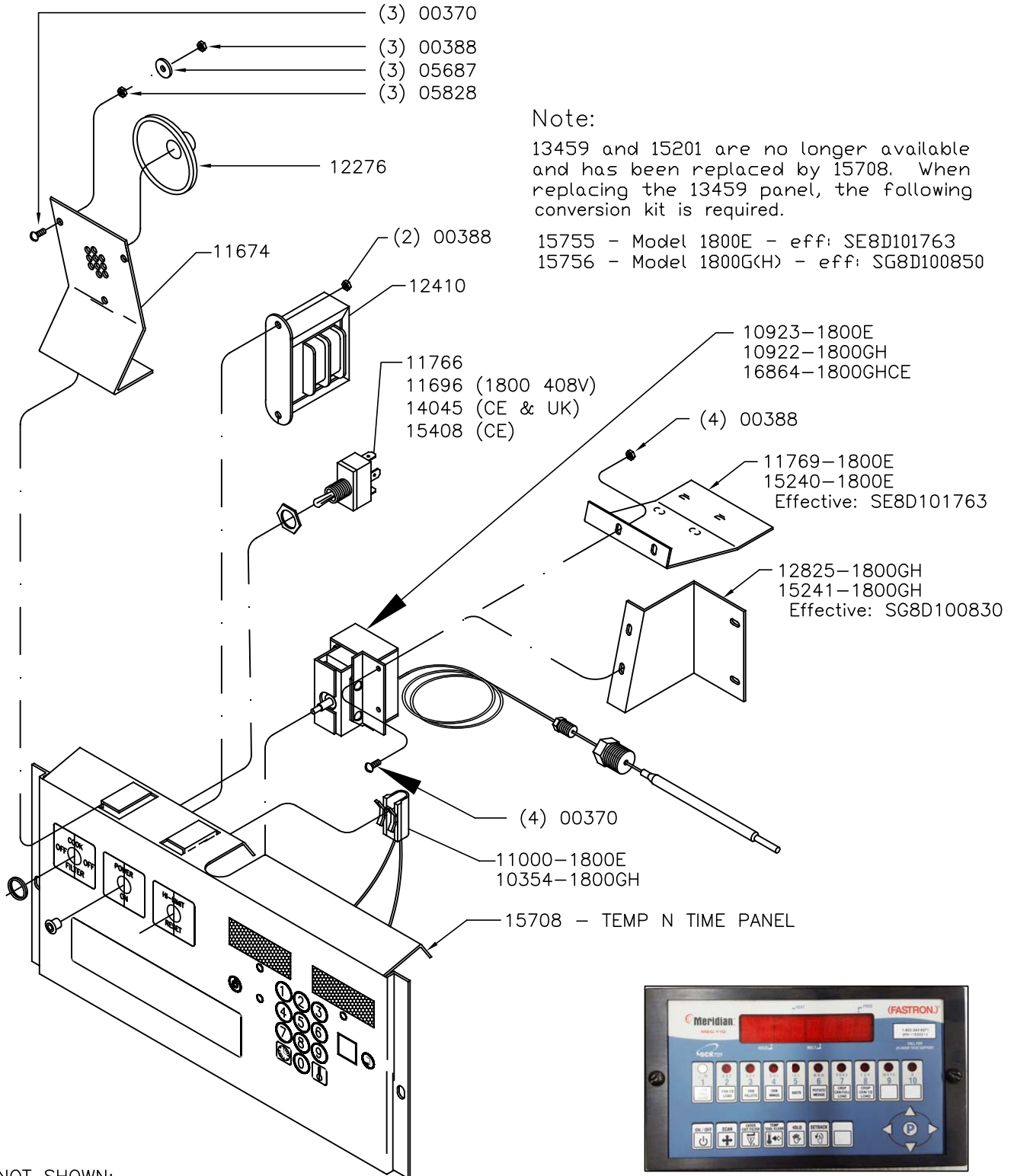
NOT SHOWN:

- 17700—TEMP. SENS. PROBE—1600
- 11743—MALE CONNECTOR
- 11744—HEX BUSHING
- 14217—TEMP. SENS. PROBE — 1600 UK ONLY



17013 — USED IN UK ONLY

Model 1800 Solid State Control Panel:



Note:

13459 and 15201 are no longer available and has been replaced by 15708. When replacing the 13459 panel, the following conversion kit is required.

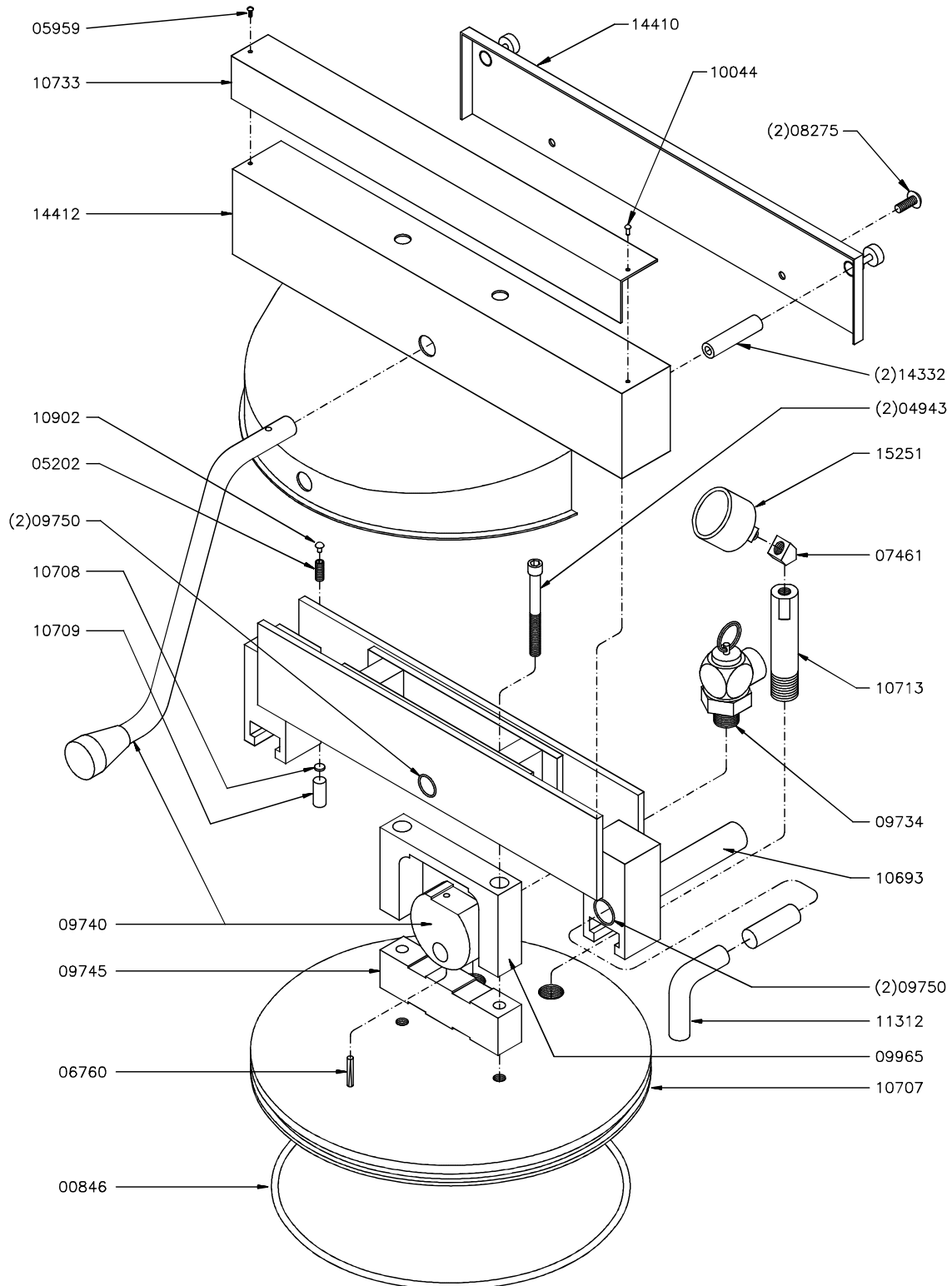
- 15755 - Model 1800E - eff: SE8D101763
- 15756 - Model 1800G(H) - eff: SG8D100850

NOT SHOWN:

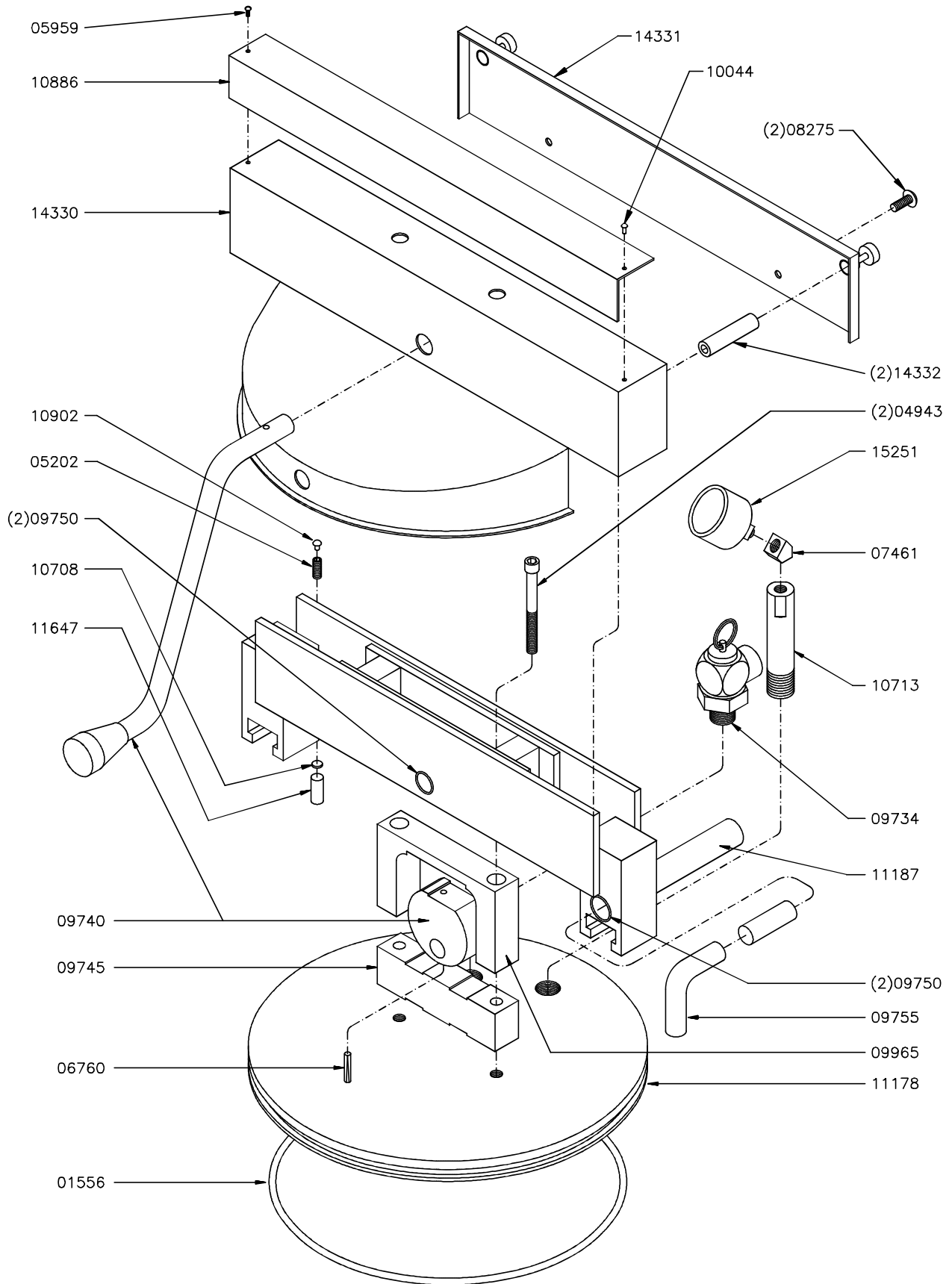
- 17701-TEMP. SENS. PROBE-1800E
- 17702-TEMP. SENS. PROBE-1800GH
- 11743-MALE CONNECTOR
- 11744-HEX BUSHING
- 14013-TEMP. SENS. PROBE-1800GH UK ONLY
- 14111-TEMP. SENS. PROBE-1800E UK ONLY

4 - COVER AND YOKE GROUP

Model 1600:

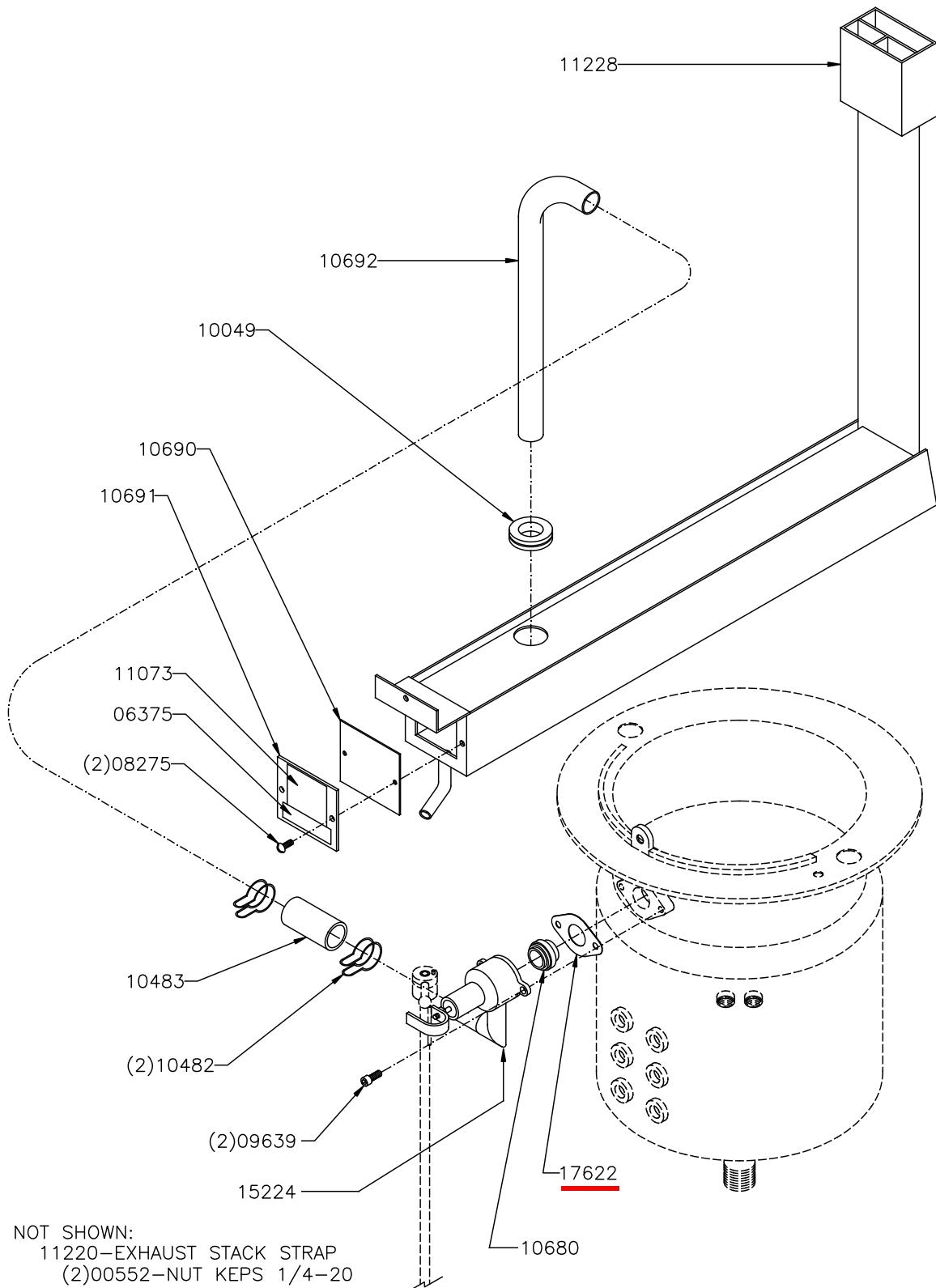


Model 1800:

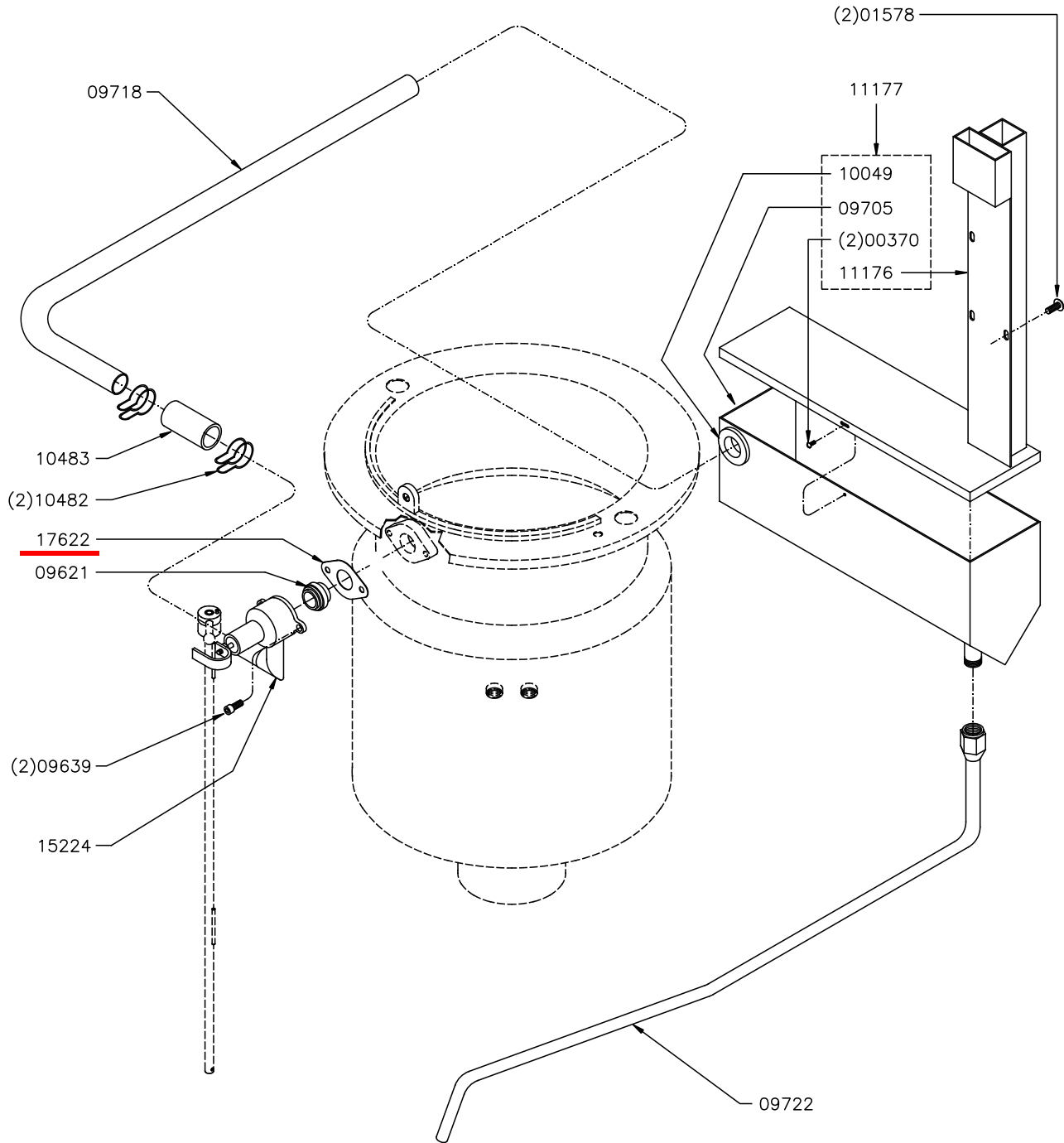


5 - PRESSURE AND EXHAUST SYSTEM

Model 1600:



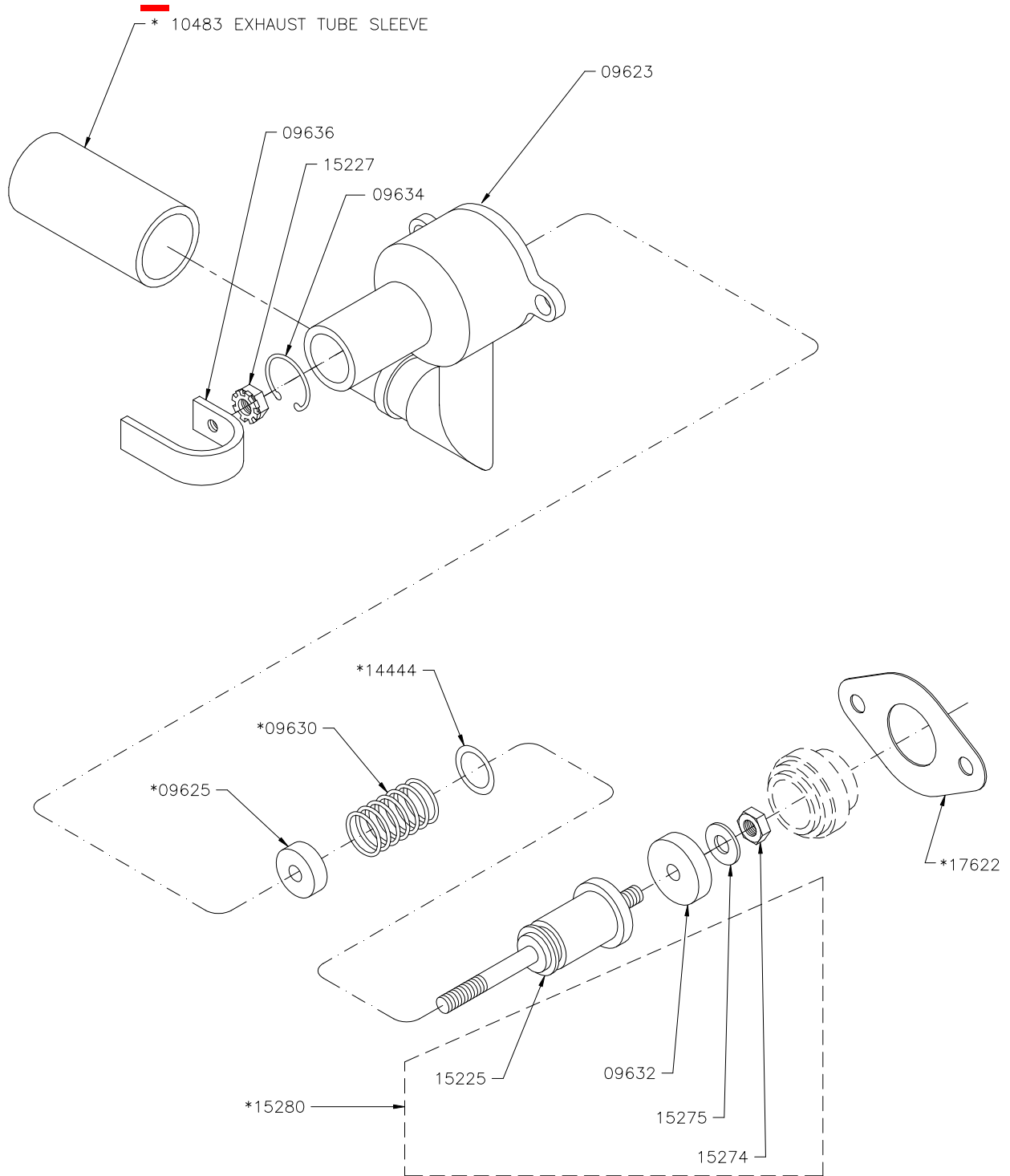
Model 1800:



**THIS PAGE
INTENTIONALLY
BLANK**

Effective: SE6D100613
SE8D101763
SG8D100830

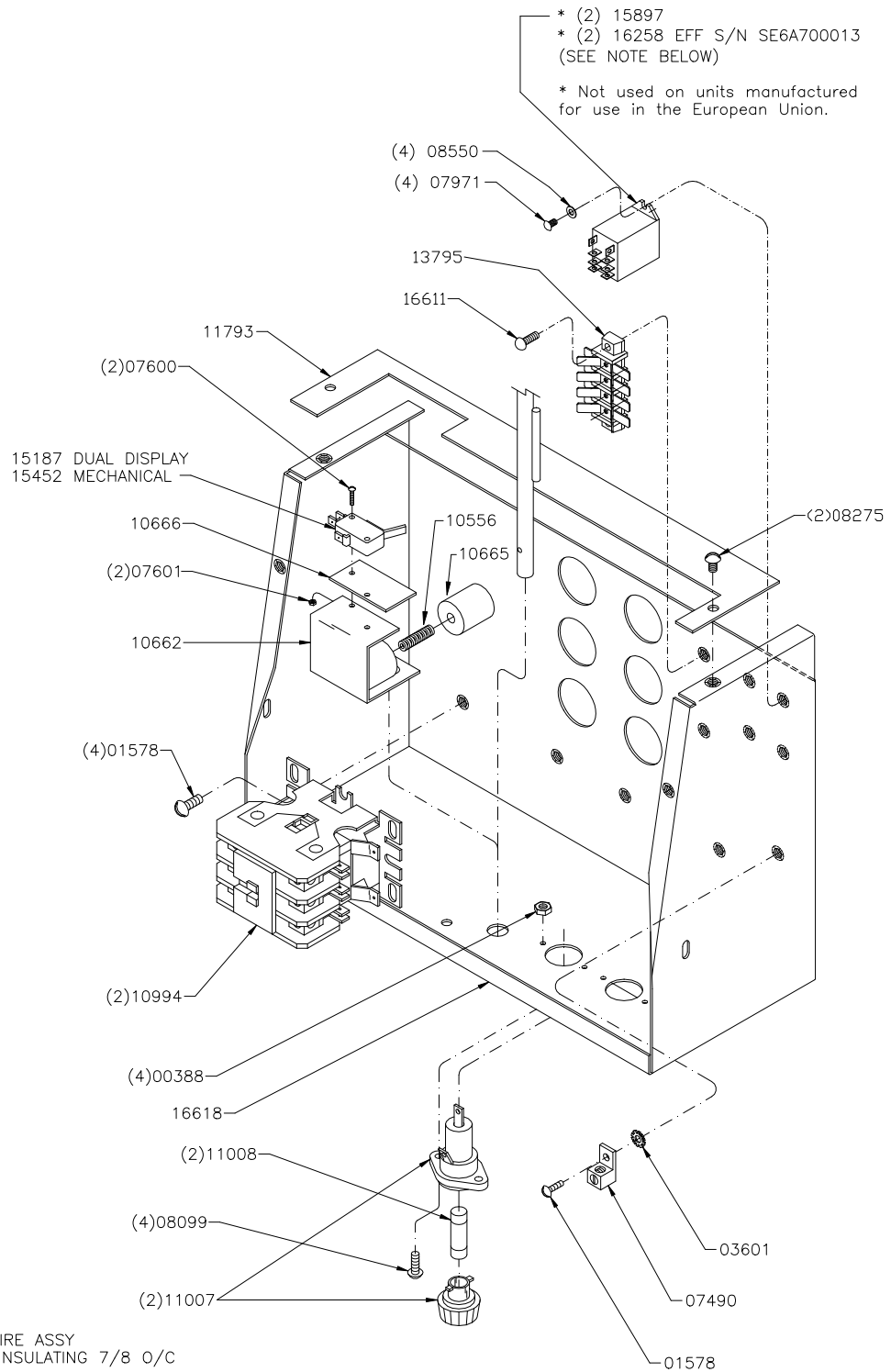
COMPLETE VALVE ASSEMBLY 15224
GASKET 17622 SOLD SEPARATELY



*=INCLUDED IN #15279 PRESSURE VALVE REPAIR KIT

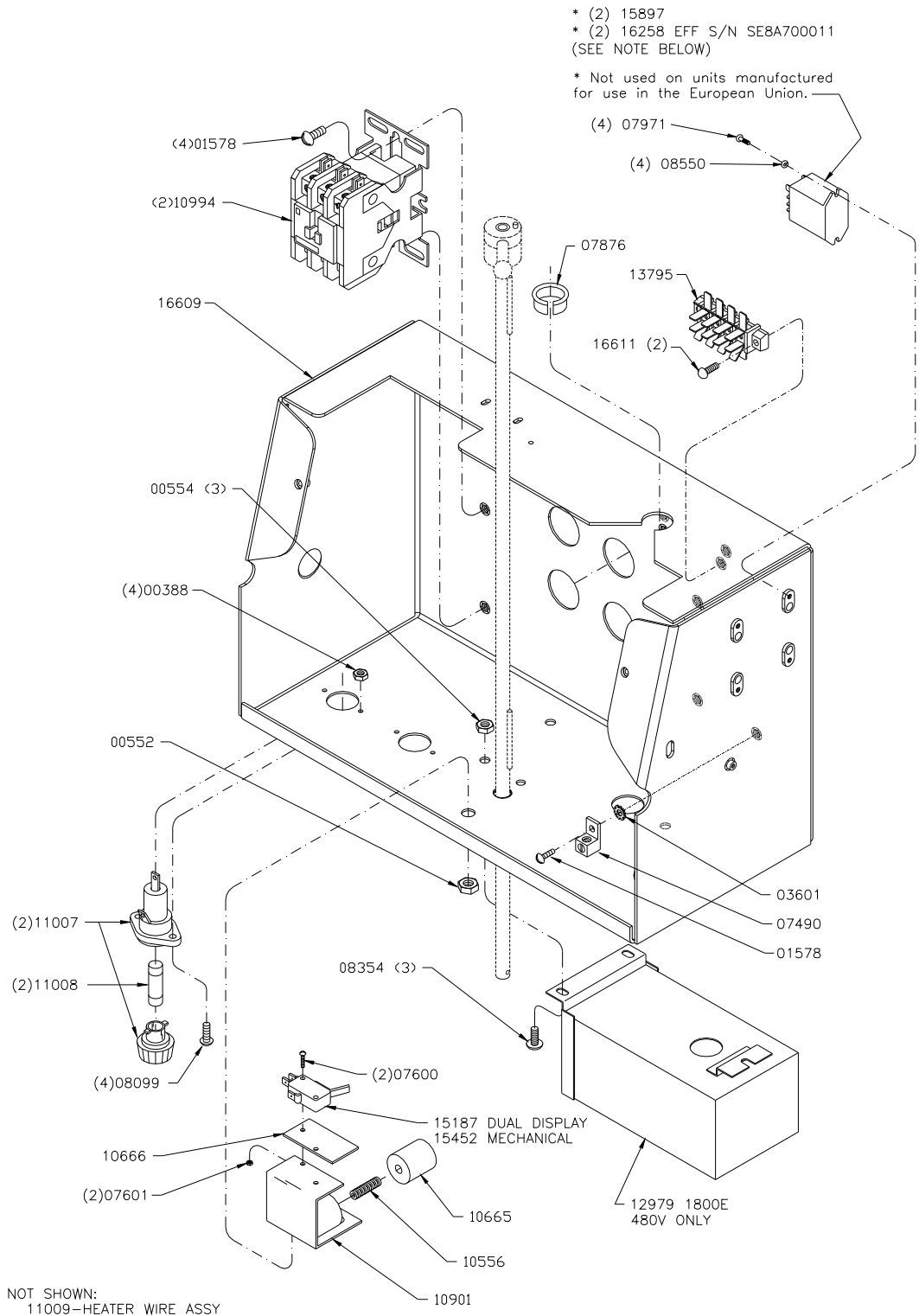
7 - POWER INPUT BOX

Model 1600 & 1600CE:



NOTE: WHEN REPLACING OLDER STYLE RELAY #10119, RETROFIT MOUNTING PLATE #16107 MUST BE USED. (2) #6-32 x .5" FLAT HEAD SCREWS & (2) #00388 NUTS ARE ALSO NEEDED FOR MOUNTING.

Model 1800E & 1800ECE:

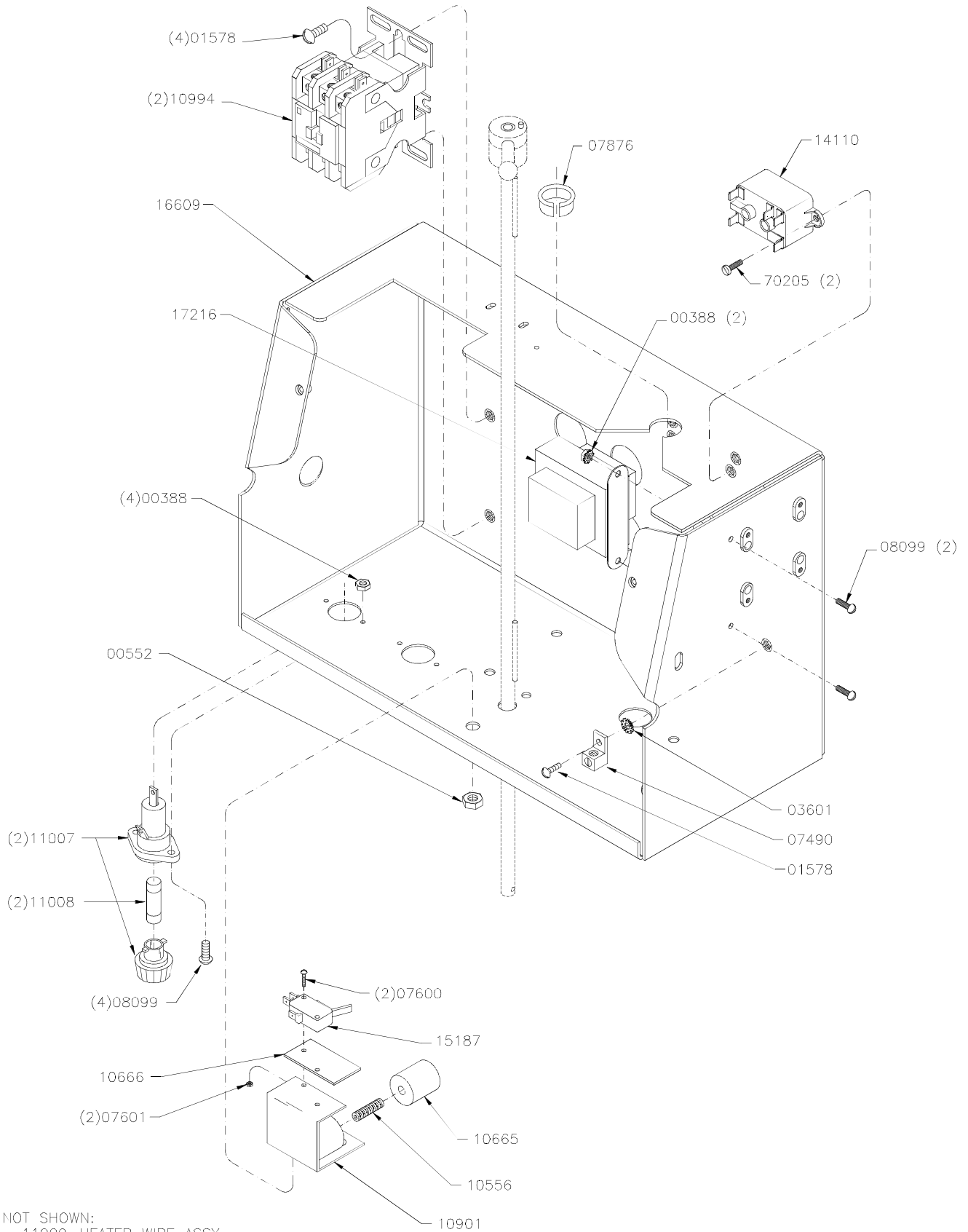


* (2) 15897
 * (2) 16258 EFF S/N SE8A700011
 (SEE NOTE BELOW)
 * Not used on units manufactured
 for use in the European Union.

NOT SHOWN:
 11009-HEATER WIRE ASSY

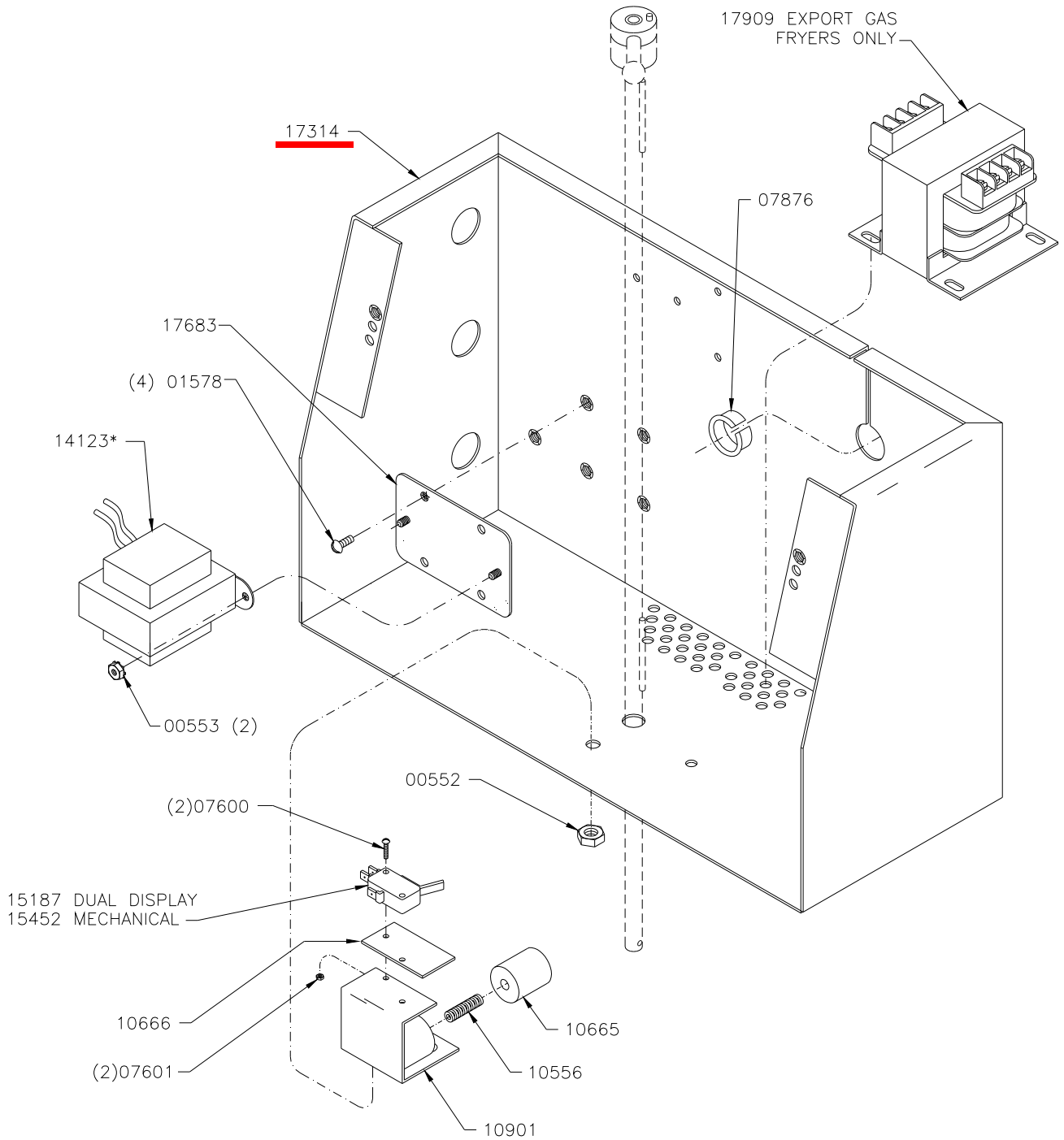
NOTE: WHEN REPLACING OLDER STYLE RELAY #10119, RETROFIT MOUNTING PLATE #16107
 MUST BE USED. (2) #6-32 X .50" FLAT HEAD SCREWS & (2) #00388 NUTS ARE ALSO NEEDED FOR
 MOUNTING.

Model 1800EUK:



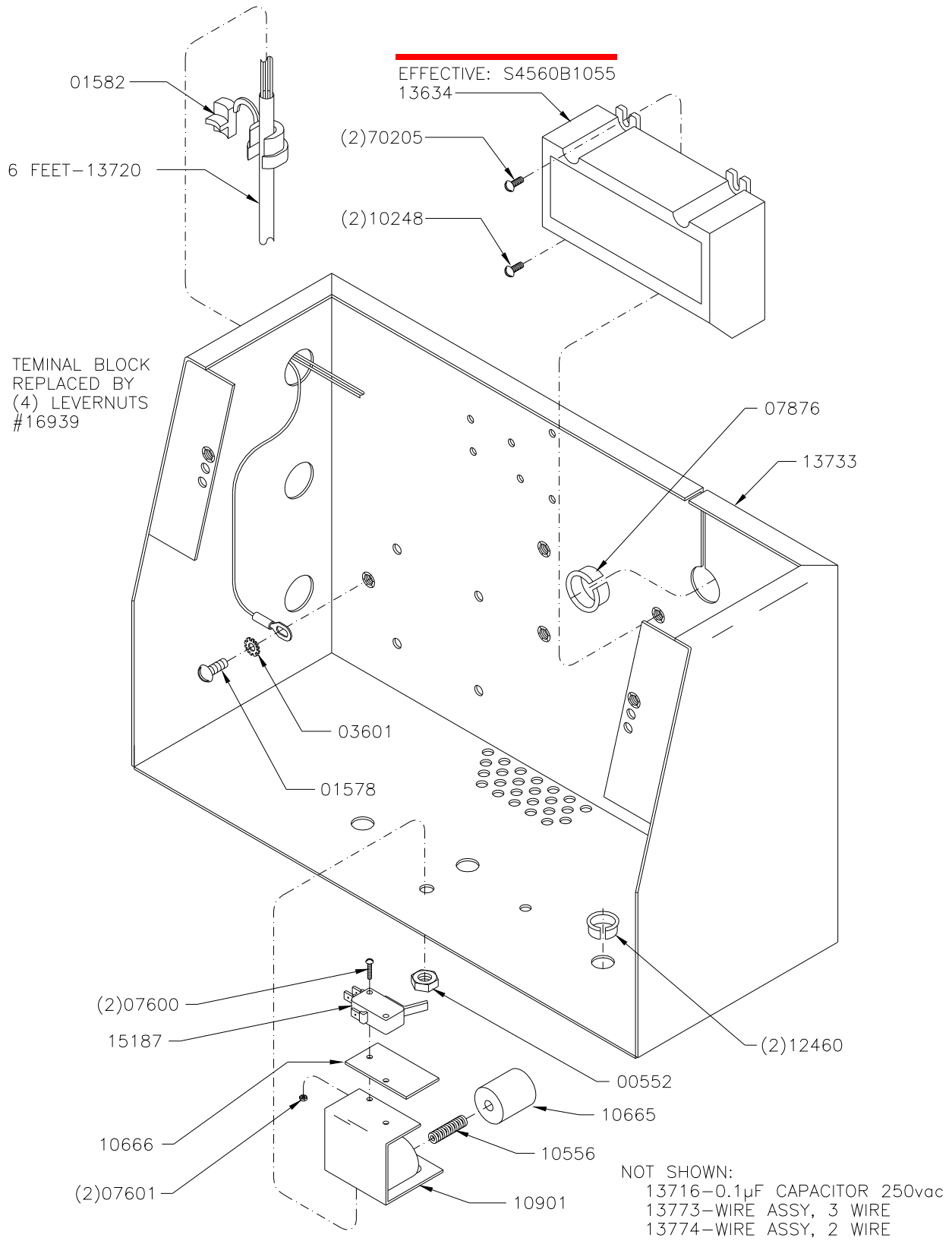
NOT SHOWN:
11009-HEATER WIRE ASSY

Model 1800GH:

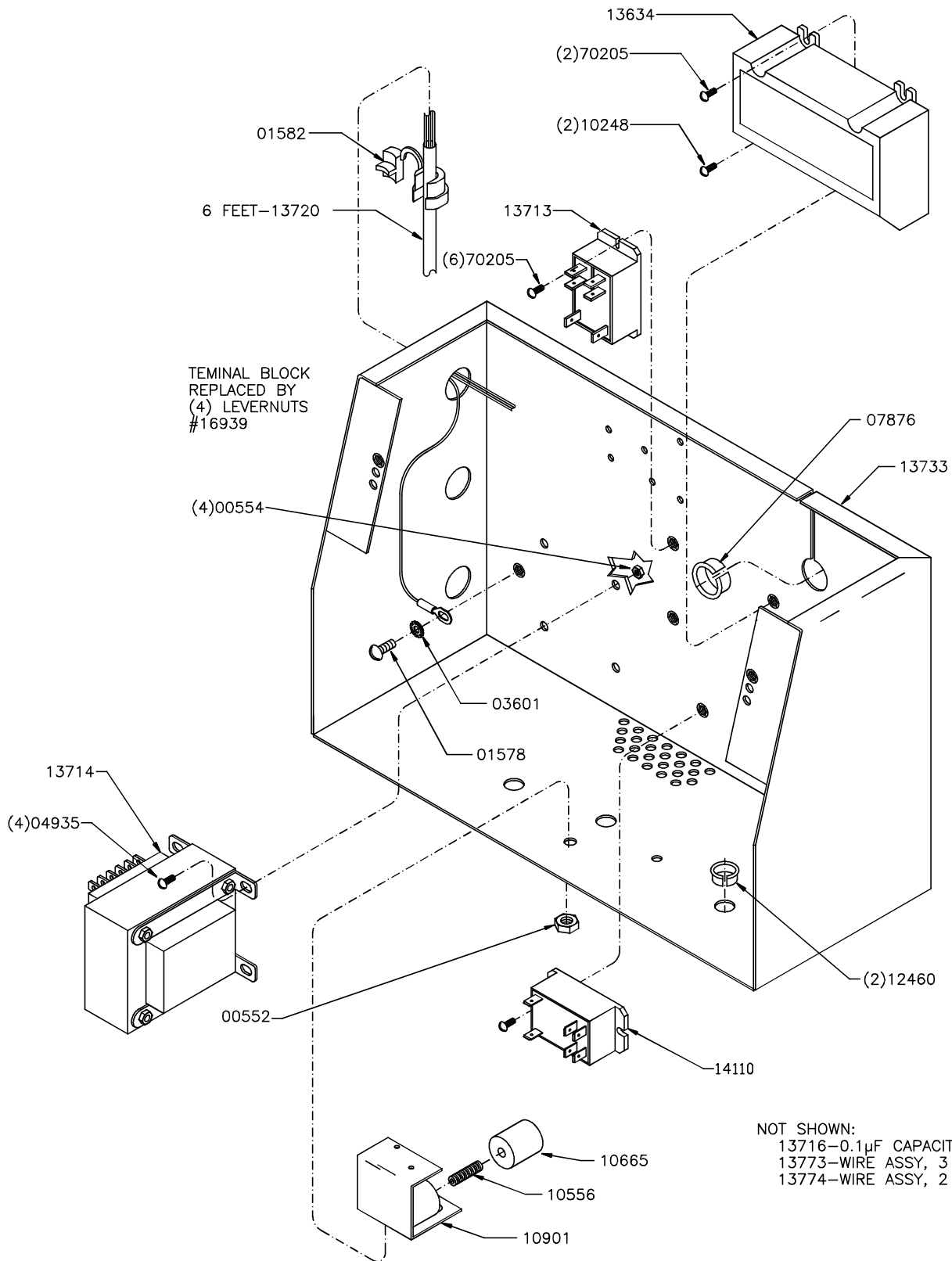


* IF TRANSFORMER IS NOT DAMAGED. USE WIRE ASSEMBLY REPLACEMENT KIT #17152 TO REPLACE WIRES.

Model 1800GHCE:

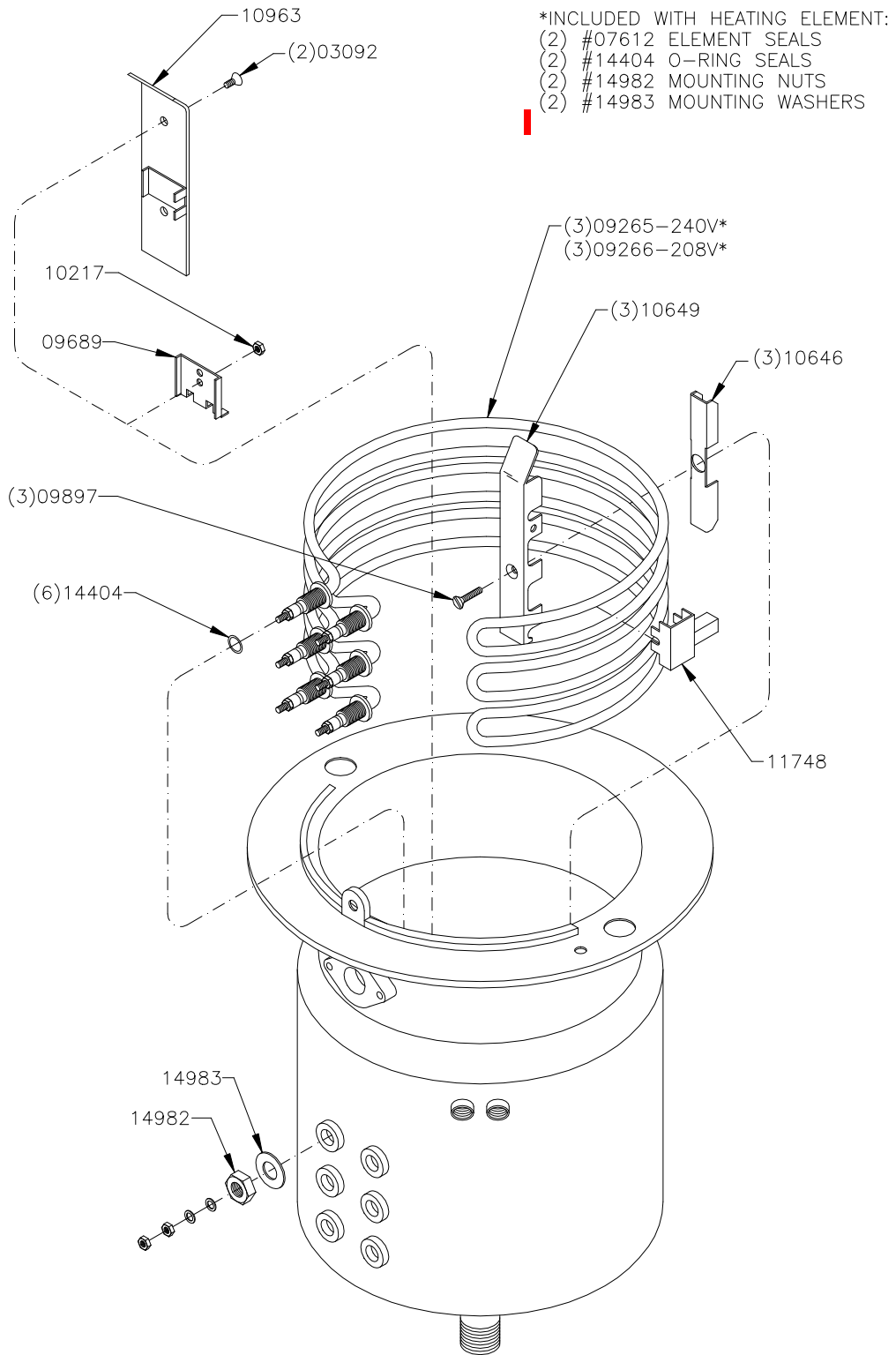


Model 1800GHUK: for the United Kingdom



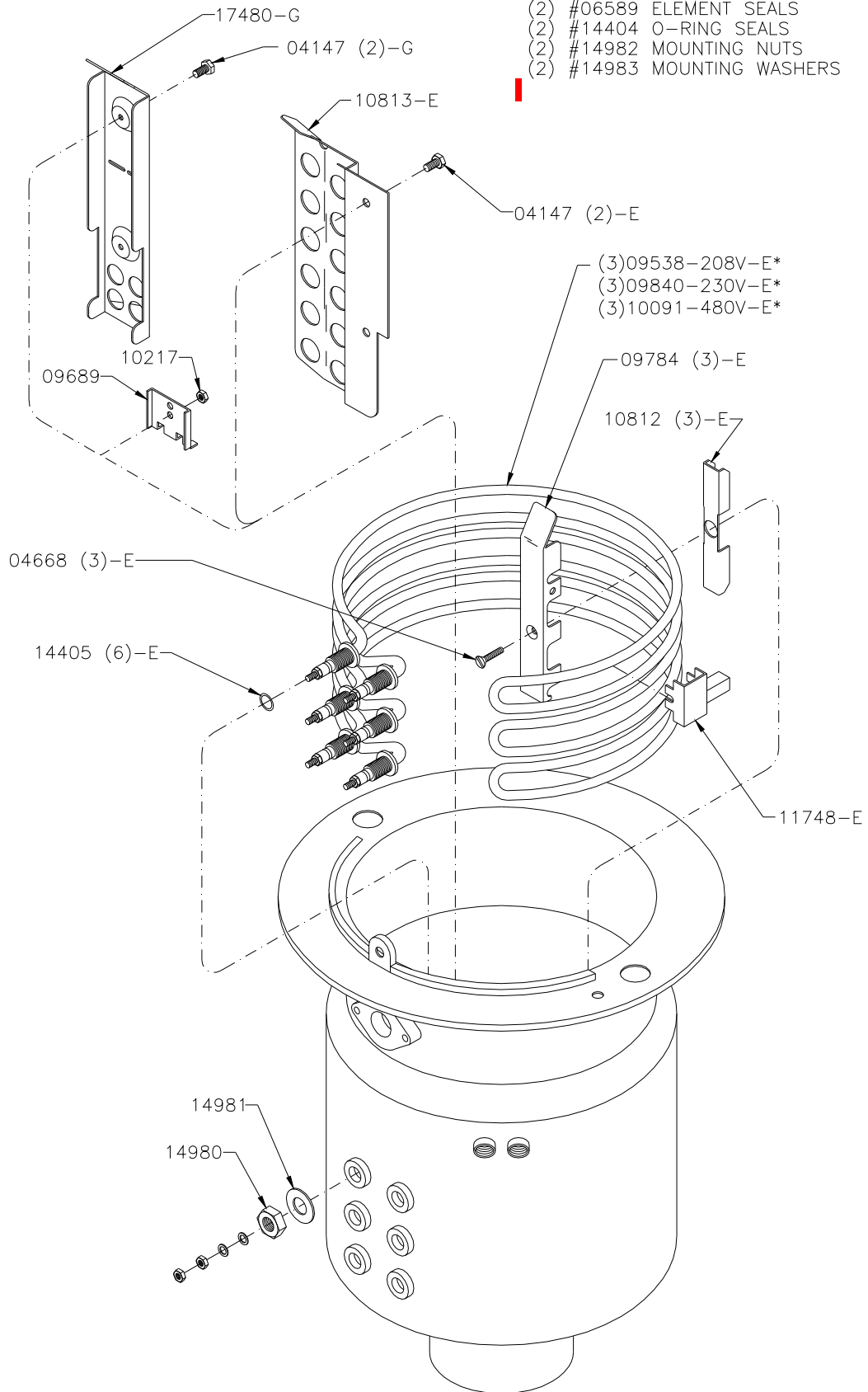
8 - COOKING WELL PARTS

Model 1600:



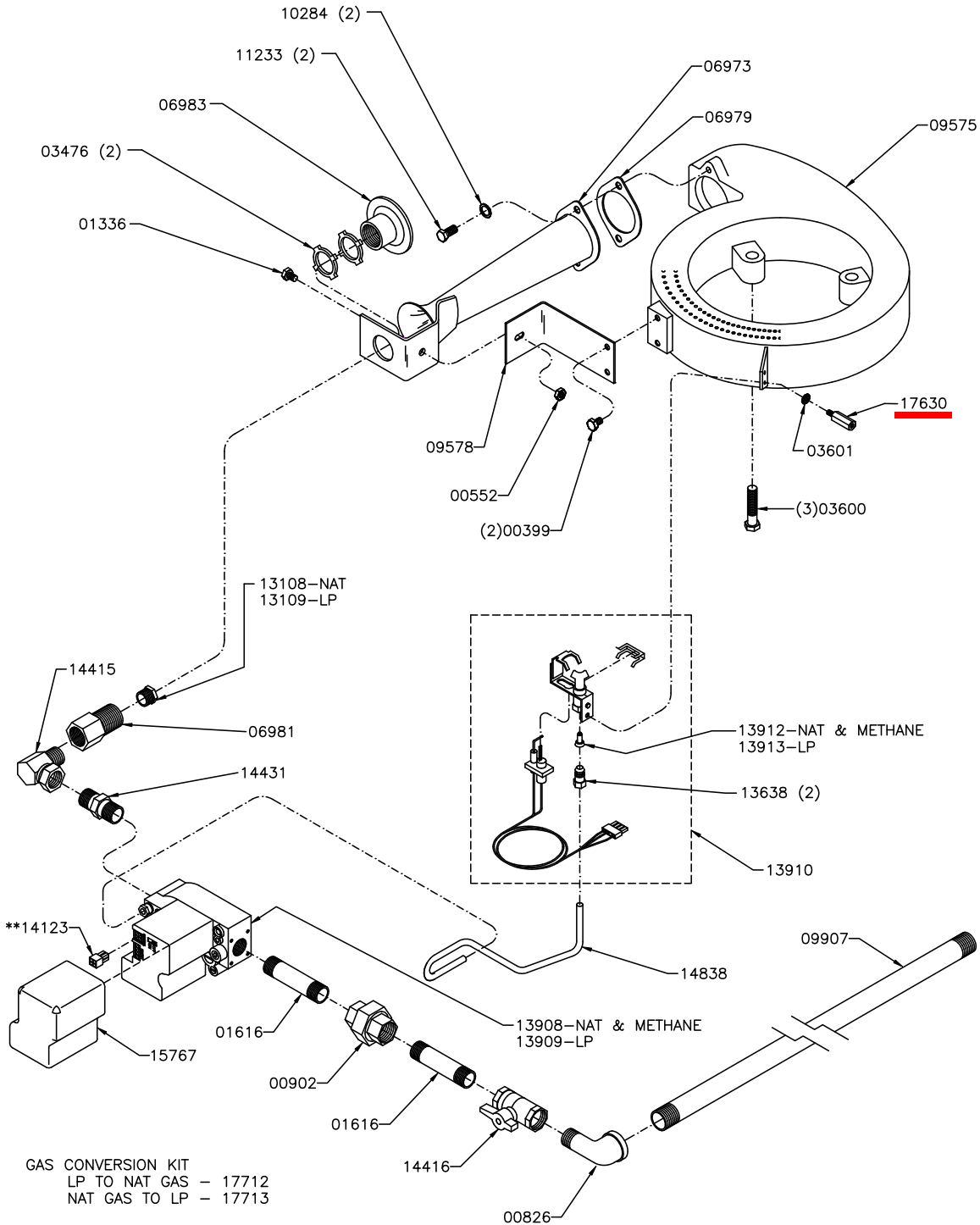
Model 1800:

*INCLUDED WITH HEATING ELEMENT:
 (2) #06589 ELEMENT SEALS
 (2) #14404 O-RING SEALS
 (2) #14982 MOUNTING NUTS
 (2) #14983 MOUNTING WASHERS



9 - 1800GH BURNER ASSEMBLY

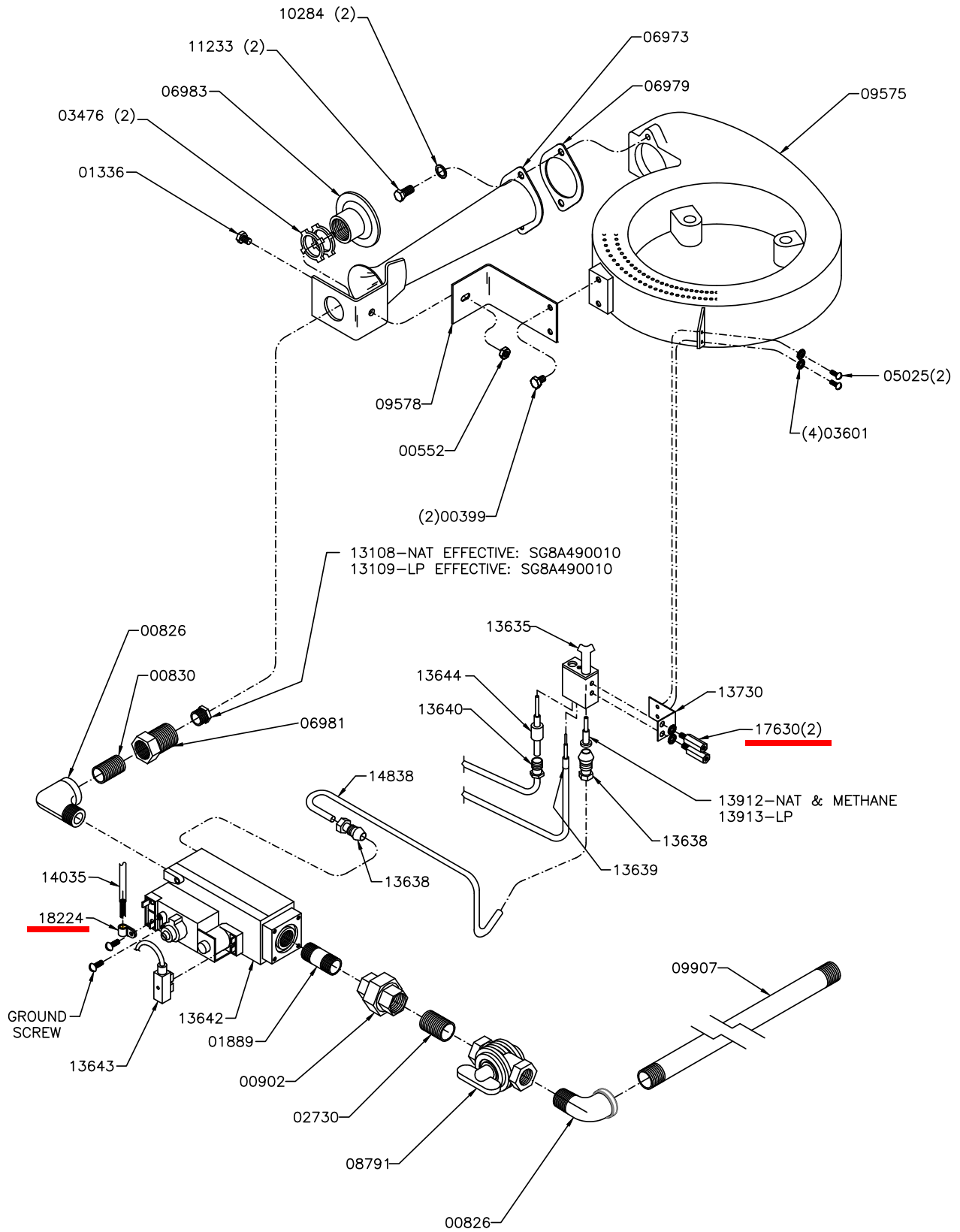
1800GH:



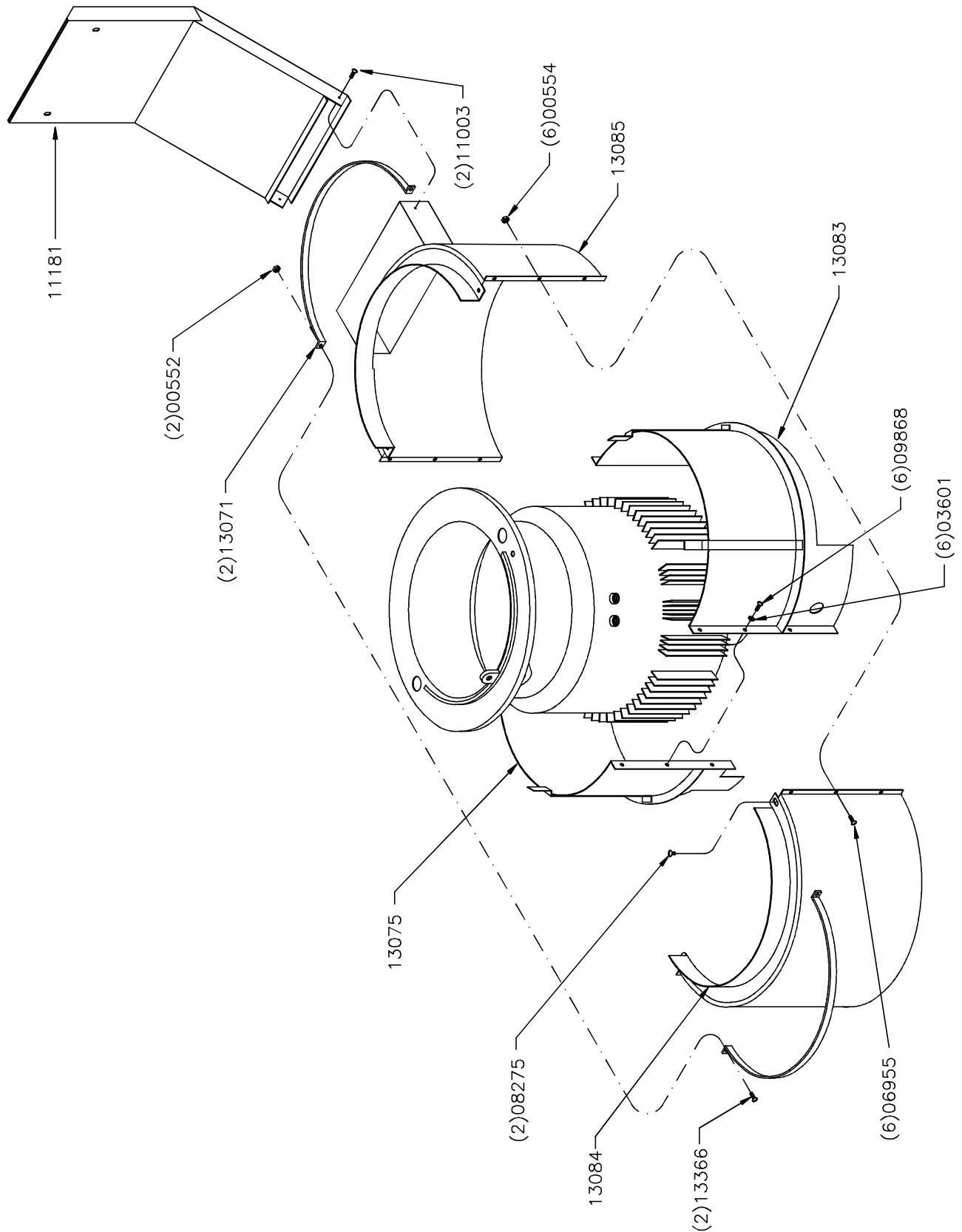
GAS CONVERSION KIT
 LP TO NAT GAS - 17712
 NAT GAS TO LP - 17713

** IF TRANSFORMER IS NOT DAMAGED,
 USE WIRE ASSEMBLY REPLACEMENT KIT
 #17152 TO REPLACE WIRES.

1800GHCE and 1800GHUK:



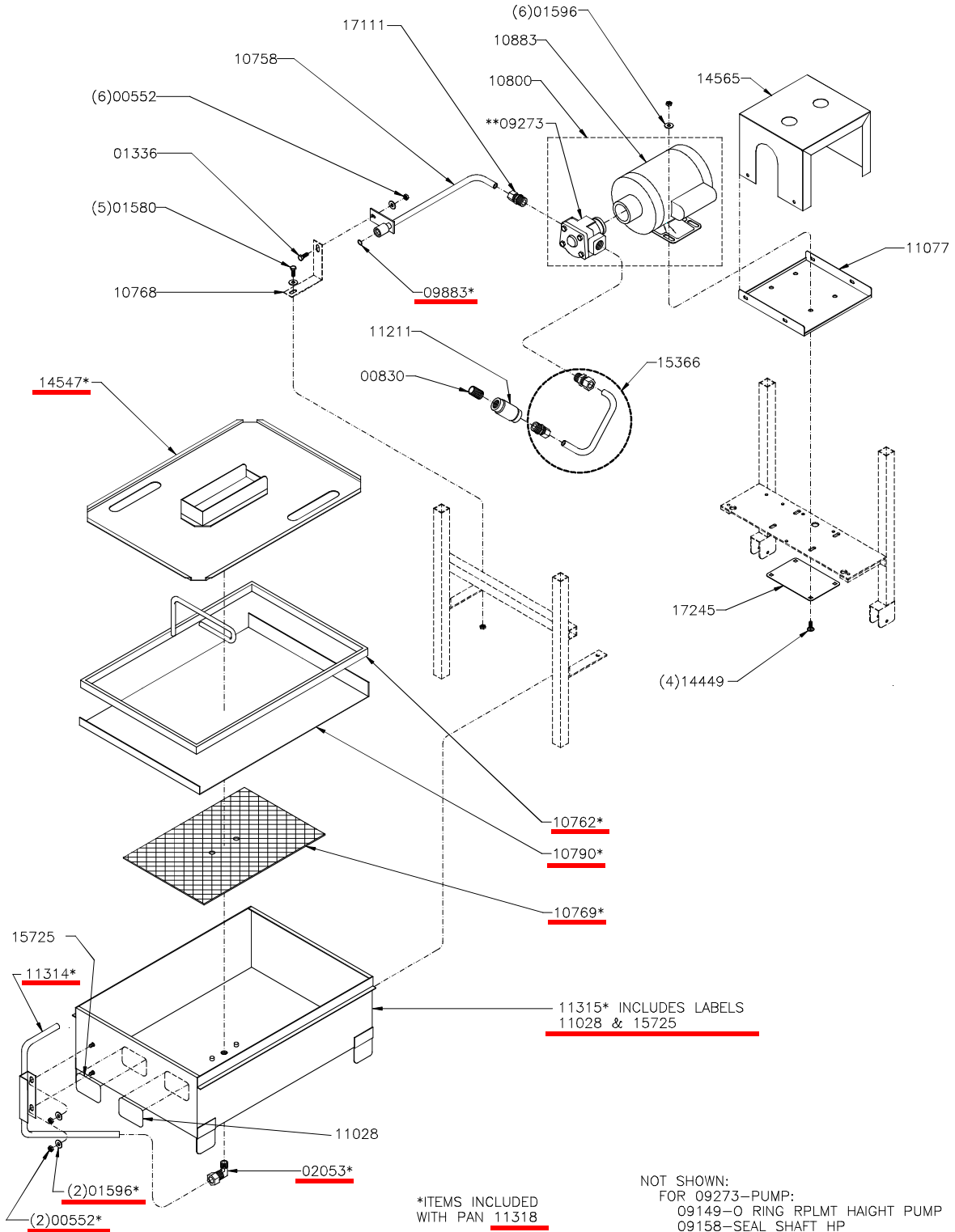
10 - 1800GH COMBUSTION CHAMBER



11 - FILTER SYSTEM

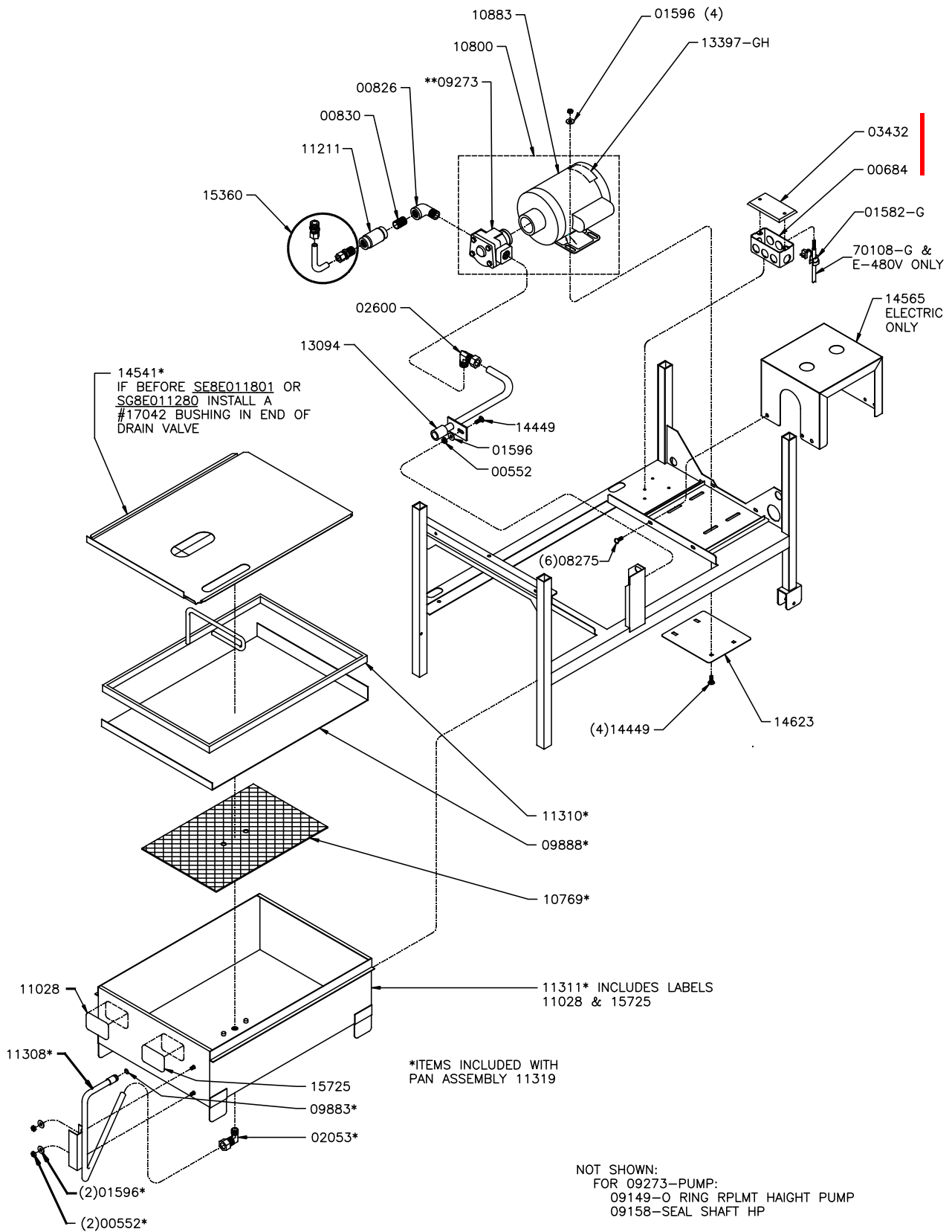
Model 1600:

** THE SQUARE PUMP DIRECTLY REPLACES THE OLDER ROUND PUMP



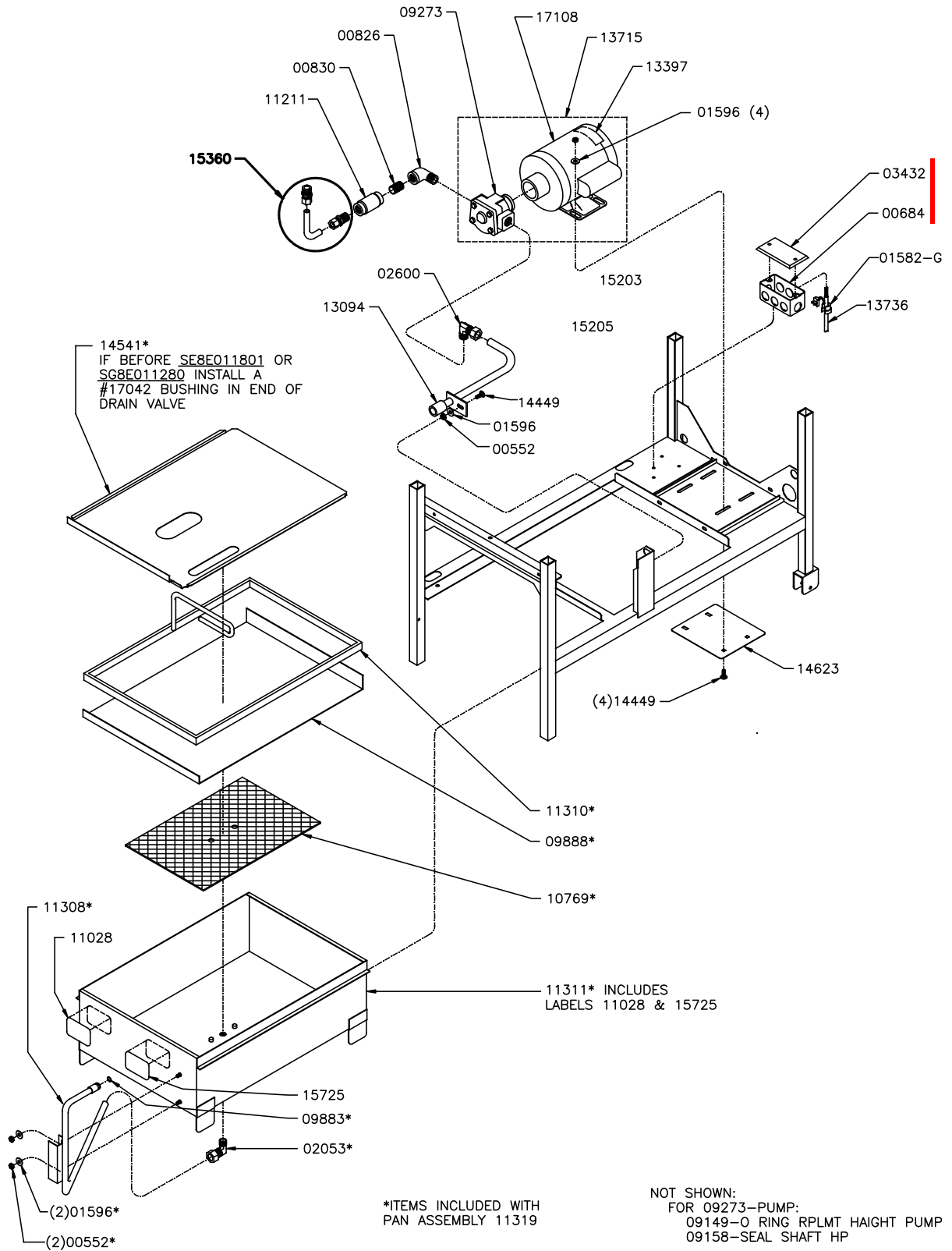
Model 1800E, 1800ECE and 1800GH:

** THE SQUARE PUMP DIRECTLY REPLACES THE OLDER ROUND PUMP

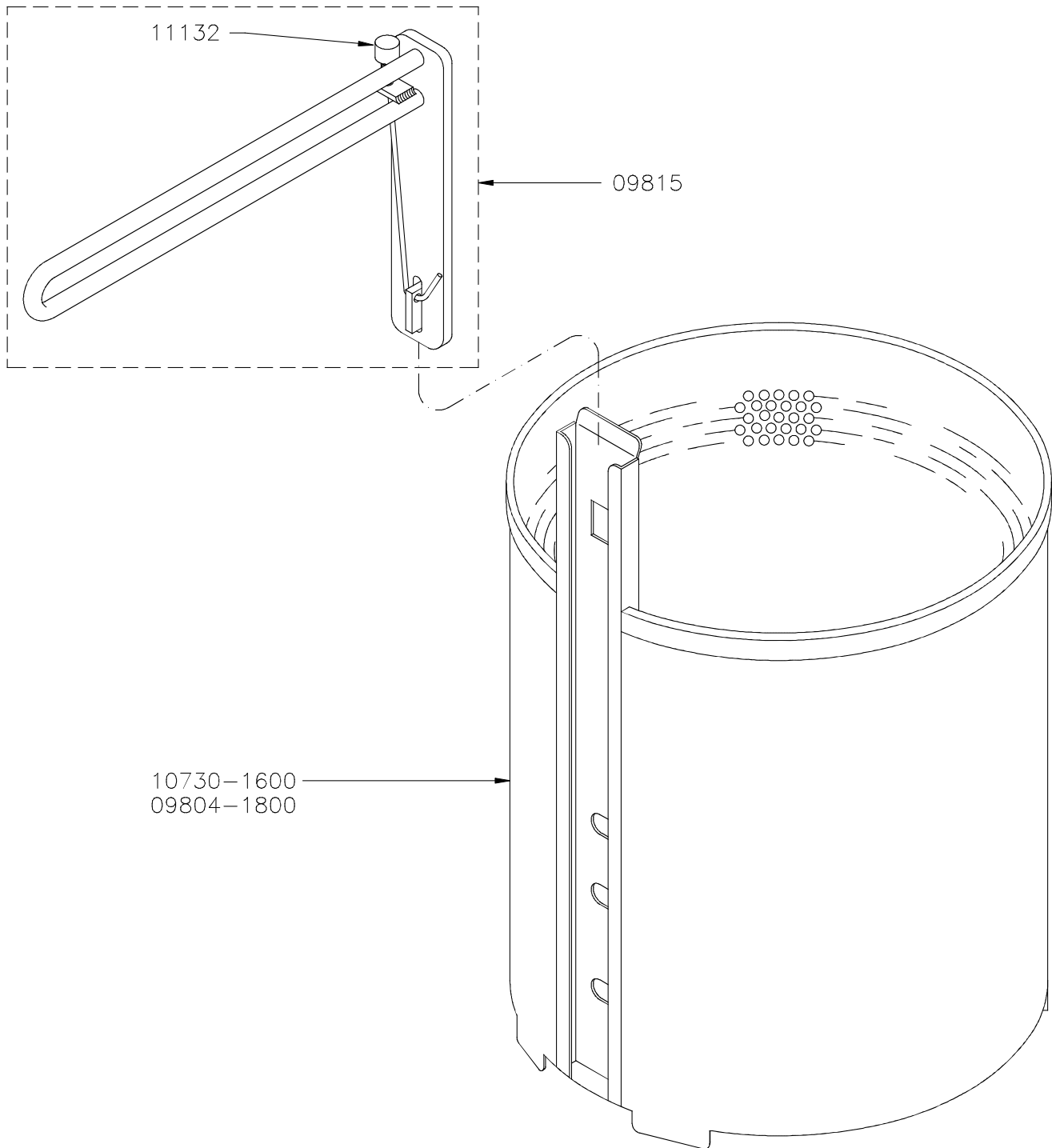


Model 1800GHCE and 1800GHUK:

** THE SQUARE PUMP DIRECTLY REPLACES THE OLDER ROUND PUMP



12 - FOOD BASKET AND LIFTER



13 - Parts List

Part Number	Description	Where Used		
		1600	1800E	1800G
00370	SCREW RD HD #6-32 X .375 SS	3	3	5
00388	NUT KEPS #6-32	12	12	4
00399	SCREW HX HD 1/4-20 X .375			2
00552	NUT KEPS 1/4-20	26	22	31
00554	NUT KEPS #10-32	1	4	13
00826	ELBOW 1/2 X 90 ST			2
00830	NIPPLE 1/2 X CL BLK IRN	1		1
00846	O RING- COVER, 1600	1		
00902	UNION 1/2 NPT			1
01336	SCREW HX HD 1/4-20 X .500		4	6
01556	O RING- COVER, 1800		1	1
01578	SCREW RD HD #10-32 X .500	6	7	8
01580	SCREW HX HD 1/4-20 X .750	2		
01582	BUSHING- STRAIN RELIEF .875"			1
01596	WASHER FLAT 1/4" X .75OD ZP	24	18	22
01616	NIPPLE 1/2 X 2.00" BLK IRN			2
02053	ELBOW 1/2CC X 3/8MPT X 90 PLT	1	1	1
02600	ELBOW 5/8"CC X 1/2"NPT X 90			1
03092	SCREW FL HD 1/4-20 X .500 LOK	2		2
03476	LOCKNUT 3/4 PIPE			2
03600	SCREW HX HD 3/8-16 X 1.750			3
03601	LOCKWASHER #10 EXT TOOTH	3	2	9
04147	SCREW HX HD 1/4-20 X .500 SS	3	2	
04668	SCREW FL HD 1/4-20 X 1.000 SS		3	
04943	SCR SOC HD CS 5/16-18X3 NYLOC	2	2	2
05025	SCREW RD HD #10-32 X .250			1
05202	CUP PT SCREW 5/16-18 X .625	1	1	1
05687	WASHER #10	3	3	3
05828	NUT HEX #6-32 SS	3	3	3
06375	LABEL- VALVE, DRAIN, WARNING	1	1	1
06760	PIN GROOVED	1	1	1
06955	SCREW BUT HD SOC #10-32 X .62			6
06973	MIXER			1
06979	GASKET- MIXER			1
06981	HOLDER- ORIFICE			1
06983	SHUTTER AIR TAPPED			1
07092	SCREW RD HD #6-32 X .375	4	4	4
07461	ELBOW- PLATED	1	1	1
07490	LUG- GROUNDING	1	1	
07600	SCREW RD HD #4-40 X .625	2	2	2
07601	NUT KEPS #4-40	2	2	2

Part Number	Description	Where Used		
		1600	1800E	1800G
7611	GAUGE, PRESSURE	1	1	1
7876	BUSHING- INSULATING 7/8 O/C		1	3
7971	SCREW RD HD #6-32 X .250	4	4	
8099	SCREW RD HD #6-32 X .500	4	4	
8275	SCREW TR HD #10-32 X .375 SS	17	10	16
8550	LOCKWASHER #6 INT TOOTH	4	4	
8696	NIPPLE 1 X 4.50" BLK IRN	1		
9112	SCREW RD HD #6-32 X .625	1	1	1
09149	O-RING REPLMT, HAIGHT PUMP	1	1	1
09158	SEAL- SHAFT, HAIGHT PUMP	1	1	1
9204	WHEEL	2	2	
9205	AXLE	2	2	2
9206	NUT- AXLE	2	2	2
09265	HEATING ELEMENT ASSY- 240V, 2000W	3		
09266	HEATING ELEMENT ASSY- 208V, 2000W	3		
09273	PUMP HAIGHT	1	1	1
9402	LEG REAR (GAS)			2
09483	DIAL- REWORK, THERMOSTAT	1		
9508	COLUMN ANCHOR	2	2	2
9512	SCREW TR HD #10-32 X .625	1	2	1
09538	ELEMENT ASSY- 208V, 3300W		3	
9563	COLUMN LATCH	2	2	2
9567	FOOT	2	2	2
9575	BURNER WELD			1
9578	BRACKET MTG MIXER			1
09607	BRACKET- HI LIMIT MOUNTING	1		
9621	SEAT- VALVE, EXHAUST, 1800		1	1
9623	HOUSING- EXH VALVE, MACHINED	1	1	1
9625	BEARING- OUTER	1	1	1
9630	SPRING- EXH VALVE	1	1	1
9634	RING RETAINING INT	1	1	1
9636	YOKE - CONTROL, EXH VALVE	1	1	1
9639	SCREW SOCHD CAP 1/4-20 X .625	2	2	4
9685	STUD RECEIVER		2	2
9689	BULB PLATE- 1600/1800	1	1	1
9705	TANK WELD- EXHAUST, 1800		1	1
9718	TUBE- EXHAUST, 1800		1	1
9722	LINE ASSY- DRAIN CONDENSATE,		1	1
9734	VALVE- PRESSURE RELIEF, 15PSI	1	1	1
9740	HANDLE & CAM ASSY	1	1	1
9745	SPACER COVER PLATED	1	1	1
9750	BEARNG SLVE .62IDX.75ODX.50LG	4	4	4
9753	LABEL- HANDLE	1	1	1
9755	RAIL- SLIDE, COVER, 1800		1	1
9756	LABEL- PUNCHED, VALVE, 1800	1	1	1

Part Number	Description	Where Used		
		1600	1800E	1800G
09784	GUIDE, BASKET 1800 FORMED		3	
09804	BASKET WELD- 1800 SST STANDARD		1	1
09815	LIFTER ASSY- BASKET	1	1	1
09827	LOGO ELECTRIC		1	
09828	LOGO GAS			1
09840	ELEMENT ASSY- 240V, 3300W		3	
09868	SCREW HX HD #10-32 X .500 SS			6
09872	LINE- RETURN, FILTER, 1800		1	1
09883	O RING- FILTER RETURN FITTING	1	1	1
09886	SPACER WELD- ELEMENT		3	
09888	FILTER PAPER, 818		1	1
09897	SCREW FL HD 1/4-20 X .750	3		
09907	NIPPLE 1/2 X 30.00" BLK IRN			1
09912	SCREW DRIVE #0 X .187 LG	2	2	2
09916	O RING- EXHAUST VALVE HOUSING	1	1	1
09949	INTERLOCK WELD DRAIN VALVE	1	1	1
09965	LIFTER BOX- COVER, 1600/1800	1	1	1
10044	RIVET POP 1/8 DIA X .265 LG	3	5	5
10049	GROMMET 1" ID X 1 3/4" OD	1	1	1
10217	NUT KEPS #10-32 S.S.	1	1	1
10248	SCREW RD HD #8-32 X .750		2	2
10284	LOCKWASHER 5/16 EXT. TOOTH SS	2	1	3
10482	CLAMP WIRE 1 3/16 DIA	2	2	2
10483	SLEEVE SILICONE	1	1	1
10556	SPRING COMPRESSION	1	1	1
10633	FRAME- PAINTED, 1600, REAR	1		
10634	PANEL- SIDE, 1600	2		
10646	SPACER ELEMENT	2		
10649	GUIDE, BASKET FORMED 1600	3		
10650	VALVE- DRAIN, BALL, 1"	1	1	1
10652	HANDLE WELD- DRAIN, 1600	1		
10662	PLUNGER GUIDE WELD DETENT	1		
10666	INSULATOR- MICRO SWITCH	1	1	1
10674	COVER INTERLOCK WELD	1	1	1
10677	BUTTON PIN	1	1	1
10680	SEAT- VALVE, EXHAUST, 1600	1		
10690	GASKET MUFFLER	1		
10691	COVER MUFFLER	1		
10692	TUBE- EXHAUST, 1600	1		
10693	YOKE BAR WELD- 1600	1		
10707	COVER- 1600	1		
10708	WASHER- BEARING	1	1	1
10709	BEARING- PLUG, YOKE-1600	1		
10713	MANIFOLD PRESSURE GAUGE	1	1	1
10716	PLATE- MTG, CONTROL	1		

Part Number	Description	Where Used		
		1600	1800E	1800G
10730	BASKET WELD- 1600 SS.	1		
10733	PLATE- DANGER, PUNCH & FORM	1		
10758	LINE WELD- SUCTION, 1600	1		
10762	HOLD DOWN FILTER PLATED	1		
10768	BRACKET MTG SUCTION LINE	1		
10769	SCREEN FILTER	1	1	1
10770	LINE- RETURN, FILTER, 1600	1		
10790	FILTER PAPER, 616	1		
10800	PUMP & MOTOR- HAIT/LEES	1	1	1
10807	HANDLE WELD- DRAIN, 1800		1	1
10813	GUARD- CAPILLARY, 1800E		1	
10883	MOTOR W/MANUAL RESET SERVICE	1	1	
10886	PLATE- DANGER, FORMED		1	1
10900	LABEL- WARNING, CONDENSATE	1		
10902	PLUG- HOLE	3	3	3
10920	THERMOSTAT, 1600	1		
10922	CONTROL- HI LIMIT, 450	1		1
10923	CONTROL- HI LIMIT, 420		1	
10963	GUARD WELD- CAPILLARY, 1600	1		
10993	TIMER- 15 MIN, 240V	1		
10994	CONTACTOR- 50A 208/240V 1800	2	2	
11000	LIGHT- AMBER, 240V	1	1	
11003	SCREW PH HD #6 X .375 TYP A			2
11007	FUSEHOLDER- 15A	2	2	
11008	FUSE- 15A, BUSS TYPE SC	2	2	
11009	WIRE ASSY- HEATER, 1800E	1	1	
11016	BOX WELD- CONTACTOR, 1600	1		
11021	DISPLAY PANEL- PUNCHED	1		
11027	PLATE- SPEC, DOMESTIC	1	1	1
11028	LABEL- FILTER PAN	1	1	1
11073	LABEL- WARNING, FUSE	1	1	
11132	LINKAGE OPERATOR WELD	1		1
11158	COUNTERTOP WELD		1	1
11176	COVER WELD- TANK, 1800			1
11177	TANK ASSY- EXHAUST, 1800		1	1
11178	COVER- 1800		1	1
11181	DUCT WELD			1
11187	YOKE BAR WELD- 1800		1	1
11189	BOX WELD- CONTROL, 1800G			1
11211	VALVE CHECK 1/2"	1	1	1
11220	STRAP- EXHAUST STACK	1		
11228	MUFFLER WELD	1		
11230	COUNTERTOP WELD	1		
11232	FRAME- PAINTED, 1600, FRONT	1		
11233	SCREW HX HD 5/16-18 X .500	2	2	3

Part Number	Description	Where Used		
		1600	1800E	1800G
11308	RISER WELD- HANDLE, 818		1	1
11310	HOLD DOWN FILTER PLATED		1	1
11311	CONTAINER WELD- 1800		1	1
11312	RAIL SLIDE	1		
11314	RISER WELD- HANDLE, 616	1		
11315	CONTAINER WELD- 1600	1		
11320	POINTER KNOB, TIMER	1		
11647	BEARING- PLUG, YOKE-1800		1	1
11674	SPEAKER BRACKET	1	1	1
11743	CONNECTOR- MALE	1	1	1
11744	BUSHING- HX RED .375 X .125	1	1	1
11746	LABEL- VALVE, 1800G FOR AGA			1
11748	GUARD WELD- PROBE, 16/1800E	1	1	
11766	SWITCH- TOGGLE, SPDT	1	1	1
11793	COVER- CONTROL BOX, 1600 SSR	1		
11922	PROBE- FORMED, 1600	1		
11923	PROBE- FORMED, 1800E		1	
12276	SPEAKER- W/WIRE	1	1	1
12410	TRANSFORMER, NCC, FOR SS CONTROL	1	1	1
12460	BUSHING- INSULATING, .50" OD	1	1	1
12790	BUMPER, 1800 COVER	1	1	1
13071	CLAMP, OUTER WALL			2
13075	JACKET WELD- INNER, LEFT			1
13083	JACKET WELD- INNER, RIGHT			1
13084	WALL WELD- OUTER, FRONT 1800G			1
13085	WALL WELD- OUTER, REAR, 1800G			1
13094	LINE WELD- SUCTION, 1800		1	1
13096	WELL WELD- COOKING, 1800G			1
13099	GUARD- CAPILLARY, 1800GH			1
13100	PROBE- FORMED, 1800GH			1
13108	ORIFICE #24 MAIN 1800G NAT			1
13109	ORIFICE #41 MAIN 1800g LP			1
13396	LABEL- TIPPING/SPLASHING			1
13397	LABEL- PUMP RESET			1
13634	MODULE- IGNITION, 1800GHCE			1
13635	BURNER- PILOT, 1800GHCE			1
13636	ORIFICE- PILOT NAT GAS, CE			1
13637	ORIFICE- PILOT, LP, CE			1
13638	FITTING- 1/4" NPT			2
13639	IGNITER ROD, PILOT BURNER, CE			1
13640	FITTING- FLAME SENSOR, CE			1
13642	VALVE- GAS, 1800GHCE			1
13643	WIRE HARNESS, GAS VALVE, CE			1
13644	SENSOR- FLAME, 1800GHCE			1
13704	COVER WELD- TOP BACK, 1800G			1

Part Number	Description	Where Used		
		1600	1800E	1800G
13705	COVER WELD- TOP BACK, 1800E		1	
13713	RELAY- 24VAC, DPST, NO			1
13714	TRANSFORMER, QCK CONN, 1800GUK			1
13715	PUMP & MOTOR- 1800GHCE			1
13718	TERMINAL BLOCK, CE			1
13719	END PLATE W/ FIXING FLANGE			1
13720	CORD- POWER, PVC UNSHIELDED			1
13730	BRACKET, PILOT BURNER, 1800GHCE			1
13733	BOX, WELD, CONTROL, 1800GHCE			1
13908	VALVE- GAS, NAT, SMART			1
13909	VALVE- GAS, LP, SMART			1
13910	BURNER- PILOT, SMARTVALVE			1
13912	ORIFICE- PILOT NAT SMARTVALVE			1
13913	ORIFICE- PILOT LP SMARTVALVE			1
14110	RELAY- 24VDC, DPST, NO			1
14123	WIRE ASSY- GAS VALVE, HSI			1
14330	SHIELD WELD- SPLASH, 1800		1	1
14331	PANEL ASSY- BACK, SPLSH GRD		1	1
14332	SUPPORT- SPLASH SHIELD, 1800	2	2	2
14404	O RING- HEATER SEAL, 1600	6		
14405	O RING- HEATER SEAL, 1800E	1	7	1
14406	WELL WELD- COOKING, 1800E-'98		1	
14407	WELL WELD- COOKING, 1600 - '98	1		
14410	PANEL ASSY- BACK, SPLSH GRD	1		
14412	SHIELD WELD- SPLASH, 1600	1		
14415	FITTING-SWIVEL 1/2FPT - 1/2MPT			1
14416	VALVE- MANUAL, GAS			1
14431	NIPPLE- HEX, 1/2" NPT			1
14444	O RING- PISTON, EXH VALVE	1	1	1
14449	CARRIAGE BOLT 1/4-20 X 3/4"LG.	4	5	5
14541	COVER - FORMED, 1800 FILTER		1	1
14547	COVER WELD, FILTER, 1600	1		
14565	COVER MOTOR	1	1	
14585	FRAME PAINTED- 1800 "99"		1	1
14586	PANEL WELD- CONDENSAT, 1800 99		1	1
14587	PAN WELD- CONDENSATE, 1800 99		1	1
14593	SIDE PANEL L.H. 1800		1	1
14594	SIDE PANEL R.H. 1800		1	1
14613	BUSHING- HX RED 1.00 X .75		1	1
14623	PLATE- MOTOR, CATCH, 1800E 99		1	
14669	NUT - 1" CONDUIT, LOCK		1	1
14684	RAIL- SLIDE, FILTER 1600/99	2		
14686	PAN WELD- CONDENSATE, 1600 99	1		
14688	PANEL WELD- CONDENSAT, 1600 99	1		
14838	LINE- PILOT, CORRUGATED			1

Part Number	Description	Where Used		
		1600	1800E	1800G
14908	PIN- PIVOT, COND PAN, 16/1800	2	2	2
14979	GASKET- POT RIM, 1800		1	1
14993	GASKET- POT RIM, 1600	1		
15187	SWITCH- MINITURE LO VLT/LO AMP	1	1	1
15196	RING- RETAINING, CNTRL ROD	1	1	1
15198	ROD WELD- CNTRL, SEALD, 1800		1	1
15199	ROD WELD- CNTRL, SEALD, 1600	1		
15203	COVER- BOX, FILTER WIRING		1	1
15205	BOX- MODIFIED, FILTER WIRING		1	1
15218	PANEL- FRONT, 1800E, 2K1		1	1
15219	PANEL- FRONT, 1800GH DD, 2K1			1
15220	PANEL- FRONT, 1600, 2K1	1		
15224	VALVE ASSY- EXHAUST, 2K1	1	1	1
15227	NUT KEPS 1/4-20 SS	1	1	1
15239	BOX WELD- CONTACTOR, 1800E 2K1		1	
15240	BRACKET, MOUNTING, HI LIMIT, 1800E2K1		1	
15241	BRACKET- MTG, HI-LIM 1800GH2K1			1
15242	BRACKET- MTG, HI-LIM, 1600 2K1	1		
15279	KIT- REPAIR, REG VALVE, 2K1	1	1	1
15280	SHAFT ASSY, REG VALVE KIT, 2K1	1	1	1
15281	KIT- CONTROL ROD REPLACEMENT, 1600	1		
15282	KIT- CONTROL ROD REPLACEMENT, 1800		1	1
15283	CONN COMP 1/2 OD X 1/2 NPTF	2	2	2
15452	SWITCH, BENT, MINIATURE, 240V	1		
15708	CONTROLLER- TEMP N TIME	1	1	1
15725	LABEL- FILTER PAN		1	1
15754	CONTR. CONV. KIT- 1600	1		
15755	CONTR. CONV. KIT- 1800E		1	
15756	CONTR. CONV. KIT- 1800G(H)			1
15777	LABEL- GAS SPECS			1
15897	RELAY- 208/240VAC, 8A,SPDT	2	2	
16267	PIN- BRIDGE, 1.25" X .105 WIRE	2	1	1
70108	CORD- POWER, 120V			1
70205	SCREW- PH HD, 8-32 X .375 SS			2



Broaster Company
2855 Cranston Road, Beloit, WI 53511-3991
608/365-0193
broaster.com