

# **BROASTER**<sup>®</sup>

EQUIPMENT

## **PARTS MANUAL**

**BROASTER<sup>®</sup> 2400**  
**PRESSURE FRYER**

**Be sure ALL installers read, understand, and have access to this manual at all times.**



Genuine Broaster Chicken<sup>®</sup>, Broasted<sup>®</sup>, Broaster Chicken<sup>®</sup>, Broaster Foods<sup>®</sup>, and Broasterie<sup>®</sup> are registered trademarks. Usage is available only to licensed operators with written authorization from the Broaster Company.

**Broaster Company**  
2855 Cranston Road, Beloit, WI 53511-3991  
608/365-0193 [broaster.com](http://broaster.com)

## FOR YOUR SAFETY

Do not use or store gasoline or other flammable vapors or liquids in the vicinity of this or any other appliance.

**⚠ WARNING** Improper installation, adjustments, alteration, service or maintenance can cause property damage, injury or death. Read the installation, operating and maintenance instructions thoroughly before installing or servicing this equipment.

For the sake of safety and clarity, the following words used in this manual are defined as follows:

**⚠ DANGER** Indicates an imminently hazardous situation which, if not avoided, could result in serious injury or death.

**⚠ WARNING** Indicates a potentially hazardous situation which, if not avoided, could result in serious injury or death.

**⚠ CAUTION** Indicates a potentially hazardous situation which, if not avoided, could result in minor injury, property damage or both.

All adjustments and repairs shall be made by an authorized Broaster Company representative.

If there is a power failure, turn cook/filter switch OFF. On the Model 2400GH, also slide switch on gas valve OFF. DO NOT attempt to operate unit during a power failure.

**⚠ WARNING** Failure to read and understand this manual completely could result in serious injury or death. Be sure ALL operators read, understand and have access to this manual at all times.

**⚠ WARNING** Rags or paper containing cooking oil can catch fire if exposed to heat. Laundering will not remove the oil. Dispose of all oil-soiled papers and rags in a trash container that is in a ventilated area away from all cooking equipment or other heat sources such as direct sunlight.

**⚠ WARNING** If at any time the **POWER ON** light does not turn off when the cook/filter switch is moved to the **OFF** position, disconnect the power to the fryer and contact your local Broaster Company representative for service immediately.

**⚠ WARNING** DO NOT operate unit without filter pan and filter pan cover in its proper position. Filter pan cover must be wiped clean after each filtering cycle. Make sure Pressure Relief Valve and Pressure Gauge ports on bottom of cover are clear of any oil or grease buildup.

**⚠ WARNING** Make sure Pressure Relief Valve and Pressure Gauge ports on bottom of cover are clear of any oil or grease buildup.

**2400GH:** Post, in prominent locations, instructions to be followed in the event that the user smells gas. This information can be obtained from your local gas supplier.

cont'd on next page

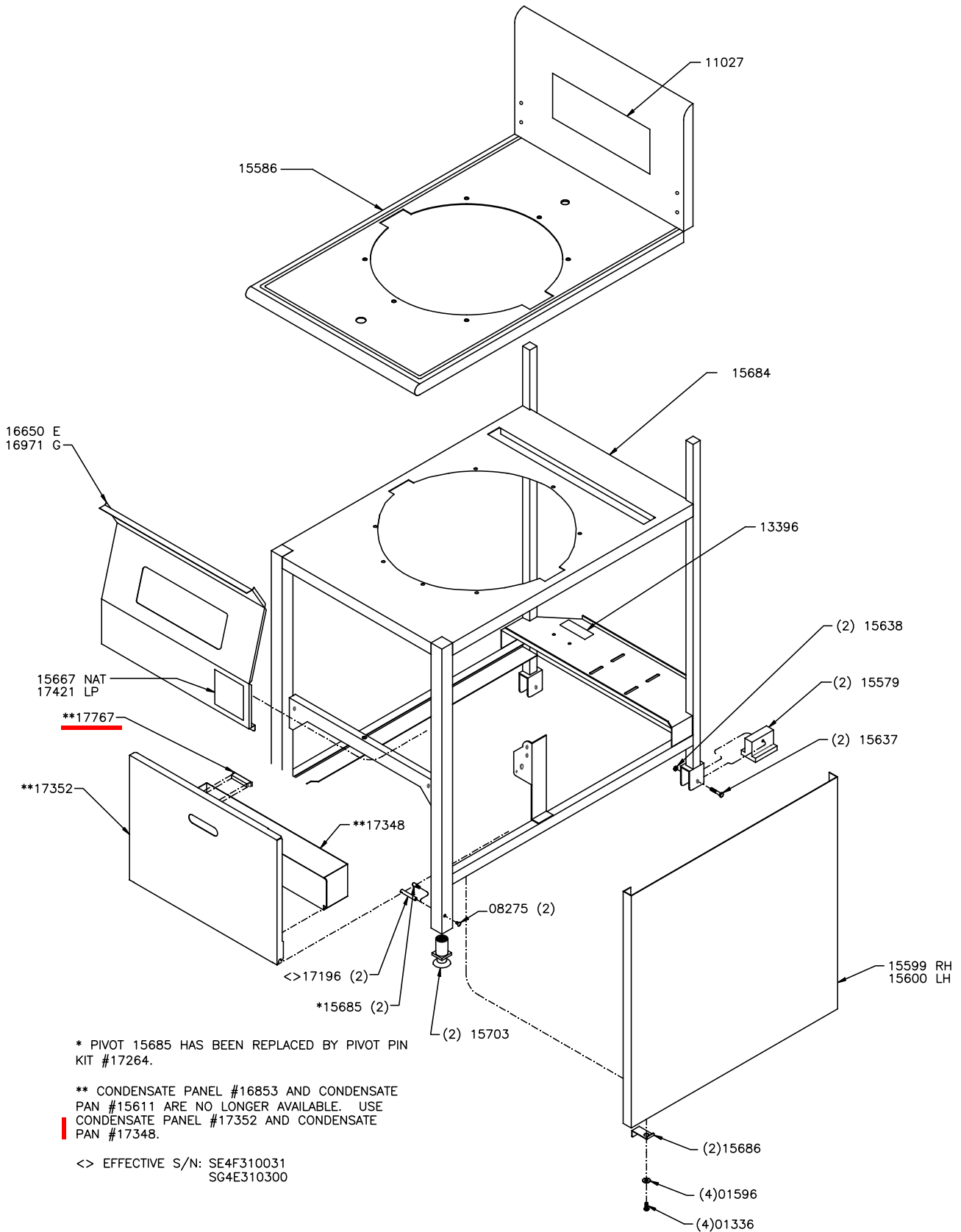
**⚠ WARNING** Make sure a restraining device is used that complies with the Standard for *Commercial Gas Ranges*, ANSI Z83.11/ CSA 1.8 to guard against transmission of strain to the gas connectors.

**⚠ DANGER** Failure to restrain the fryer could allow it to move, causing hot shortening to spill out, or a possible break in the gas line causing an explosive condition.

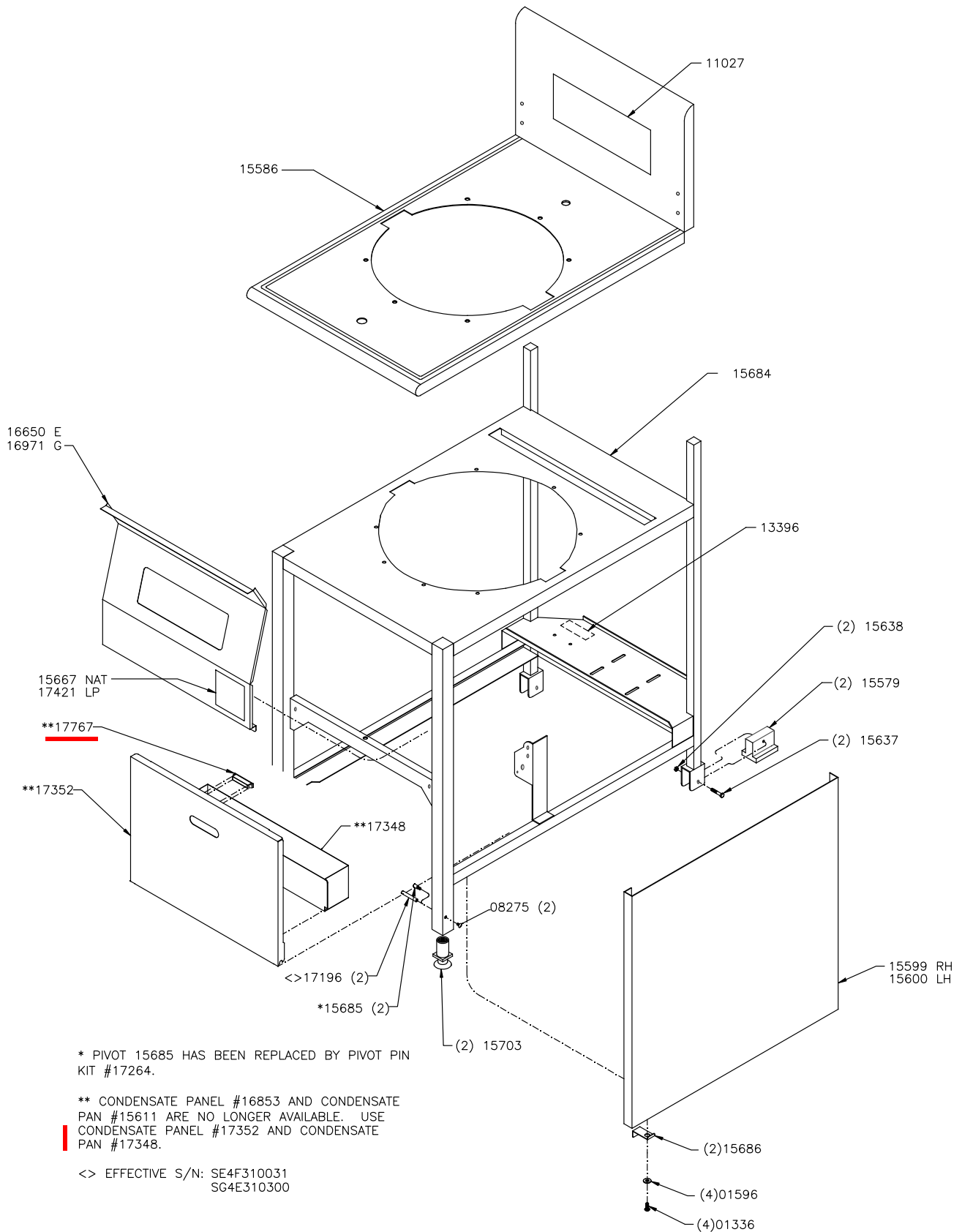
# TABLE OF CONTENTS

<b>1 - OUTER PANELS</b> .....	<b>1 - 1</b>
<b>2 - COOKING WELL GROUP</b> .....	<b>2 - 1</b>
<b>3 - CONTROL PANELS</b> .....	<b>3 - 1</b>
<b>4 - COVER AND YOKE GROUP</b> .....	<b>4 - 1</b>
<b>5 - PRESSURE EXHAUST SYSTEM</b> .....	<b>5 - 1</b>
<b>6 - PRESSURE REGULATING VALVE</b> .....	<b>6 - 1</b>
<b>7 - POWER INPUT BOX</b> .....	<b>7 - 1</b>
2400GH .....	7 - 1
2400GHXP .....	7 - 2
2400GHCE .....	7 - 3
2400GHCE & UL w/FASTRON controller .....	7 - 4
2400E .....	7 - 5
<b>8 - COOKING WELL PARTS</b> .....	<b>8 - 1</b>
2400GH.....	8 - 1
2400E .....	8 - 2
<b>9 - 2400GH BURNER ASSEMBLY</b>	
US & Canada .....	9 - 1
European Union .....	9 - 2
<b>10 - 2400GH COMBUSTION CHAMBER</b> .....	<b>10 - 1</b>
<b>11 - FILTER SYSTEM</b> .....	<b>11 - 1</b>
Electric .....	11 - 1
Electric (Effective SE4C210700) .....	11 - 2
Gas (Effective SG4A500010).....	11 - 3
Gas (Effective SG4H010300) .....	11 - 4
Gas 2400GHCE & 2400GHUK .....	11 - 5
<b>12 - FOOD BASKET</b> .....	<b>12 - 1</b>
<b>13 - PART NUMBER LIST</b> .....	<b>13 - 1</b>

# 1 - OUTER PANELS



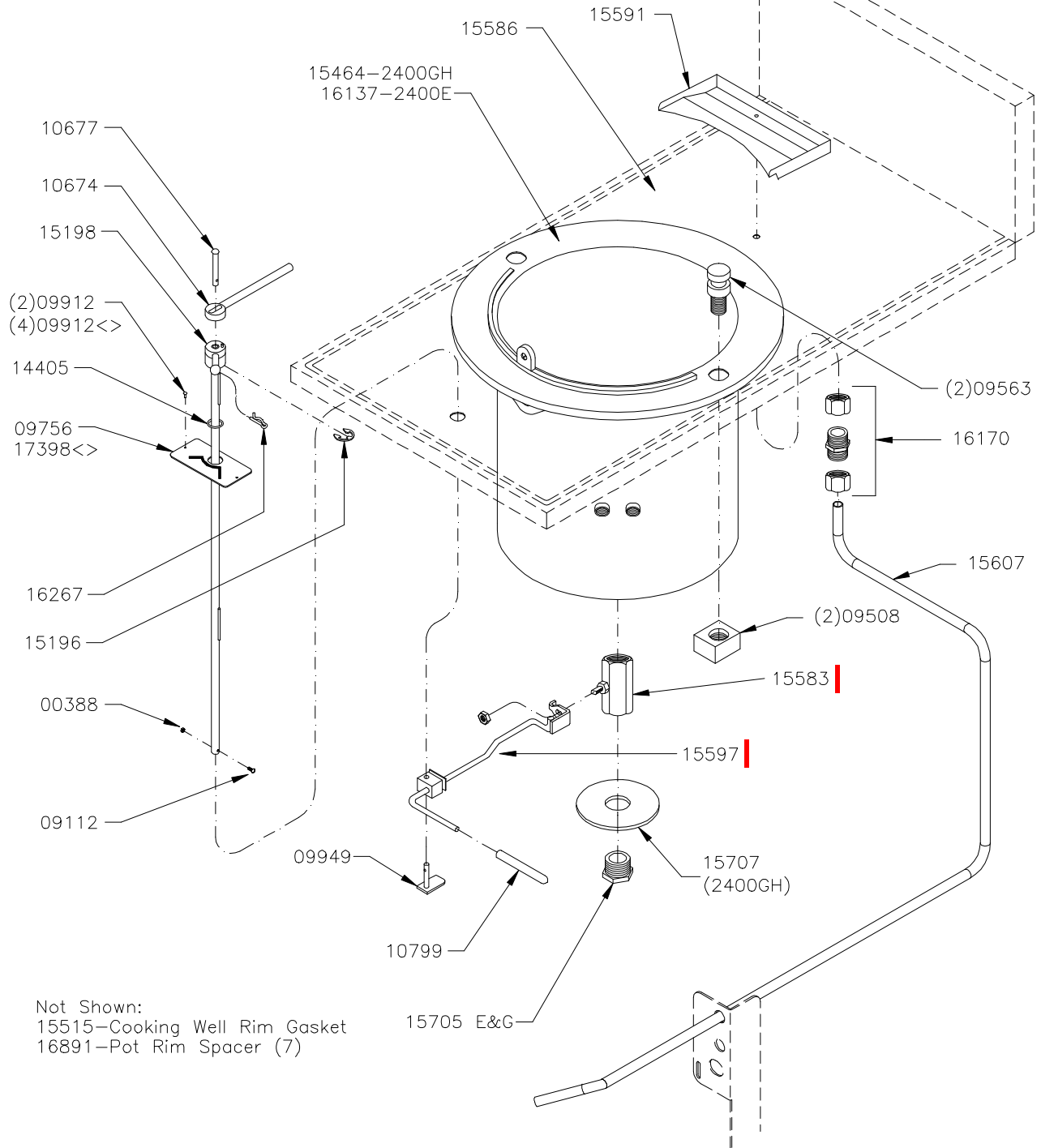
**OUTER PANELS: Effective E24C50  
G24C50**



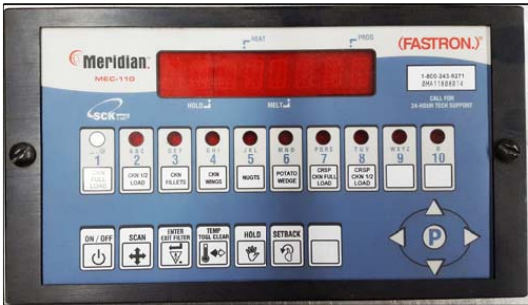
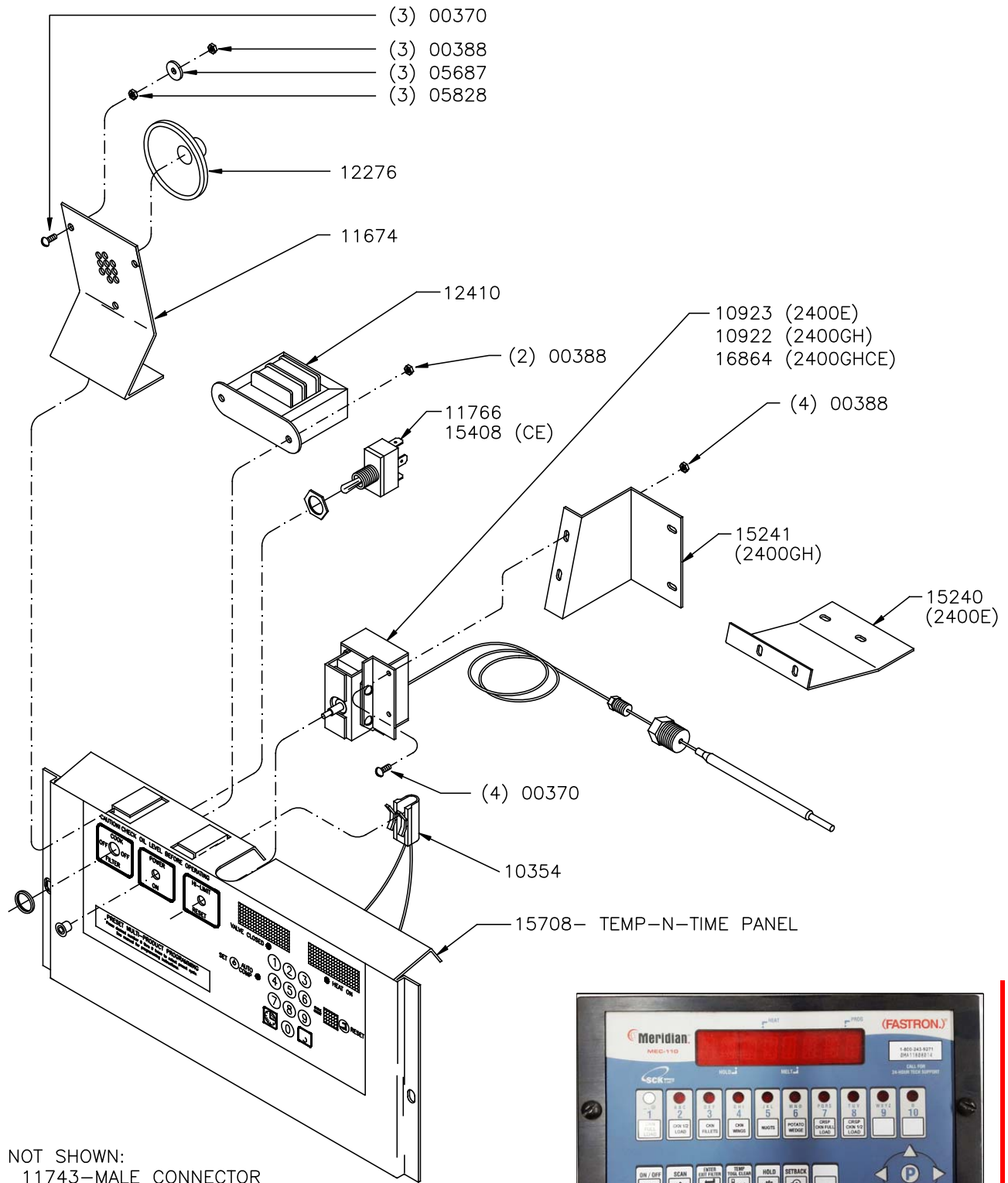
## 2 - COOKING WELL GROUP

<> EFFECTIVE S/N 2400GH – SG4B510090  
 2400E – SE4H51019M

<1> EFFECTIVE S/N TE4H81024D, TG4H81130Y

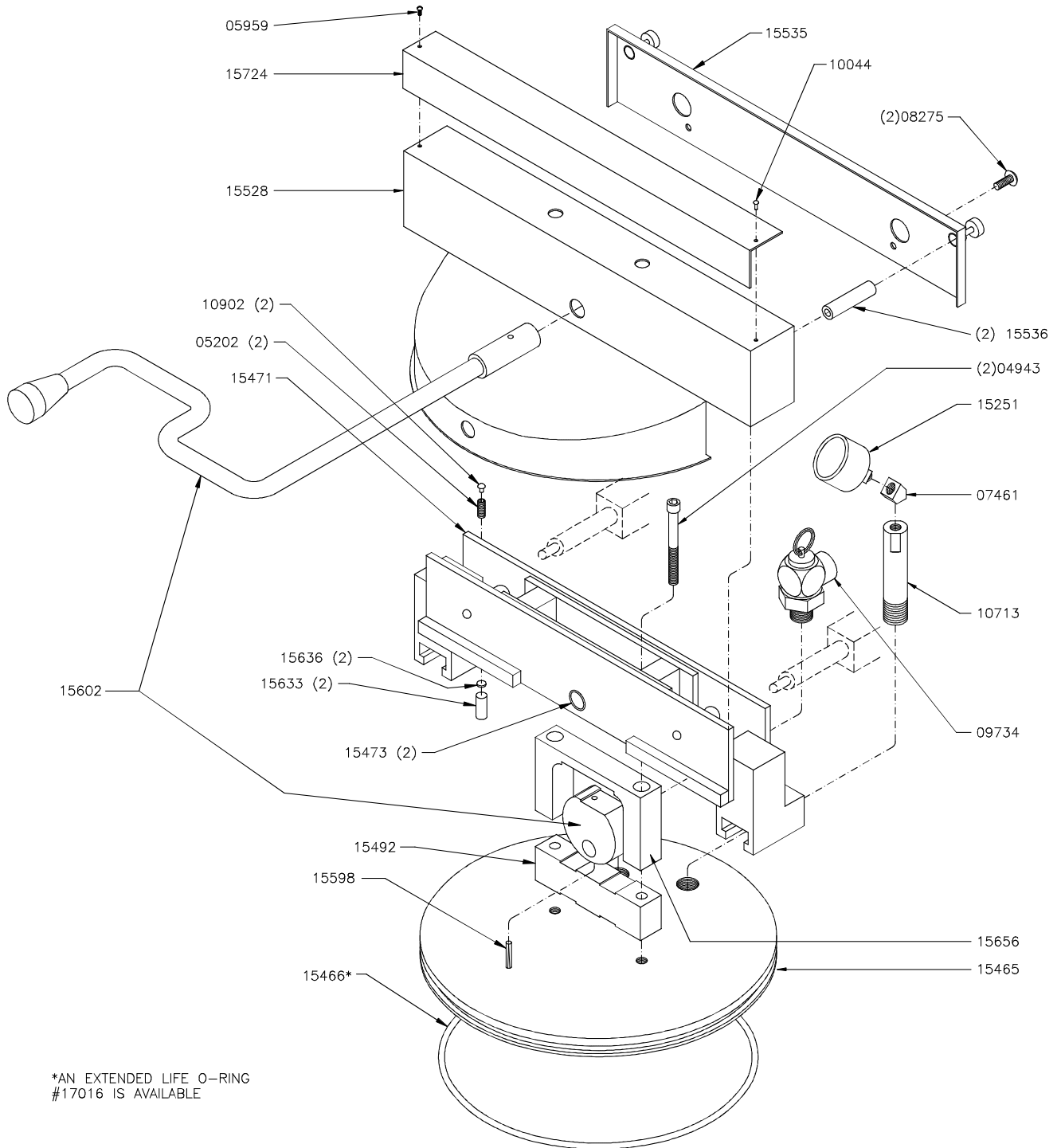


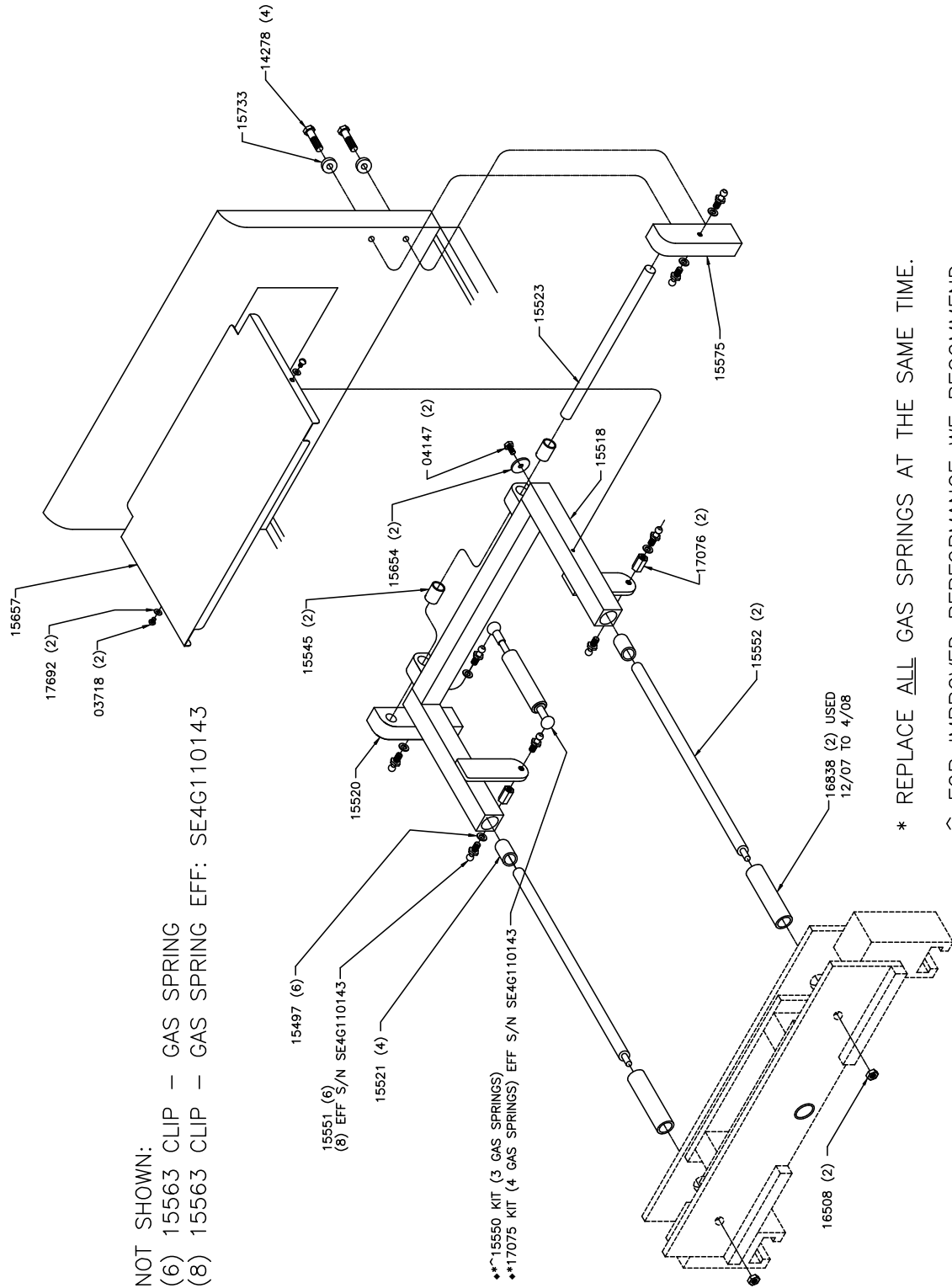
# 3 - CONTROL PANELS



17013- FAST CONTROL, USED IN UK ONLY

# 4 - COVER AND YOKE GROUP



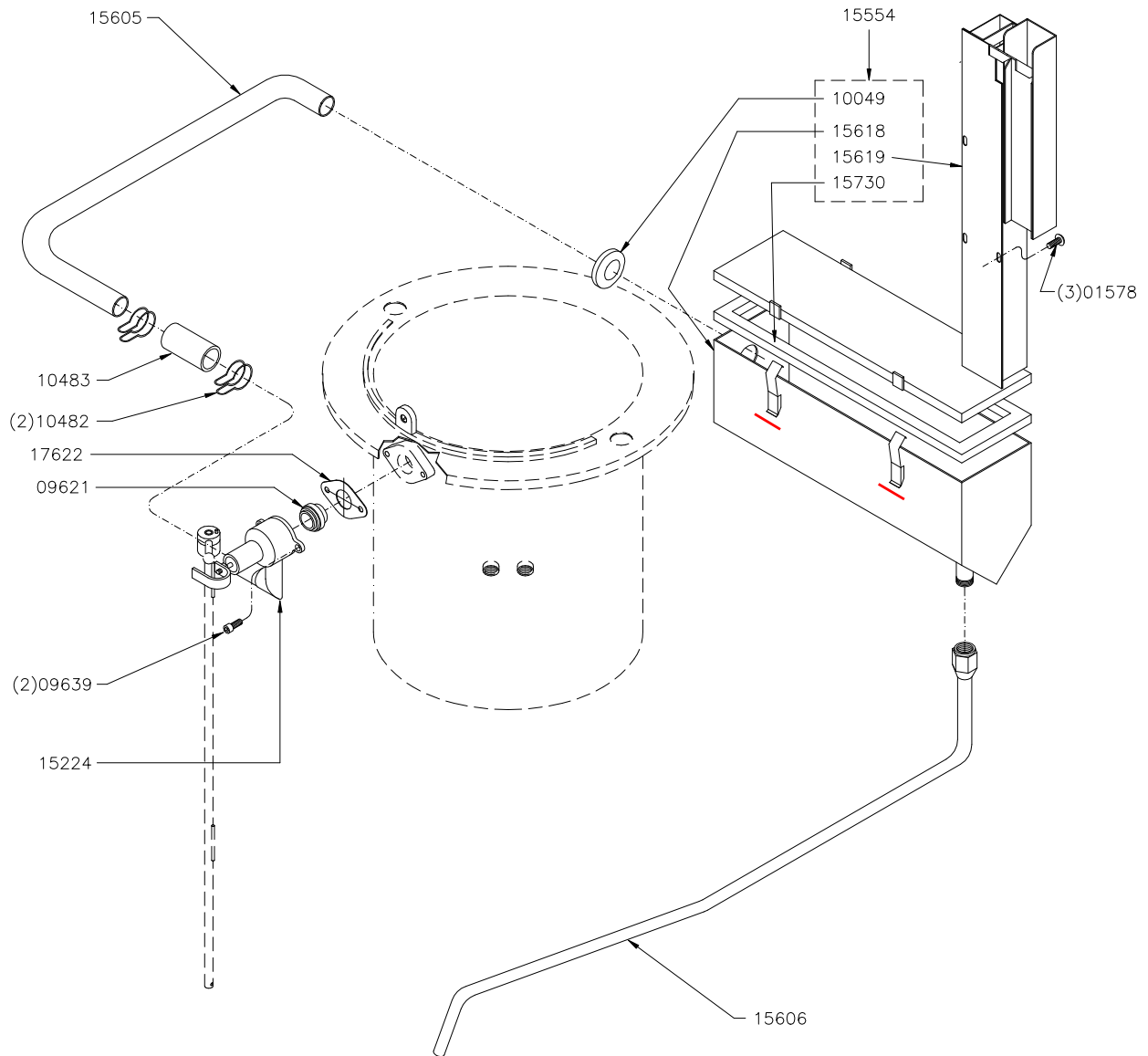


NOT SHOWN:  
 (6) 15563 CLIP - GAS SPRING  
 (8) 15563 CLIP - GAS SPRING EFF: SE4G110143

♦♦15550 KIT (3 GAS SPRINGS)  
 ♦♦17075 KIT (4 GAS SPRINGS) EFF S/N SE4G110143

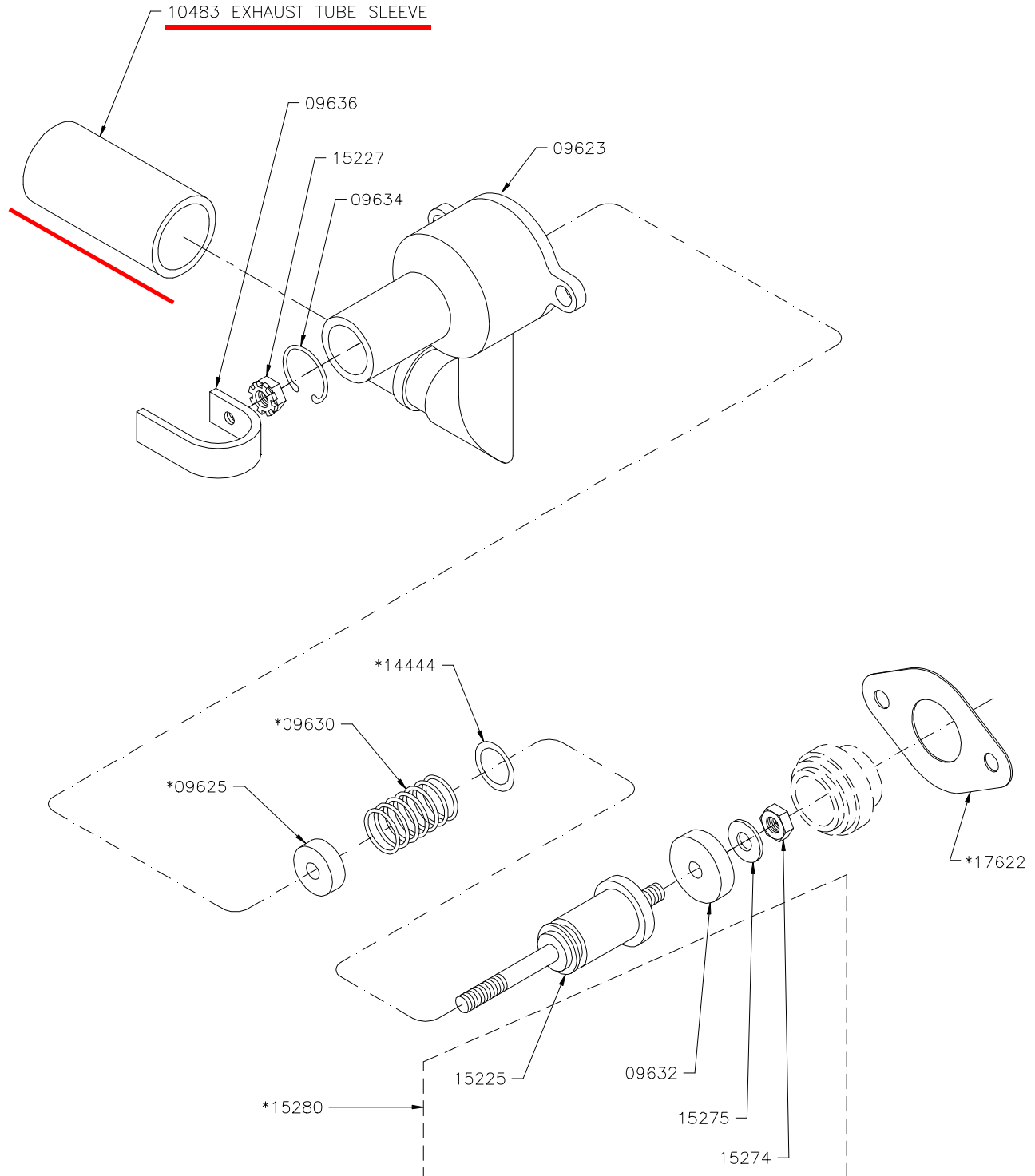
- \* REPLACE ALL GAS SPRINGS AT THE SAME TIME.
- ^ FOR IMPROVED PERFORMANCE WE RECOMMEND INSTALLATION OF #17105 UPGRADE KIT TO (4) GAS SPRINGS.
- ♦ THIS ITEM IS A KIT CONSISTING OF GAS SPRINGS, RETAINING CLIPS AND INSTALLATION INSTRUCTIONS.

# 5 - PRESSURE AND EXHAUST SYSTEM



# 6 - PRESSURE REGULATING VALVE

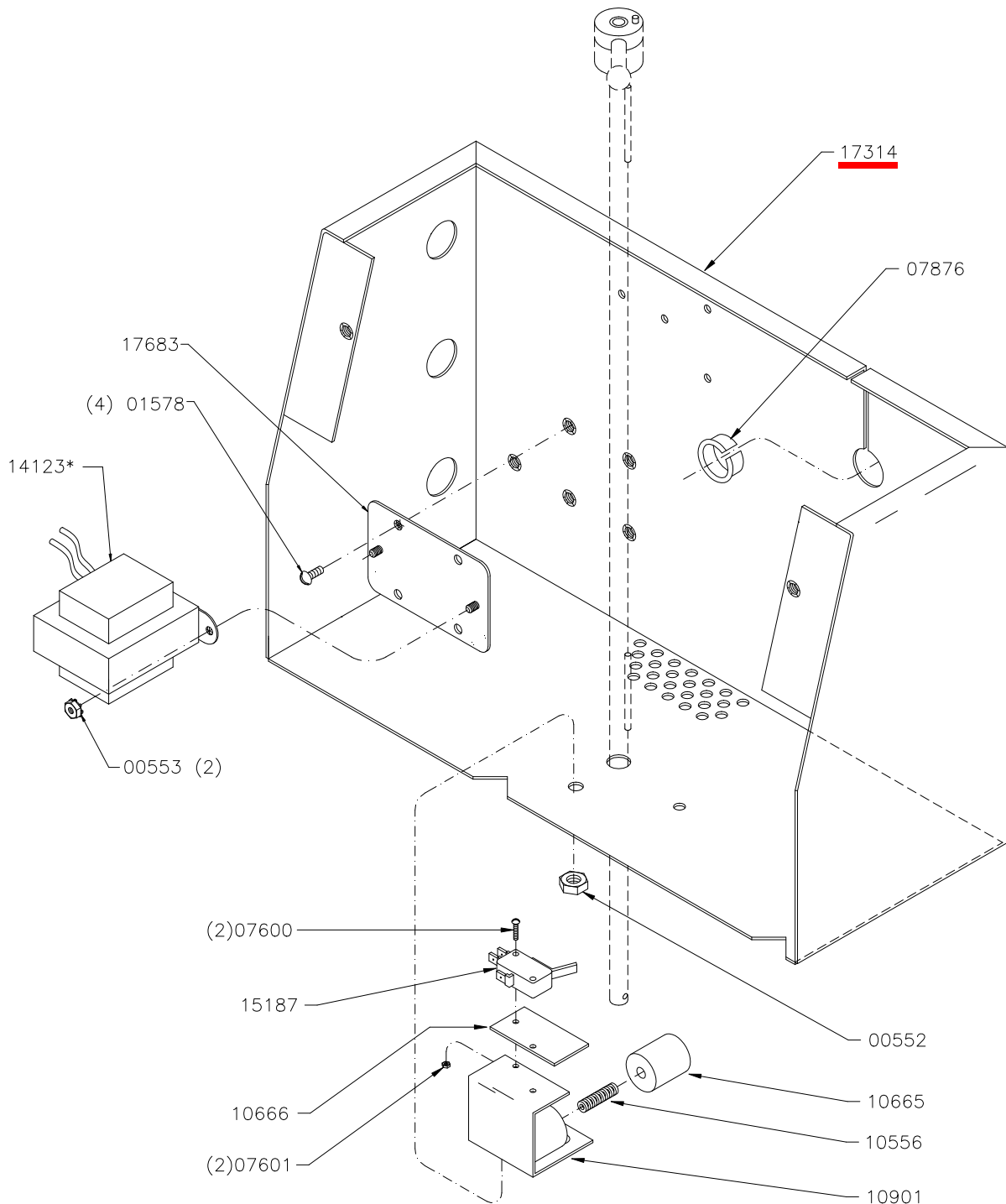
COMPLETE VALVE ASSEMBLY 15224  
GASKET 17622 SOLD SEPARATELY



\*=INCLUDED IN #15279 PRESSURE VALVE REPAIR KIT

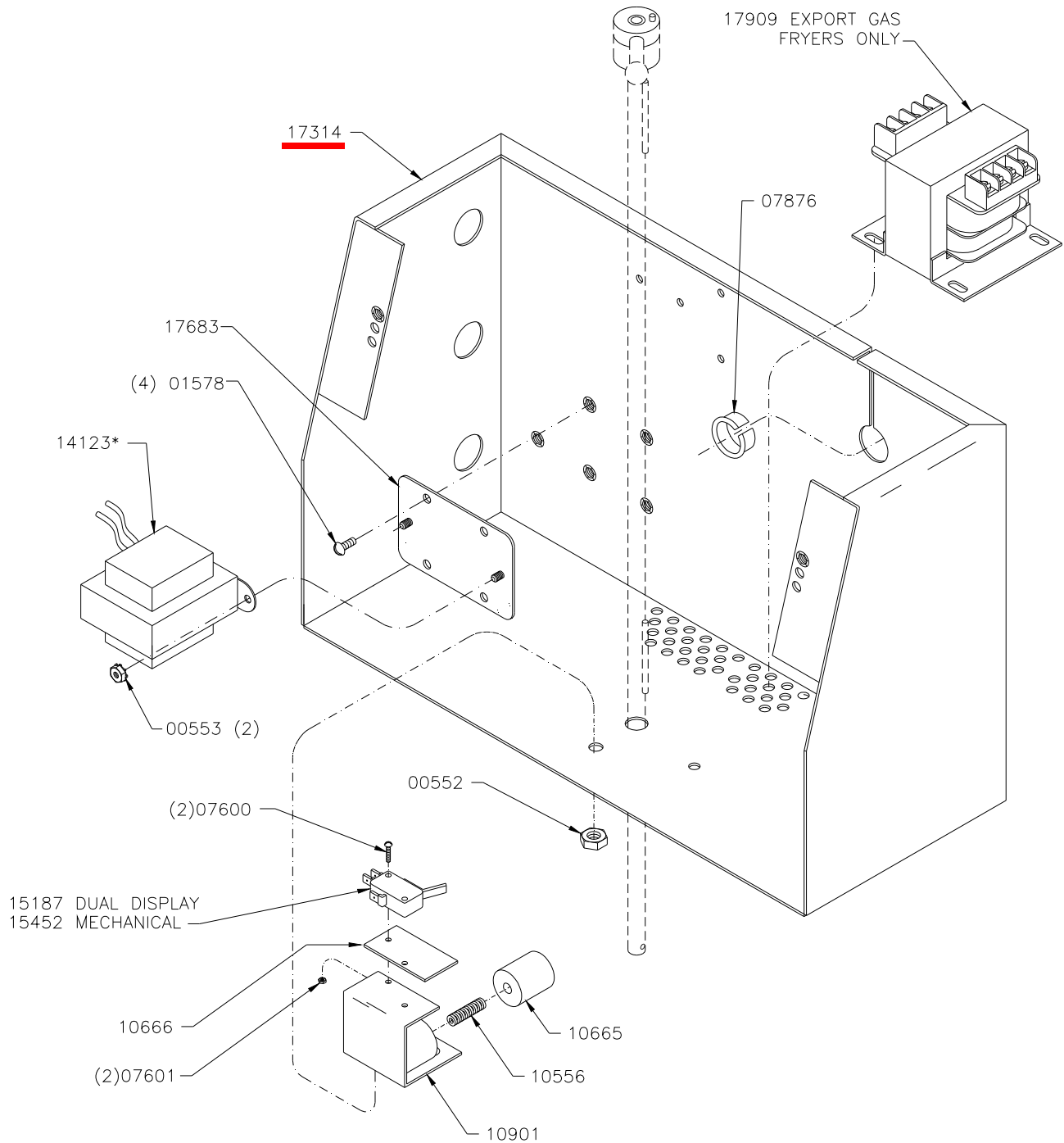
# 7 - POWER INPUT BOX

Model 2400GH:



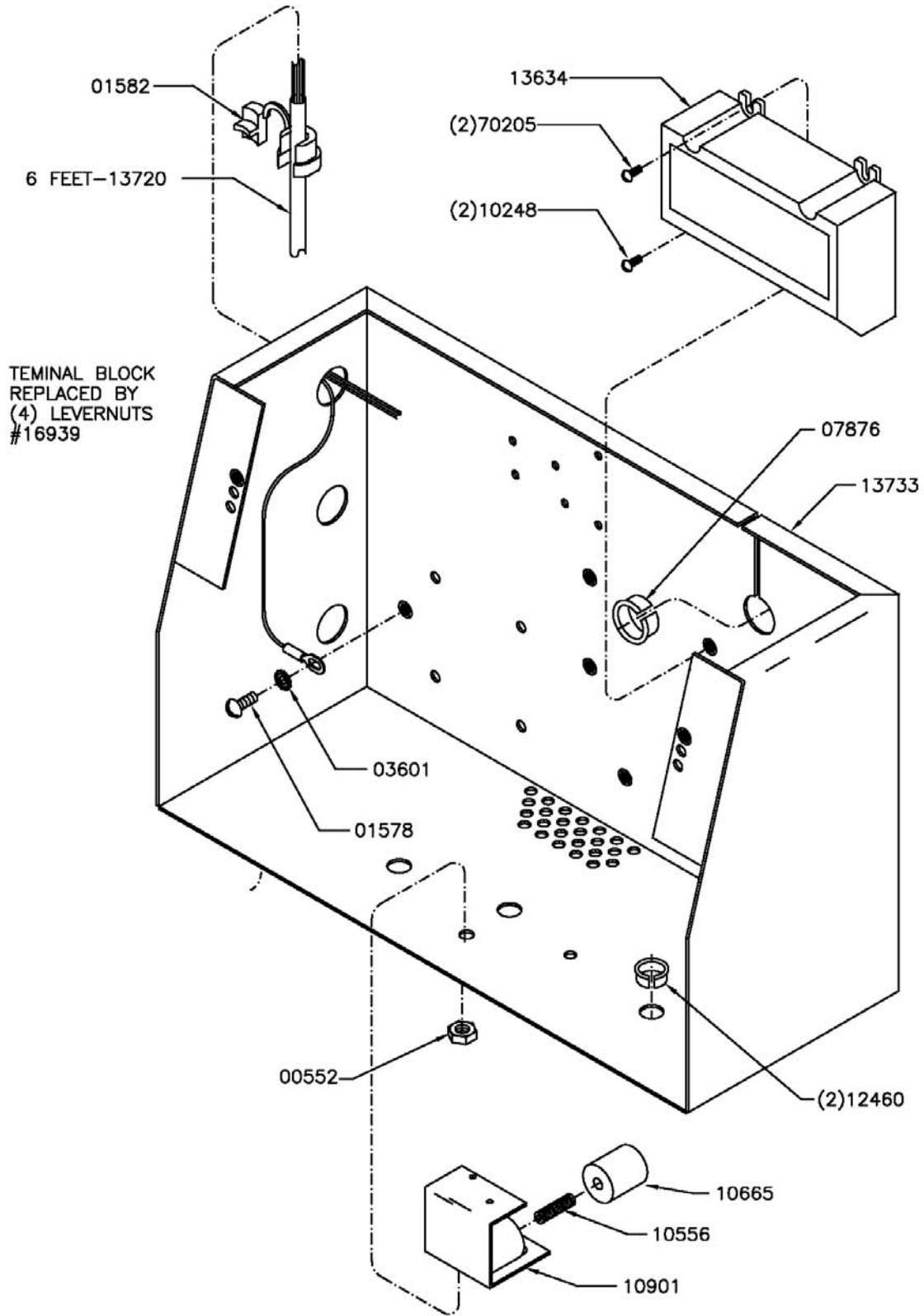
\* IF TRANSFORMER IS NOT DAMAGED, USE WIRE ASSEMBLY REPLACEMENT KIT #17152 TO REPLACE WIRES TO GAS VALVE.

# MODEL 2400GHXP



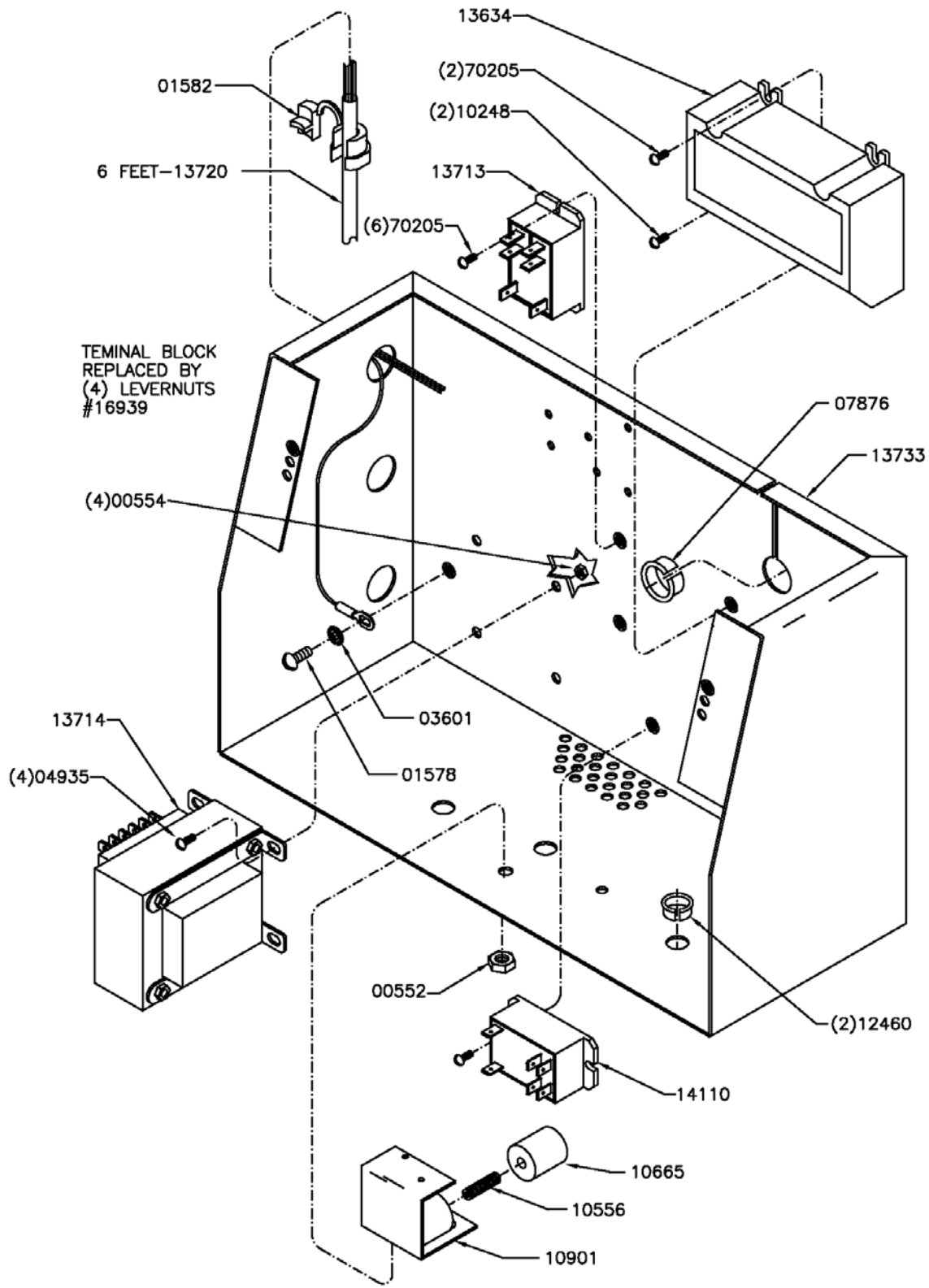
\* IF TRANSFORMER IS NOT DAMAGED. USE WIRE ASSEMBLY REPLACEMENT KIT #17152 TO REPLACE WIRES.

**Model 2400GHCE:**



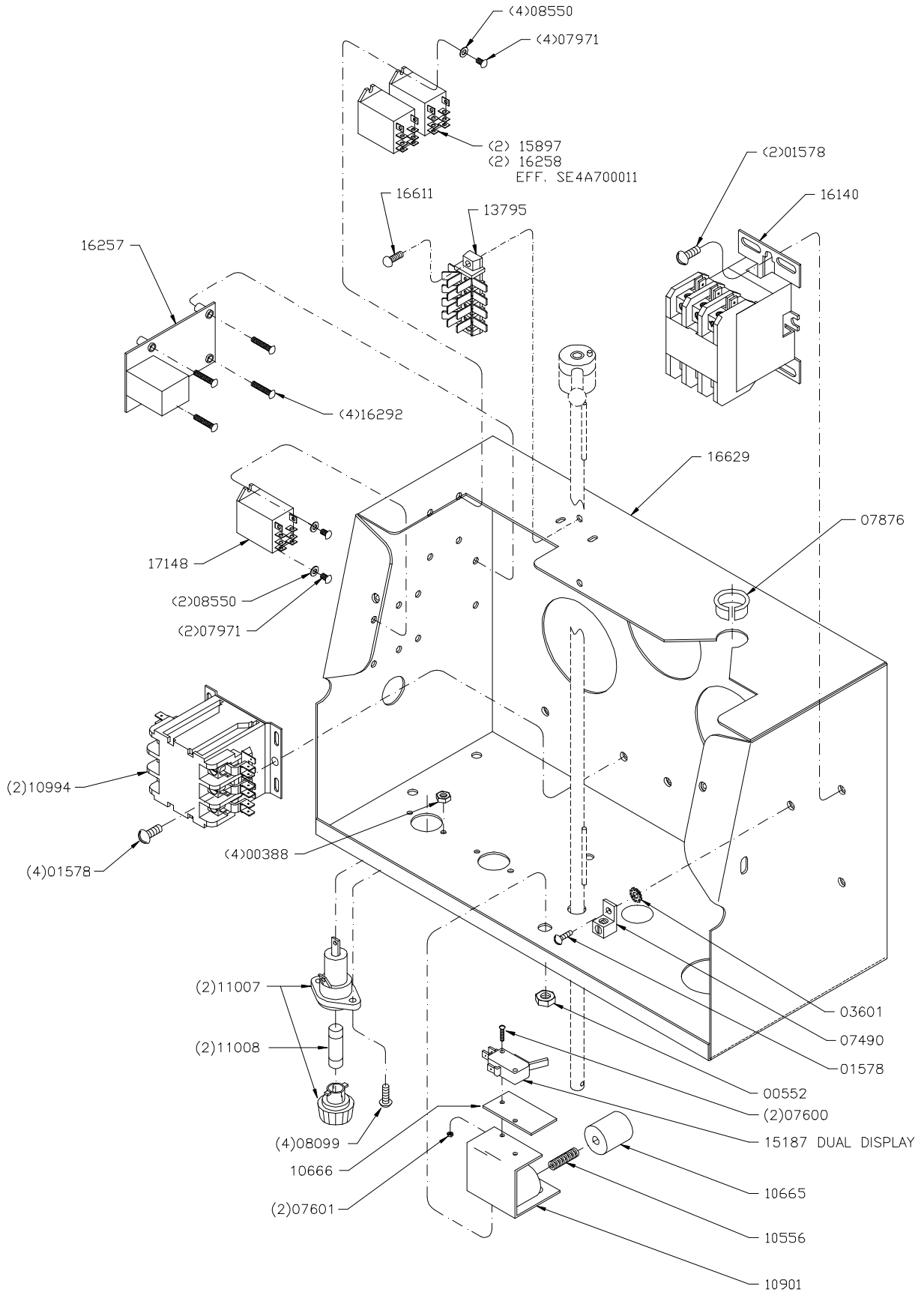
NOT SHOWN:  
 → 13783-0.1 $\mu$ F CAPACITOR 250vac  
 13773-WIRE ASSY, 3 WIRE  
 13774-WIRE ASSY, 2 WIRE

**Model 2400GHUK - for the United Kingdom w/FASTRON controller**  
**Model 2400GHCE - w/FASTRON controller**



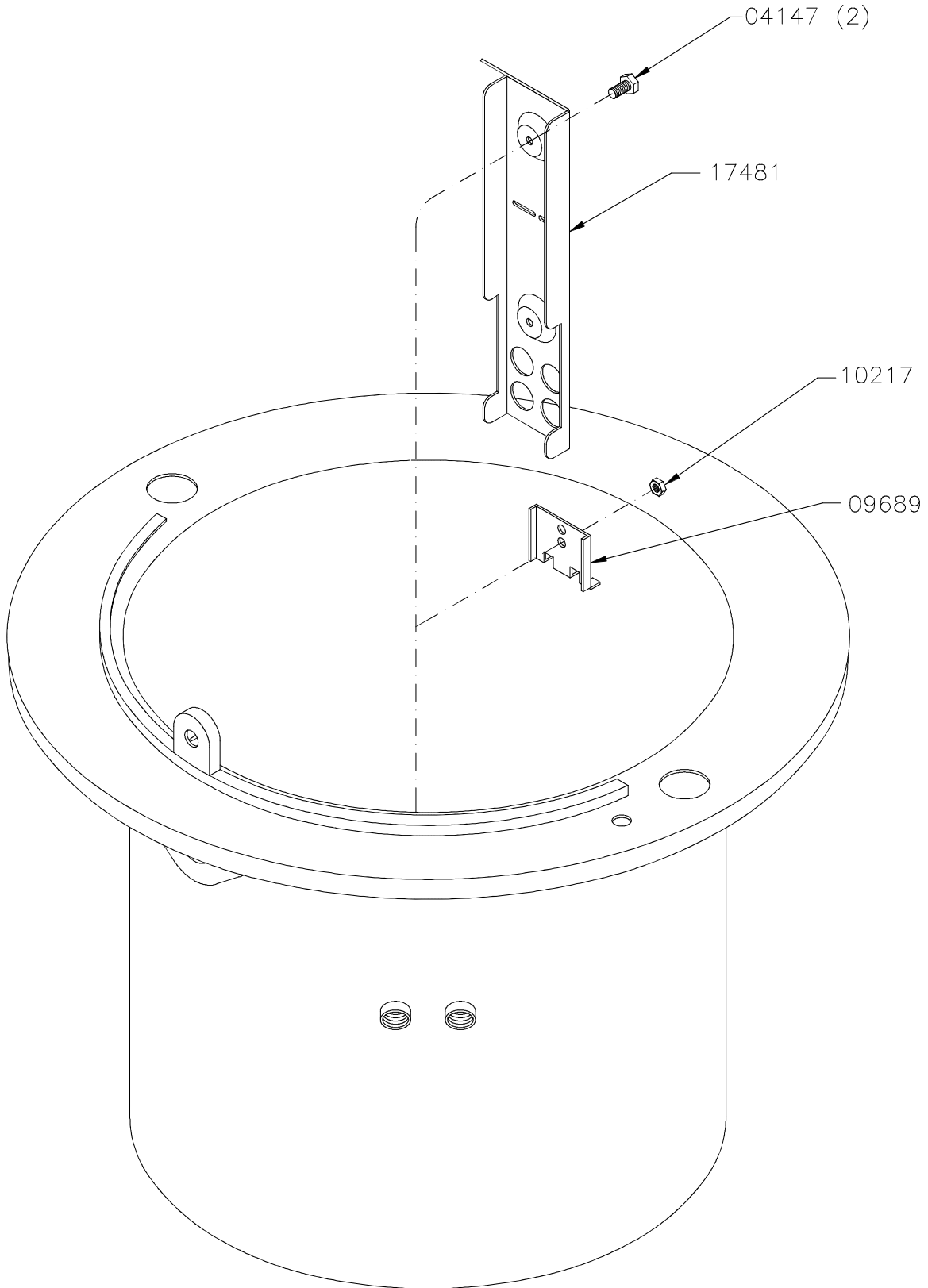
NOT SHOWN:  
 13716-0.1µF CAPACITOR 250vac  
 13773-WIRE ASSY, 3 WIRE  
 13774-WIRE ASSY, 2 WIRE

# Model 2400E

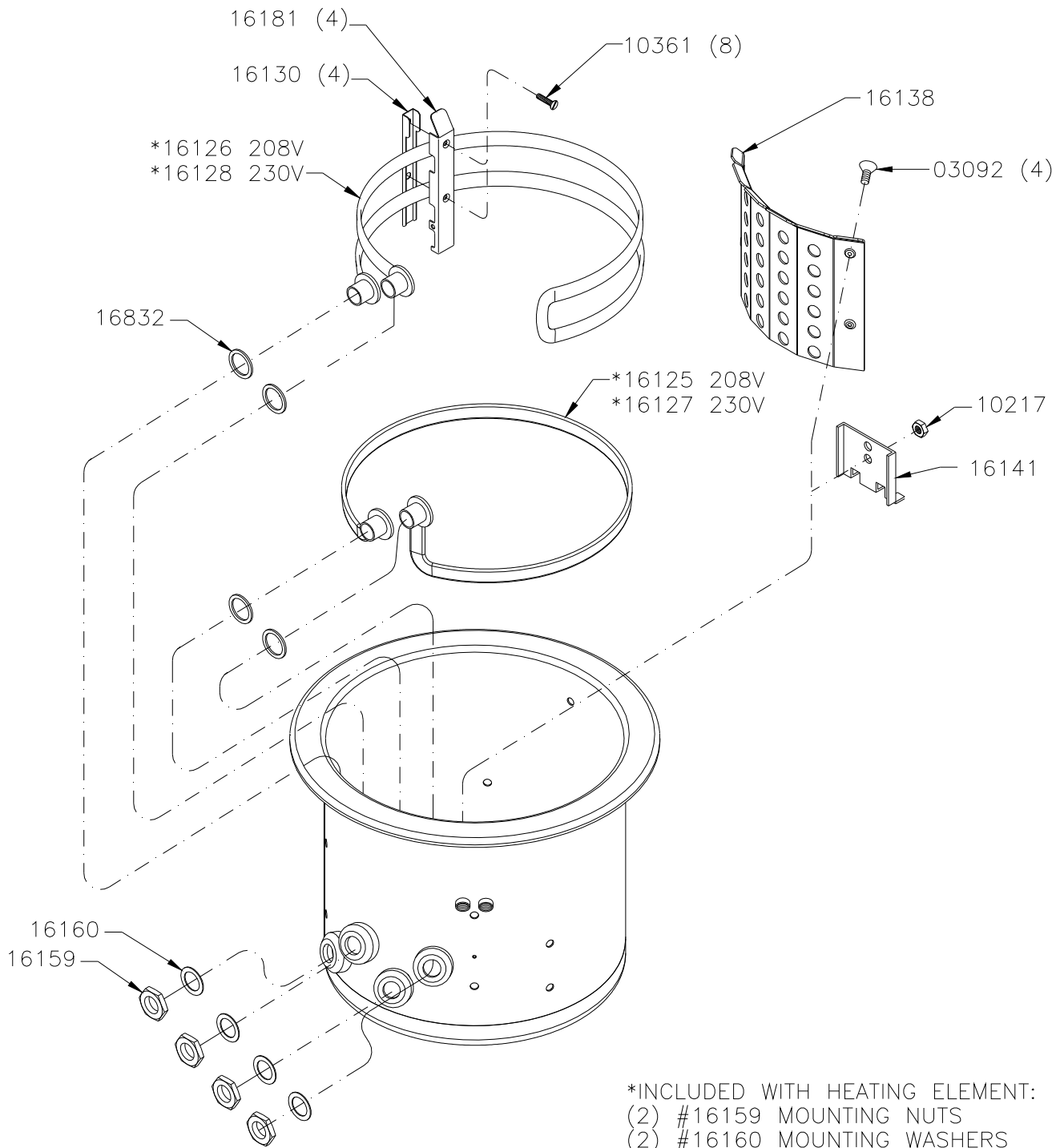


# 8 - COOKING WELL PARTS

2400GH:

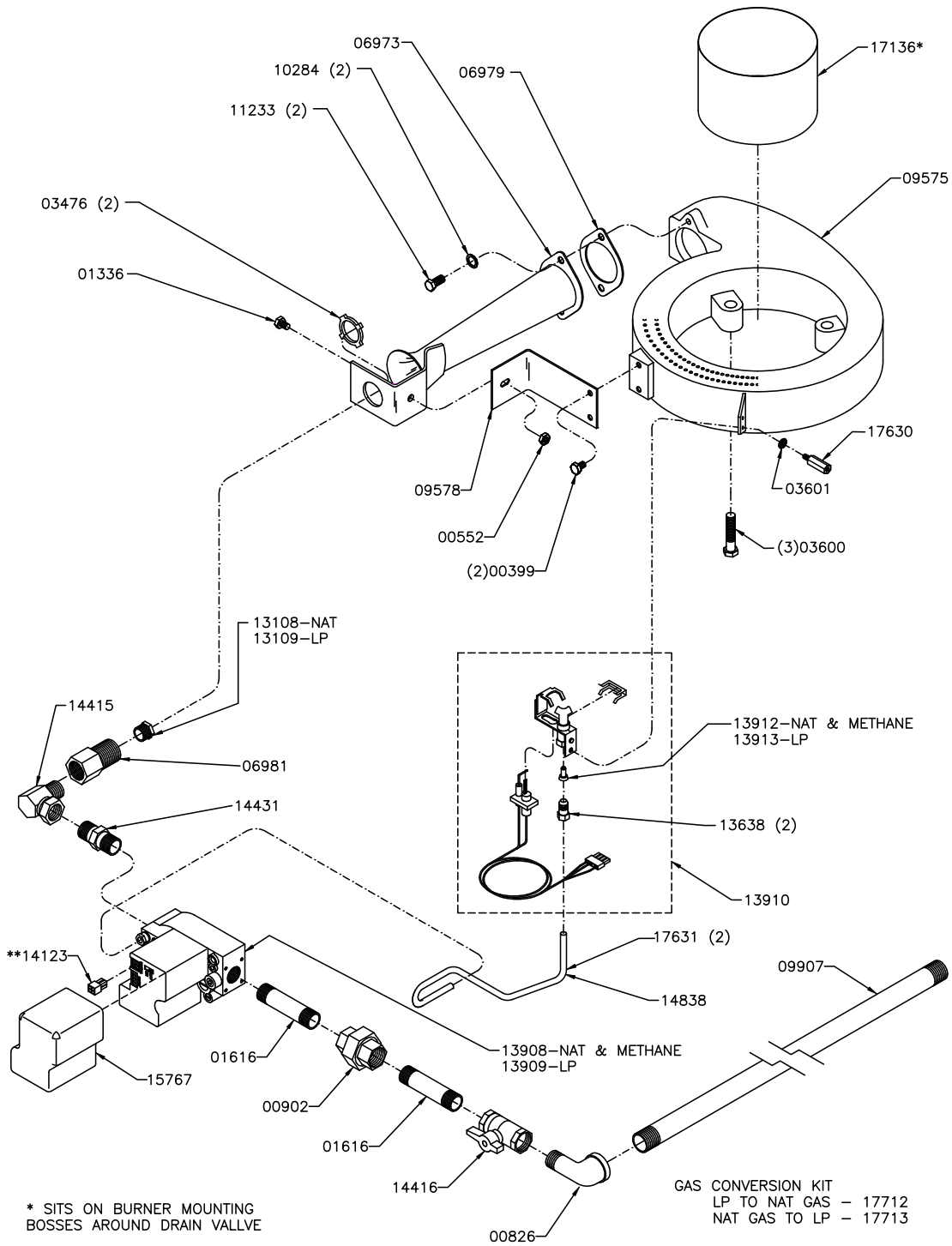


**2400E:**



# 9 - BURNER ASSEMBLY

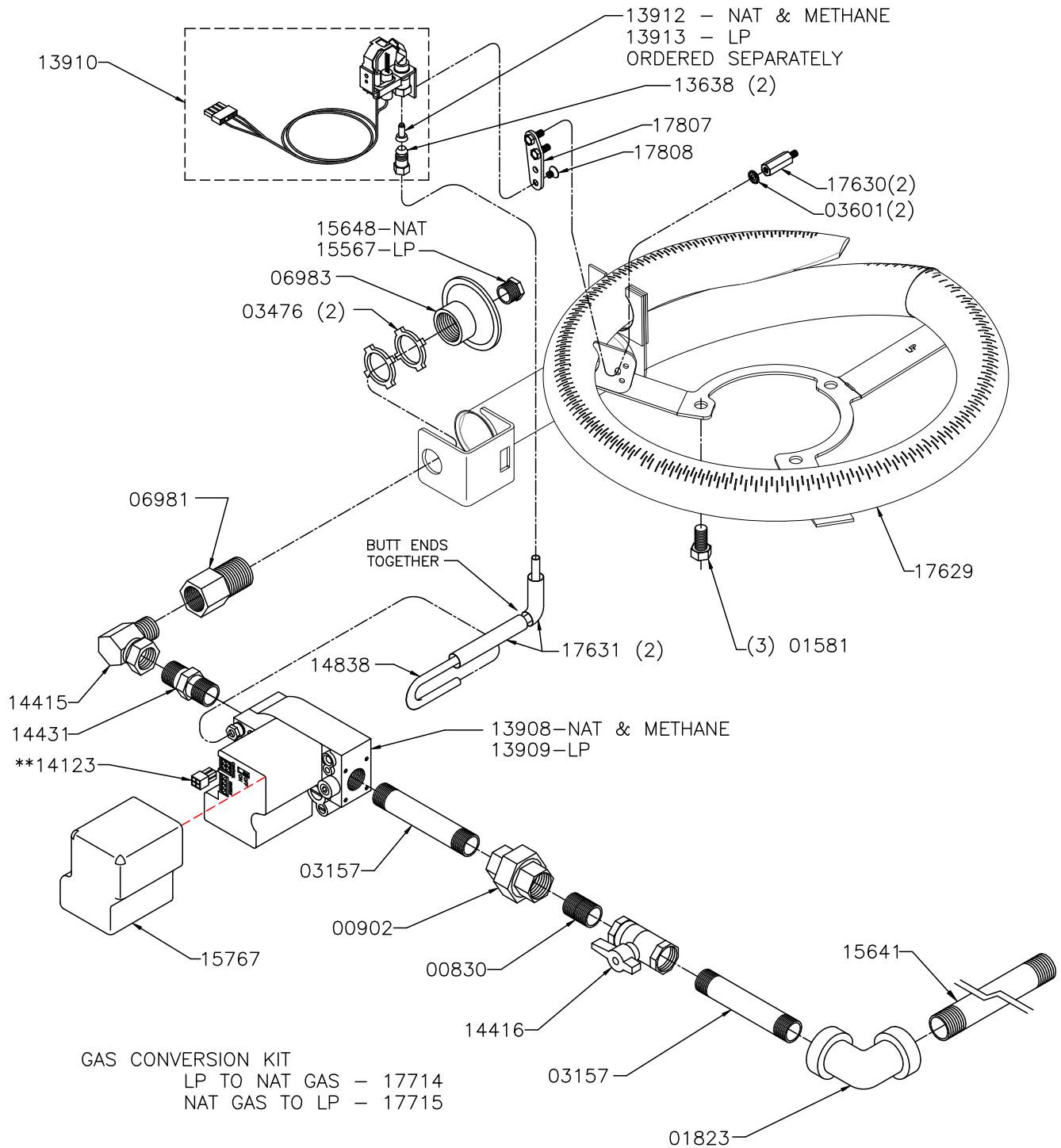
## Burner Assembly: US & Canada



\* SITS ON BURNER MOUNTING  
 BOSSES AROUND DRAIN VALLVE

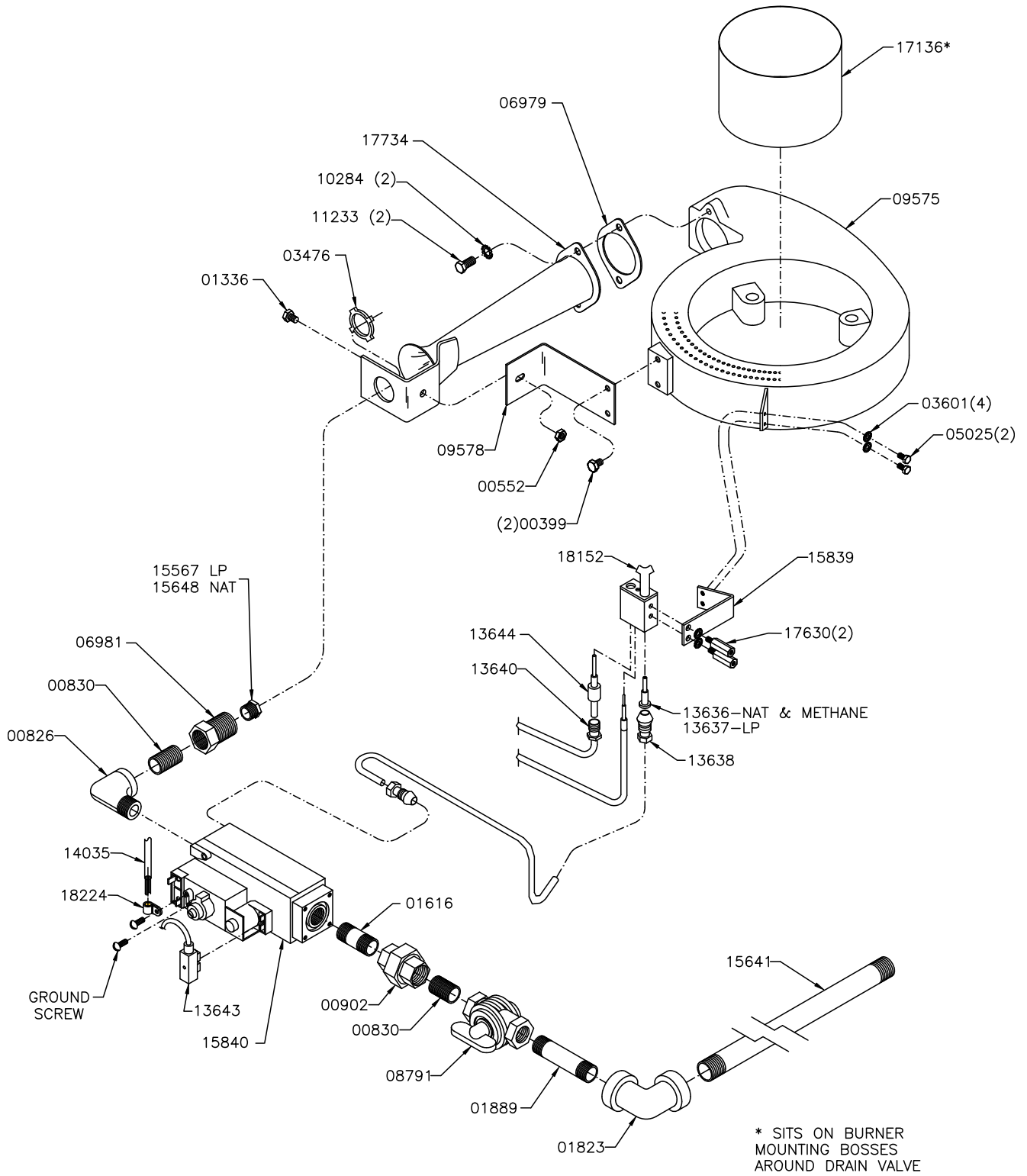
\*\* IF TRANSFORMER IS NOT DAMAGED,  
 USE WIRE ASSEMBLY REPLACEMENT KIT  
 #17152 TO REPLACE WIRES.

# Burner Assembly: US & Canada Effective S/N SG4K51109X

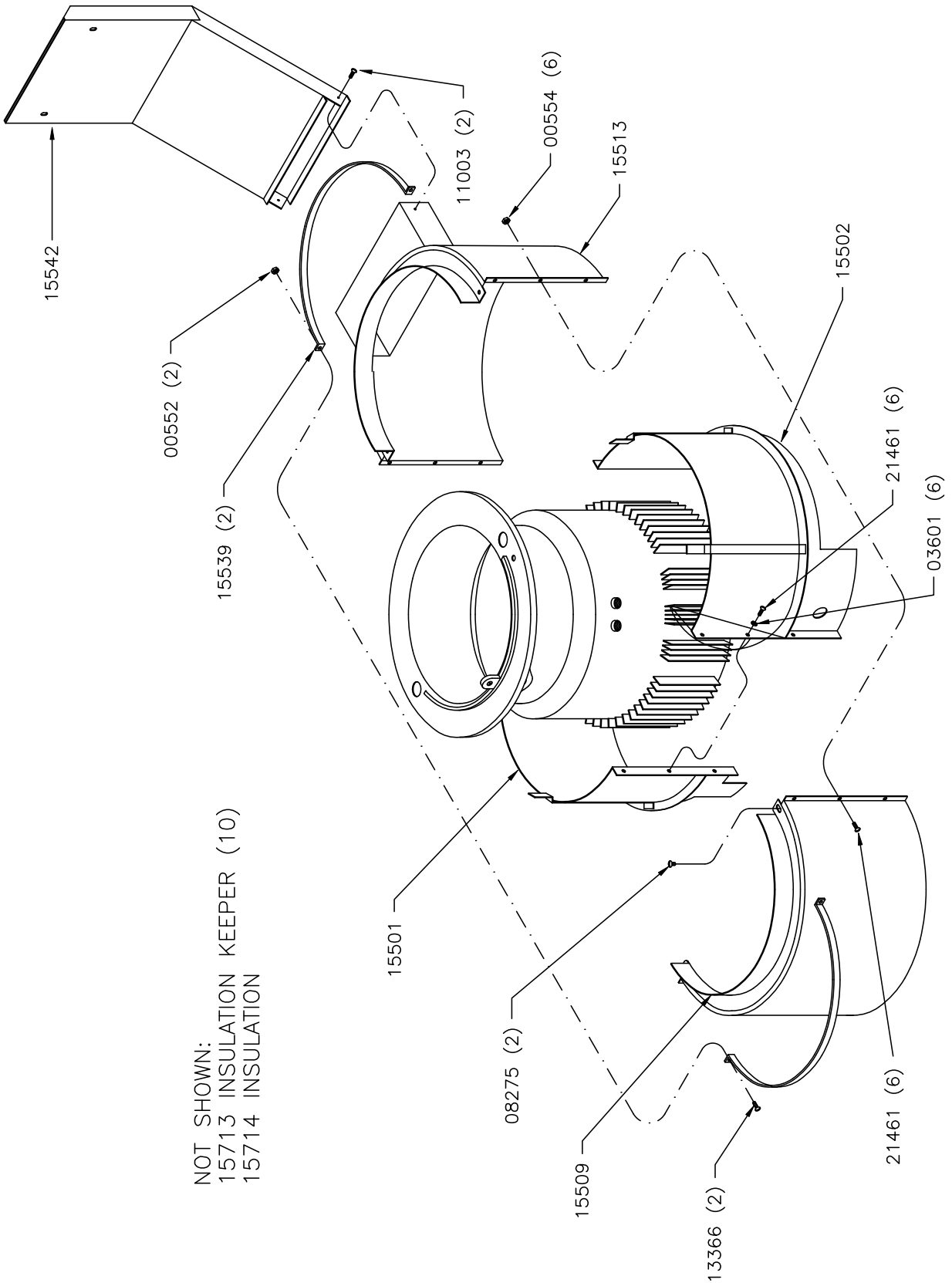


\*\* IF TRANSFORMER IS NOT DAMAGED,  
USE WIRE ASSEMBLY REPLACEMENT KIT  
#17152 TO REPLACE WIRES.

# Burner Assembly: European Union

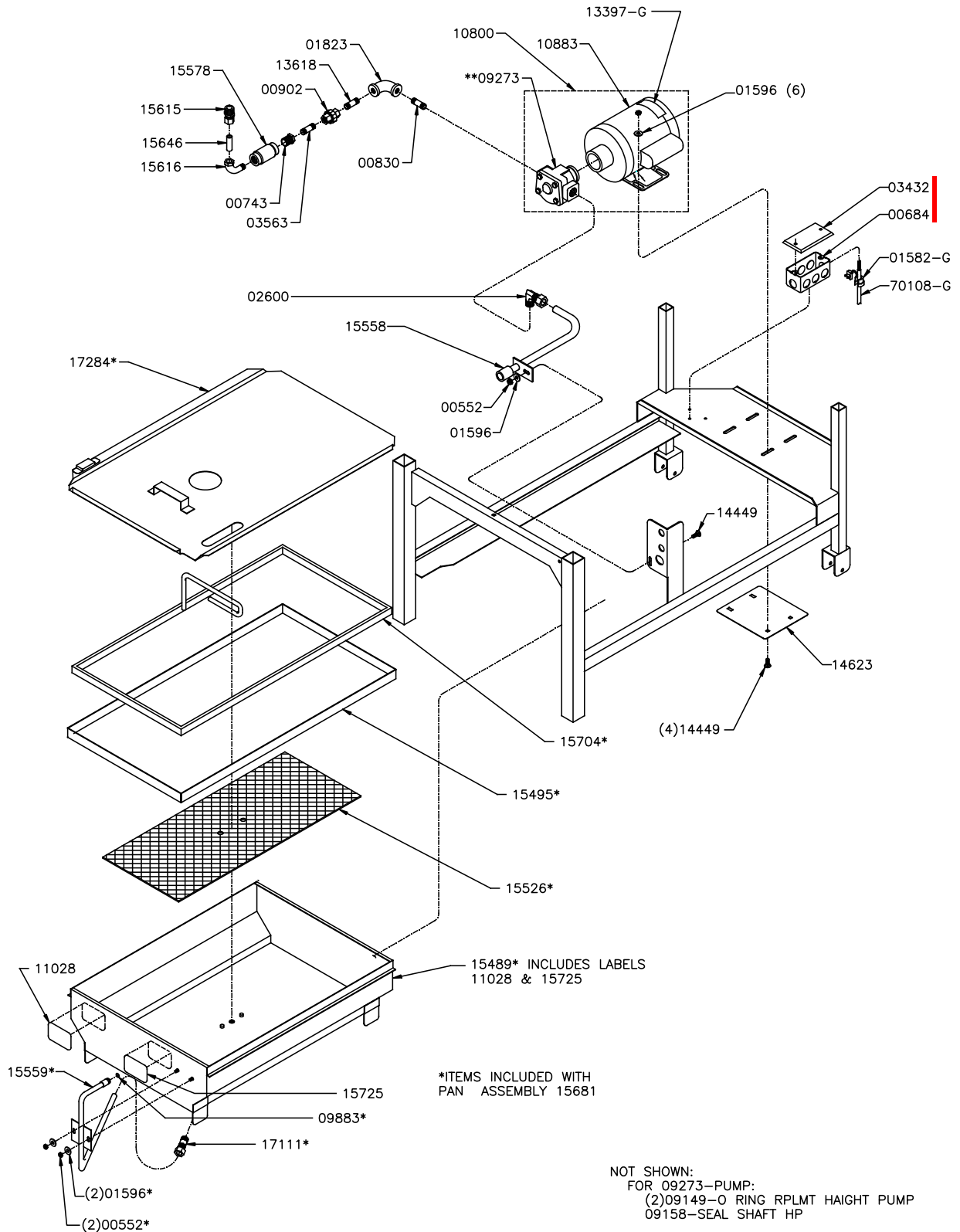


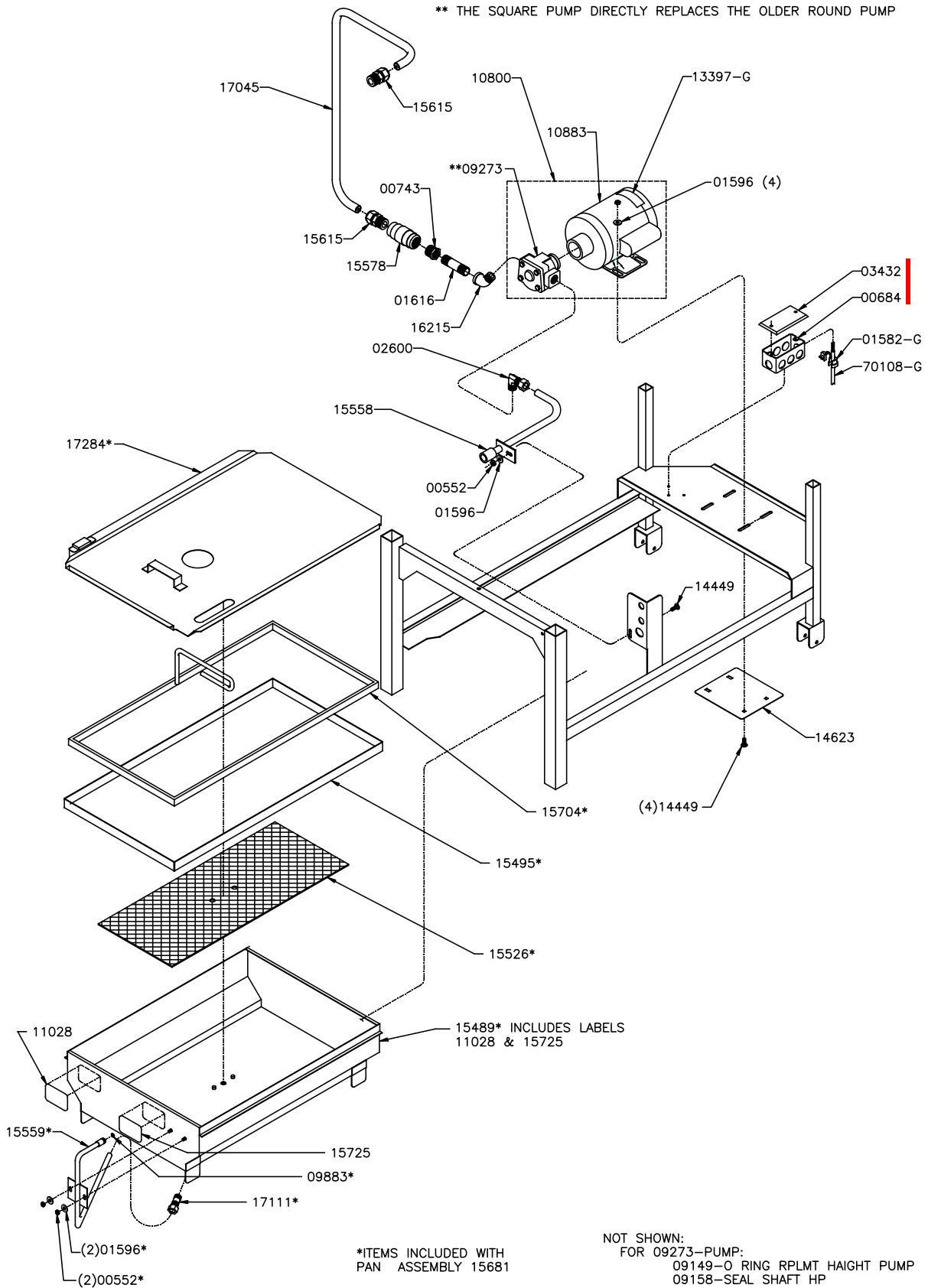
# 10 - COMBUSTION CHAMBER



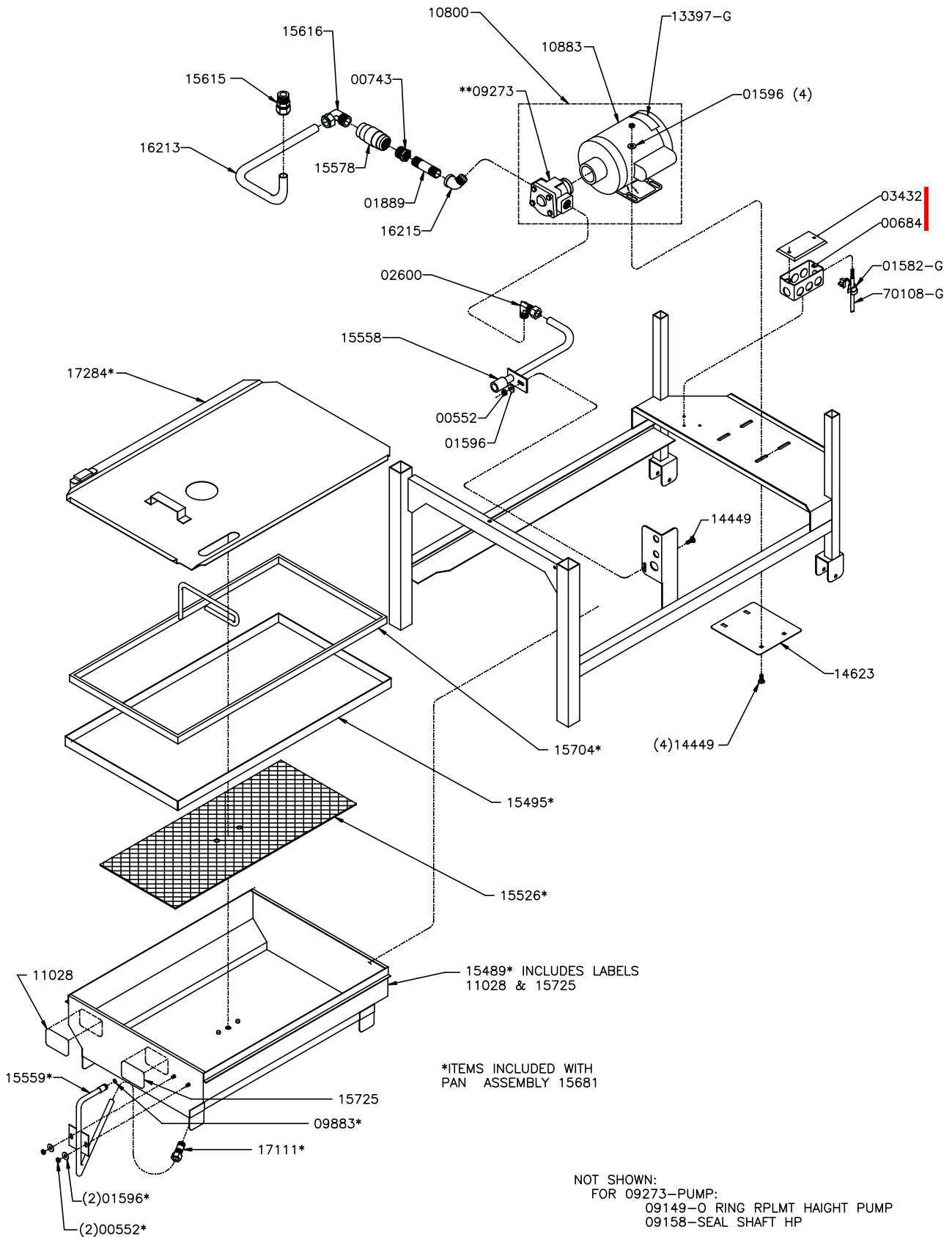
# 11 - FILTER SYSTEM

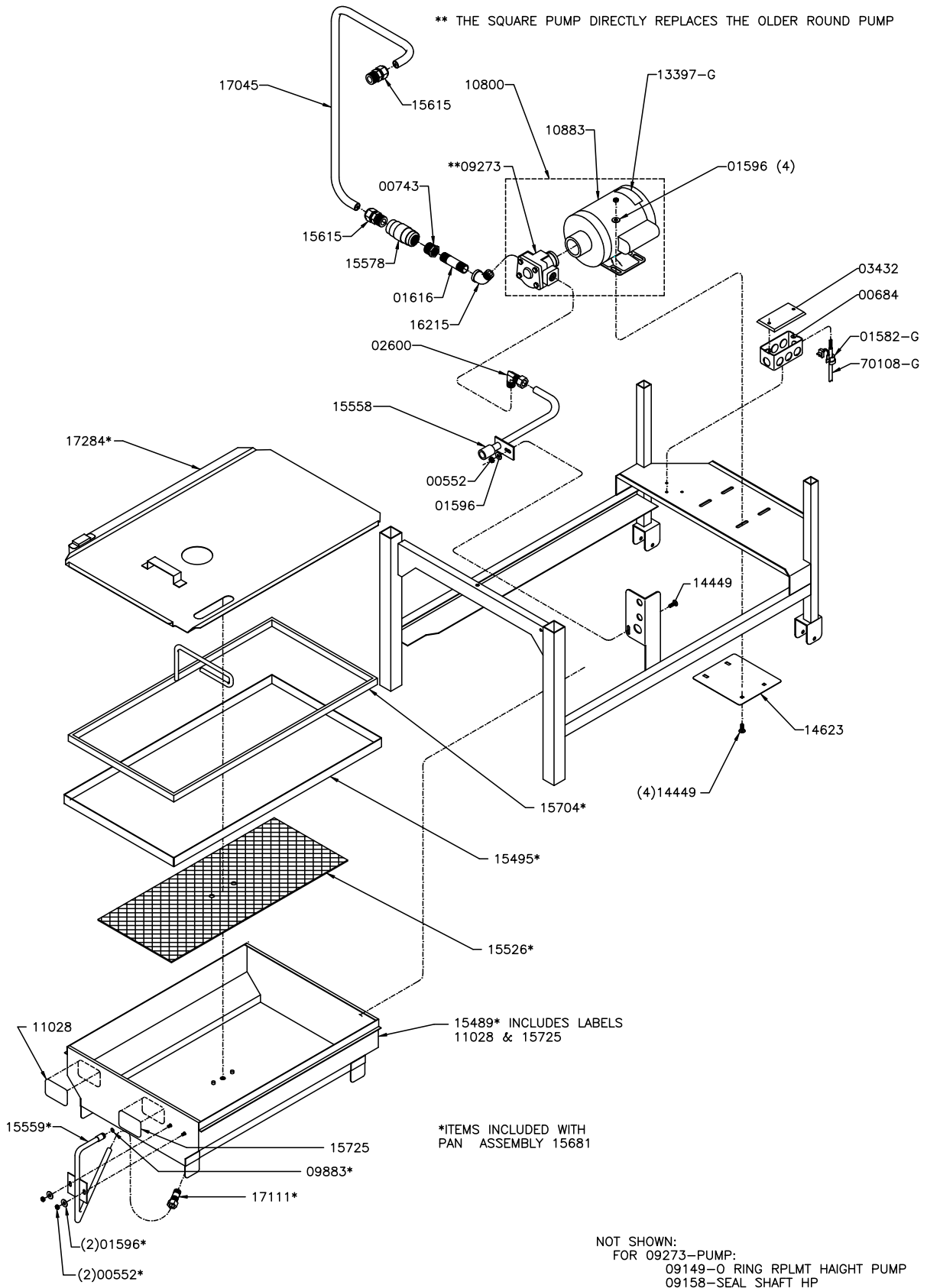
\*\* THE SQUARE PUMP DIRECTLY REPLACES THE OLDER ROUND PUMP





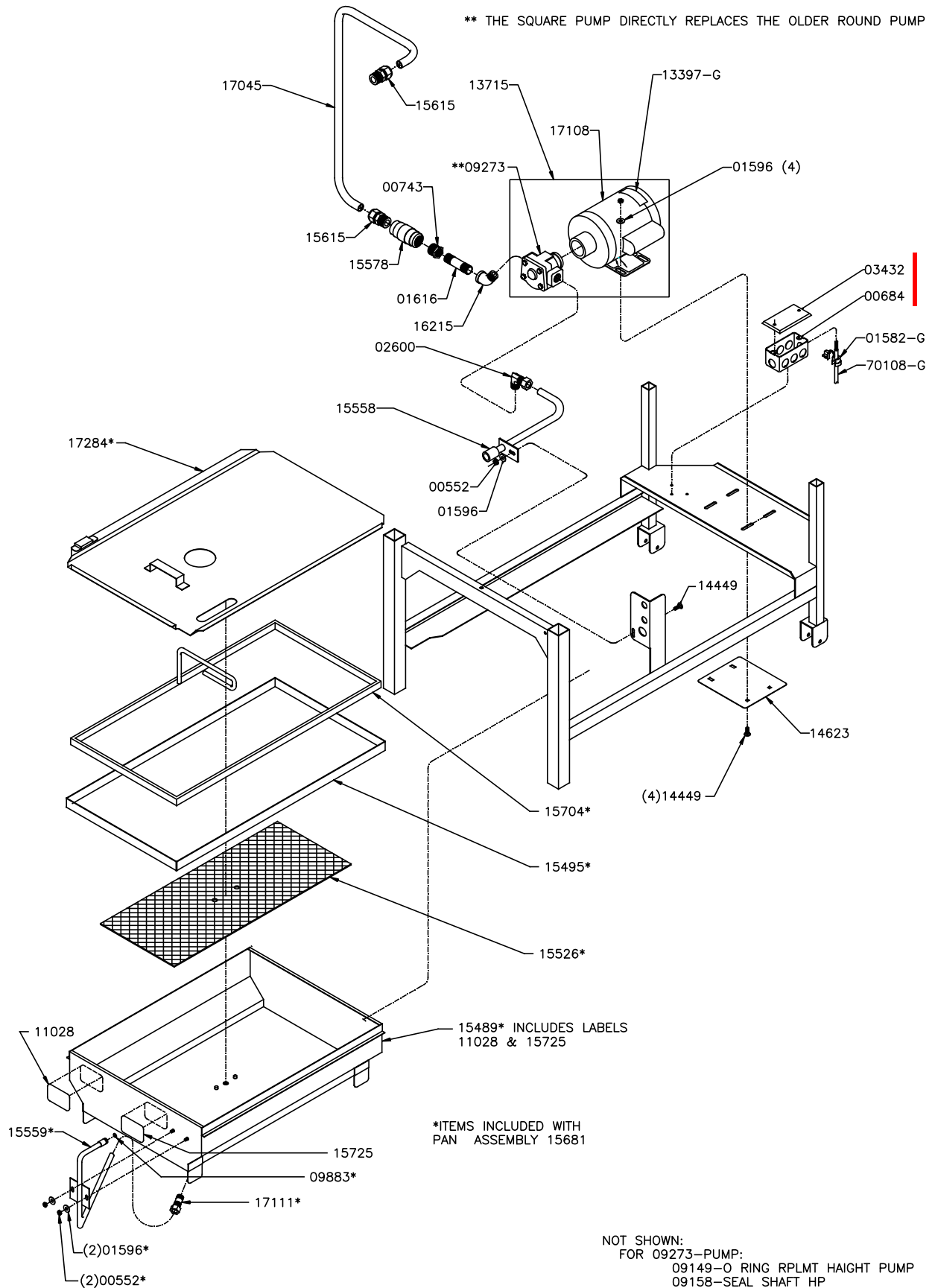
\*\* THE SQUARE PUMP DIRECTLY REPLACES THE OLDER ROUND PUMP



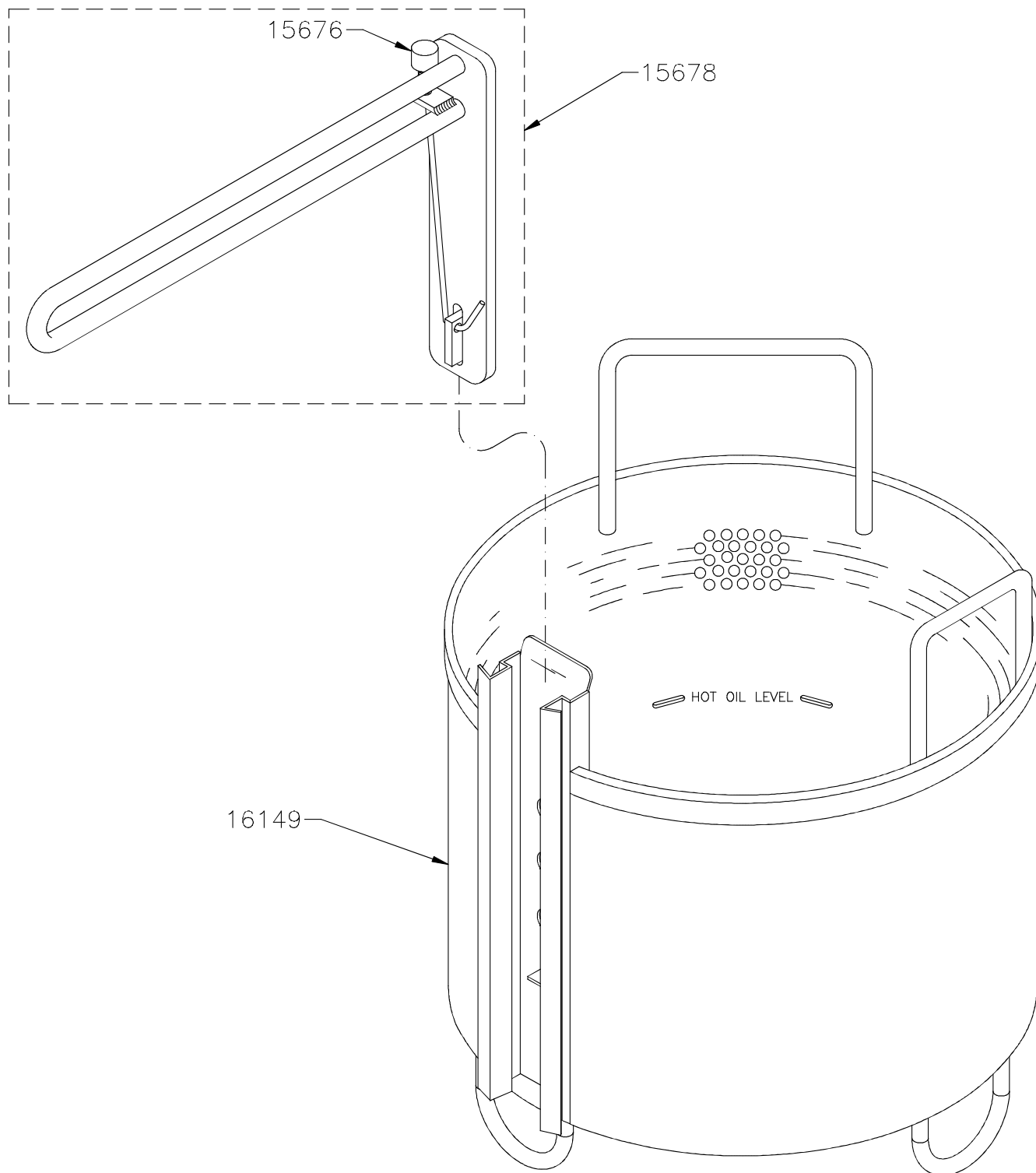


# MODEL 2400GHCE & 2400GHUK

\*\* THE SQUARE PUMP DIRECTLY REPLACES THE OLDER ROUND PUMP



## 12 - FOOD BASKET AND LIFTER



# 13 - Parts List

Parts List			
Part Number	Description	Qty Used	
		2400G	2400E
00301	SCREW RD HD #10-32 X .375 SS	4	4
00370	SCREW RD HD #6-32 X .375 SS	3	3
00388	NUT KEPS #6-32	4	12
00399	SCREW HX HD 1/4-20 X .375	2	
00552	NUT KEPS 1/4-20	31	28
00553	NUT KEPS #8-32	2	2
00554	NUT KEPS #10-32	17	11
00743	BUSHING- HX RED .75 X .50	2	
00830	NIPPLE 1/2 X CL BLK IRN	1	1
00902	UNION 1/2 NPT	1	1
01336	SCREW HX HD 1/4-20 X .500	6	5
01578	SCREW RD HD #10-32 X .500	8	15
01582	BUSHING- STRAIN RELIEF .875"	1	
01596	WASHER FLAT 1/4" X .75OD ZP	22	22
01616	NIPPLE 1/2 X 2.00" BLK IRN	1	
01823	ELBOW 1/2 X 90	1	1
01889	NIPPLE 1/2 X 3.00" BLK IRN	1	
02600	ELBOW 5/8"CC X 1/2"NPT X 90	1	1
03092	SCREW FL HD 1/4-20 X .500 LOK	2	2
03476	LOCKNUT 3/4 PIPE	1	
03563	NIPPLE 1/2 X 2.50" BLK IRN	1	
03601	LOCKWASHER #10 EXT TOOTH	9	11
04147	SCREW HX HD 1/4-20 X .500 SS	2	2
04943	SCR SOC HD CS 5/16-18X3 NYLOC	2	2
05025	SCREW RD HD #10-32 X .250	1	
05026	NUT KEPS 5/16-18	6	6
05202	CUP PT SCREW 5/16-18 X .625	2	2
05687	WASHER #10	7	7
05828	NUT HEX #6-32 SS	3	3
06375	LABEL- VALVE, DRAIN, WARNING	1	1
06955	SCREW BUT HD SOC #10-32 X .62	6	
06973	MIXER	1	
06979	GASKET- MIXER	1	
06981	HOLDER- ORIFICE	1	
07092	SCREW RD HD #6-32 X .375	2	6
07461	ELBOW - PLATED	1	1
07490	LUG- GROUNDING		1
07600	SCREW RD HD #4-40 X .625	2	2
07601	NUT KEPS #4-40	2	2
07611	GAUGE, PRESSURE	1	1

Parts List			
Part Number	Description	Qty Used	
		2400G	2400E
07876	BUSHING- INSULATING 7/8 O/C		3
07971	SCREW RD HD #6-32 X .250		4
08099	SCREW RD HD #6-32 X .500		4
08275	SCREW TR HD #10-32 X .375 SS	16	14
08550	LOCKWASHER #6 INT TOOTH		4
09112	SCREW RD HD #6-32 X .625	1	1
09149	O RING REPLACEMENT, HAIGHT PUMP	1	
09158	SEAL- SHAFT, HAIGHT PUMP	1	
09193	CLAMP- HOSE (B10HS)	1	1
09273	PUMP, HAIGHT	1	1
09508	COLUMN ANCHOR	2	2
09520	COUPLING 1/2 NPT	1	
09563	COLUMN LATCH	2	2
09575	BURNER WELD	1	
09578	BRACKET MTG MIXER	1	
09621	SEAT- VALVE, EXHAUST, 1800	1	1
09623	HOUSING- EXH VALVE, MACHINED	1	1
09625	BEARING- OUTER	1	1
09630	SPRING- EXH VALVE	1	1
09634	RING RETAINING INT	1	1
09636	YOKE - CONTROL, EXH VALVE	1	1
09639	SCREW SOCHD CAP 1/4-20 X .625	4	2
09685	STUD RECEIVER	2	2
09689	BULB PLATE- 1600/1800	1	
09734	VALVE- PRESSURE RELIEF, 15PSI	1	1
09753	LABEL- HANDLE	1	1
09756	LABEL- PUNCHED, VALVE, 1800	1	1
09827	LOGO ELECTRIC		1
09828	LOGO GAS	1	
09868	SCREW HX HD #10-32 X .500 SS	6	
09883	O RING- FILTER RETURN FITTING	1	1
09912	SCREW DRIVE #0 X .187 LG	2	2
09916	O RING- EXHAUST VALVE HOUSING	1	1
09949	INTERLOCK WELD DRAIN VALVE	1	1
10044	RIVET POP 1/8 DIA X .265 LG	5	5
10049	GROMMET 1" ID X 1 3/4" OD	1	1
10217	NUT KEPS #10-32 S.S.	1	1
10248	SCREW RD HD #8-32 X .750	2	2
10284	LOCKWASHER 5/16 EXT. TOOTH SS	3	1
10354	LIGHT- AMBER, 120V	1	
10482	CLAMP WIRE 1 3/16 DIA	2	2
10483	SLEEVE SILICONE	1	1
10556	SPRING COMPRESSION	1	1

Parts List			
Part Number	Description	Qty Used	
		2400G	2400E
10665	PLUNGER DETENT	1	1
10666	INSULATOR- MICRO SWITCH	1	1
10674	COVER INTERLOCK WELD	1	1
10677	BUTTON PIN	1	1
10713	MANIFOLD PRESSURE GAUGE	1	1
10800	PUMP & MOTOR- HAIT/LEES	1	1
10883	MOTOR W/MANUAL RESET, SERVICE	1	1
10901	GUIDE WELD- PLUNGER	1	1
10902	PLUG- HOLE	4	4
10922	CONTROL- HI LIMIT, 450	1	
10923	CONTROL- HI LIMIT, 420		1
10994	CONTACTOR- 50A 208/240V 1800		2
11000	LIGHT- AMBER, 240V		1
11003	SCREW PH HD #6 X .375 TYP A	2	
11007	FUSEHOLDER- 15A		2
11008	FUSE- 15A, BUSS TYPE SC		2
11027	PLATE- SPEC, DOMESTIC	1	1
11028	LABEL- FILTER PAN	1	1
11189	BOX WELD- CONTROL, 1800G	1	
11233	SCREW HX HD 5/16-18 X .500	3	1
11674	SPEAKER BRACKET	1	1
11743	CONNECTOR- MALE	1	1
11744	BUSHING- HX RED .375 X .125	1	1
11766	SWITCH- TOGGLE, SPDT	1	1
12276	SPEAKER W/WIRE	1	1
12410	TRANSFORMER, NCC FOR SS CONTROL	1	1
13100	PROBE- FORMED, 1800GH	1	
13396	LABEL- TIPPING/SPLASHING	1	1
13397	LABEL- PUMP RESET	1	1
13618	NIPPLE 1/2 X 3.50" BLK IRN		1
13635	BURNER- PILOT, 1800GHCE	1	
13636	ORIFICE- PILOT, NAT, CE	1	
13638	FITTING- 1/4 NPT	1	
13639	IGNITER ROD- PILOT, CE	1	
13640	FITTING- FLAME SENSOR, CE	1	
13643	WIRE HARNESS- GAS VALVE, CE	1	
13644	SENSOR- FLAME, 1800GHCE	1	
13795	TERMINAL BLOCK MOD 70	1	1
13908	VALVE- GAS, NAT, SMART	1	
13909	VALVE- GAS, LP, SMART	1	
13910	BURNER- PILOT, SMARTVALVE	1	
13912	ORIFICE- PILOT NAT SMARTVALVE	1	
13913	ORIFICE- PILOT LP SMARTVALVE	1	

Parts List			
Part Number	Description	Qty Used	
		2400G	2400E
13921	COVER- TERMINAL, CE GAS VALVE	1	
13926	BUSHING- STRAIN RELIEF SR6P-4	1	
14035	WIRE ASSY- GAS VALVE, 1800GHCE	1	
14123	WIRE ASSY- GAS VALVE, HSI	1	
14278	SCREW SOCHD CAP 5/16-18 X 1.50	6	6
14405	O RING- HEATER SEAL, 1800E	1	1
14415	FITTING-SWIVEL 1/2FPT - 1/2MPT	1	
14416	VALVE- MANUAL, GAS	1	
14431	NIPPLE- HEX, 1/2" NPT	1	
14444	O RING- PISTON, EXH VALVE	1	1
14449	CARRIAGE BOLT 1/4-20 X 3/4" LG.	5	5
14838	LINE- PILOT, CORRUGATED	1	
15187	SWITCH- MINITURE LO VLT/LO AMP	1	1
15196	RING- RETAINING, CNTRL ROD	1	1
15203	COVER- BOX, FILTER WIRING	1	1
15205	BOX- MODIFIED, FILTER WIRING	1	1
15224	VALVE ASSY- EXHAUST, 2K1	1	1
15227	NUT KEPS 1/4-20 SS	1	1
15240	BRACKET- MTG, HI-LIM, 1800E2K1		1
15241	BRACKET- MTG, HI-LIM 1800GH2K1	1	
15279	KIT- REGULATING VALVE REPAIR	1	1
15280	SHAFT ASSY- REG VALVE KIT, 2K1	1	1
15283	CONN COMP 1/2 OD X 1/2 NPTF	1	1
15464	WELL WELD- COOKING, 2400G	1	
15465	COVER- 2400	1	1
15466	O RING- COVER, 2400G	1	1
15471	YOKE BAR WELD- 2400	1	1
15473	BEARING- YOKE BAR 2400	2	2
15485	COVER- FOOT ADAPTER, 2400	2	2
15489	CONTAINER WELD- FILTER, 2400	1	1
15492	SPACER- COVER, 2400	1	1
15495	FILTER PAPER, 2400, 65/BX	1	1
15497	WASHER- BALLSTUD, 2400	6	6
15501	INNER LINER WELD- 2400G, LH	1	
15502	INNER LINER WELD- 2400G, RH	1	
15509	WALL WELD- OUTER, FRONT 2400G	1	
15513	WALL WELD- OUTER, REAR, 2400G	1	
15515	GASKET- POT RIM, 2400	1	1
15518	FRAME WELD- COVER LIFT, 2400	1	1
15520	MOUNT- COVER LIFT, 2400, LH	1	1
15521	BEARING- CONNECTING ROD, 2400		2
15523	ROD- HINGE, COVER LIFT	1	1
15526	SCREEN- PUNCHED, FILTER, 2400		1

**Parts List**

Part Number	Description	Qty Used	
		2400G	2400E
15528	SHIELD WELD- SPLASH, 2400	1	1
15535	PANEL ASSY- SPLSH SHELD, 2400	1	1
15536	SUPPORT- BACK, SPLASH SHIELD,	2	2
15539	CLAMP- COMBUSTN CHAMBER, 2400	2	
15542	DUCT WELD- EXHAUST, 2400	1	
15545	BEARING- HINGE, CVR LIFT, 2400		2
15550	SPRING- GAS, COVER LIFT, 2400	3	3
15551	BALLSTUD- SPRNG MTG, LFT, 2400	6	6
15552	ROD- SLIDE, COVER, ASST, 2400	2	2
15554	MUFFLER ASSY- 2400	1	
15558	LINE WELD- SUCTION, 2400	1	1
15559	LIN WELD- RISER, 2400	1	1
15563	CLIP- SAFETY, GAS SPRING	6	6
15567	ORIFICE, MAIN- 2400GH LP	1	
15575	MOUNT- COVER LIFT, 2400 RH	1	1
15577	MOUNT- COVER LIFT, 2400 MIDDLE	1	1
15578	VALVE- CHECK, 3/4"NPT, 2400	1	
15579	GLIDE- REAR, 2400	2	2
15580	ADAPTOR WELD, FOOT, 2400	2	2
15582	PANEL- FRONT, 2400 FORMED	1	1
15586	COUNTERTOP WELD- 2400	1	1
15591	PAN WELD- DRIP, COVER, 2400	1	1
15598	PIN- GROOVED, 2400	1	1
15599	PANEL- SIDE, 2400 RH	1	1
15600	PANEL- SIDE, 2400 LH	1	1
15602	CAM & HANDLE ASSY- COVER, 2400	1	1
15605	LINE- EXHAUST, 2400	1	1
15606	LINE ASSY- CONDENSATE, 2400	1	1
15607	LINE- DRAIN, CVR DRIP, 2400	1	1
15611	PAN WELD- CONDENSATE, 2400	1	1
15613	ROD WELD- CONTROL, 2400	1	1
15615	CONN COMP 3/4 OD X 3/4 NPT SS	1	1
15616	ELBOW 3/4"OD X 3/4"NPT X 90SS	1	
15618	TANK WELD- MUFFLER, 2400	1	1
15619	COVER WELD- MUFFLER, 2400	1	1
15621	BAR- HOLD DOWN, BEZEL, 2400	1	1
15625	COVER WELD- FILTER, 2400	1	1
15631	PANEL ASSY- CONDENSATE, 2400	1	1
15633	PLUG- ADJSTR, CVR HT, 2400		2
15635	BEZEL- CONTROL PANEL, 2400	1	1
15636	WASHER- PLUG BEARING, 2400	2	2
15637	BOLT- AXLE, 2400	2	2
15638	NUT- AXLE, 2400	2	2

Part Number	Description	Qty Used	
		2400G	2400E
15641	NIPPLE 1/2"NPT X 34.50"LG	1	
15646	TUBE- FILTER RETURN, 2400		1
15647	GRATE- BASKET SUPPORT, 2400GH	1	
15648	ORIFICE- MAIN, 2400GH NAT	1	
15653	GRILL WELD- FRONT, 2400	1	1
15654	WASHER- STOP, CONN ROD, 2400	2	2
15656	LIFTER BOX, COVER, 2400	1	1
15657	COVER- TOP, LIFT	1	1
15661	BASKET WELD- 2400	1	
15667	LABEL- GAS SPECS, 2400	1	
15676	LINKAGE WELD- OPERATOR, 2400	1	1
15678	LIFTER ASSY- BASKET, 2400	1	1
15684	FRAME- PAINTED, 2400	1	1
15685	PIN- PIVOT, 2400	2	2
15686	STOP- FILTER PAN, 2400	2	2
15694	LABEL- RELIGHTING, 2400G	1	
15696	GUARD- CAPILLARY, 2400G	1	
15703	FOOT- 2.12"DIA, 2400	2	2
15704	HOLD DOWN- PLATED FILTER, 2400	1	1
15705	BUSHING- DRAIN VALVE, 2400	1	
15707	DISK- SPLASH, 2400	1	
15708	CONTROLLER- TEMP N TIME	1	1
15713	KEEPER- INSULATION MTG, 2400	8	
15714	INSULATION- COMB CHMBR, 2400GH	1	
15724	PLATE- DANGER, FORMED, 2400	1	1
15725	LABEL- FILTER PAN	1	1
15730	GASKET- MUFFLER, 2400	1	1
15733	WASHER- HEAVY DUTY, 2400	6	6
15737	SCREW WELD- THUMB, LIFT COVER	2	2
15785	LABEL- FILTER PAN (LONG)	1	
15840	VALVE- GAS, 2400GHCE	1	
15897	RELAY- 208/240VAC, 8A,SPDT		2
16125	HEATING ELEMENT- 208V 5800W		1
16126	HEATING ELEMENT- 208V 9200W		1
16127	HEATING ELEMENT, 230V, 5800W		1
16128	HEATING ELEMENT, 230V, 9200W		1
16130	SPACER- ELEMENT, 2400E		4
16134	O RING- HEATER SEAL, 2400E		4
16135	BOX WELD- CONTACTOR, 2400E		1
16137	WELL WELD- COOKING, 2400E		1
16138	GUARD- CAPILLARY, 2400E		1
16139	PROBE- FORMED, 2400E		1
16140	CONTACTOR- 60A, 208/240V 2400E		1

## Parts List

Part Number	Description	Qty Used	
		2400G	2400E
16141	BULB PLATE- 2400E		1
16149	BASKET WELD- 2400E		1
16159	NUT- MTG HEATER, 2400E		4
16160	WASHER- MTG HEATER, 2400E		4
16170	UNION- .500" OD X .500" OD SS	1	1
16181	GUIDE WELD- BASKET, 2400E		4
16213	LINE- RETURN, FILTER, 2400GH	1	
16215	ELBOW 1/2 X 45 ST BI	1	
16239	CLAMP- GAS LINE, 2400GH	2	
16257	RELAY- 230V, 10A, DPDT TD		1
16258	RELAY- 220/240V, 10A, DPDT		1
16267	PIN- BRIDGE, 1.25" X .105 WIRE	1	1
16277	ARC SUPPRESSOR ASSY		1
16292	SCREW RD HD #6-32 X .750 PHL		4
17631	INSULATION 3"	2	
17998	HANDLE WELD- DRAIN, 2400	1	1
17999	VALVE- DRAIN, 1-1/2"NPT	1	1
70108	CORD- POWER, 120V	1	
70210	NUT- HEX, 3/18-16	2	2



**Broaster Company**  
2855 Cranston Road, Beloit, WI 53511-3991  
608/365-0193  
**broaster.com**