

# **BROASTER®**

EQUIPMENT

## **PARTS MANUAL**

### **BROASTER® 1600 AND 1800**

### **PRESSURE FRYER w/SMART TOUCH CONTROL**

**Be sure ALL installers read, understand, and have access to this manual at all times.**



Genuine Broaster Chicken®, Broasted®, Broaster Chicken®, Broaster Foods®, and Broasterie® are registered trademarks. Usage is available only to licensed operators with written authorization from The Broaster Company.

**Broaster Company**  
2855 Cranston Road, Beloit, WI 53511-3991  
608/365-0193 [broaster.com](http://broaster.com)

Design Certified By:  
1600: CSA, NSF and UL  
1800: CSA (AGA & CGA), NSF and UL

Manual 17271 12/14 Rev 2/23

© 1999 Broaster Company  
Printed In U.S.A.



## FOR YOUR SAFETY

Do not use or store gasoline or other flammable vapors or liquids in the vicinity of this or any other appliance.



**WARNING** Improper installation, adjustments, alteration, service or maintenance can cause property damage, injury or death. Read the installation, operating and maintenance instructions thoroughly before installing or servicing this equipment.

For the sake of safety and clarity, the following words used in this manual are defined as follows:



**DANGER** Indicates an imminently hazardous situation which, if not avoided, could result in serious injury or death.



**WARNING** Indicates a potentially hazardous situation which, if not avoided, could result in serious injury or death.



**CAUTION** Indicates a potentially hazardous situation which, if not avoided, could result in minor injury, property damage or both.

All adjustments and repairs shall be made by an authorized Broaster Company representative.

If there is a power failure, turn cook/filter switch OFF. On the Model 2400GH, also slide switch on gas valve OFF. DO NOT attempt to operate unit during a power failure.



**WARNING** Failure to read and understand this manual completely could result in serious injury or death. Be sure ALL operators read, understand and have access to this manual at all times.



**WARNING** Rags or paper containing cooking oil can catch fire if exposed to heat. Laundering will not remove the oil. Dispose of all oil-soiled papers and rags in a trash container that is in a ventilated area away from all cooking equipment or other heat sources such as direct sunlight.



**WARNING** If at any time the **POWER ON** light does not turn off when the cook/filter switch is moved to the OFF position, disconnect the power to the fryer and contact your local Broaster Company representative for service immediately.



**WARNING** DO NOT operate unit without filter pan and filter pan cover in its proper position. Filter pan cover must be wiped clean after each filtering cycle.



**WARNING** Make sure Pressure Relief Valve and Pressure Gauge ports on bottom of cover are clear of any oil or grease buildup.

cont'd on next page

**1800GH:**

Post, in prominent locations, instructions to be followed in the event that the user smells gas. This information can be obtained from your local gas supplier.

**⚠ WARNING** Make sure a restraining device is used that complies with the Standard for *Commercial Gas Ranges, ANSI Z83.11/ CSA 1.8* to guard against transmission of strain to the gas connectors.

**⚠ DANGER** Failure to restrain the fryer could allow it to move, causing hot shortening to spill out, or a possible break in the gas line causing an explosive condition.

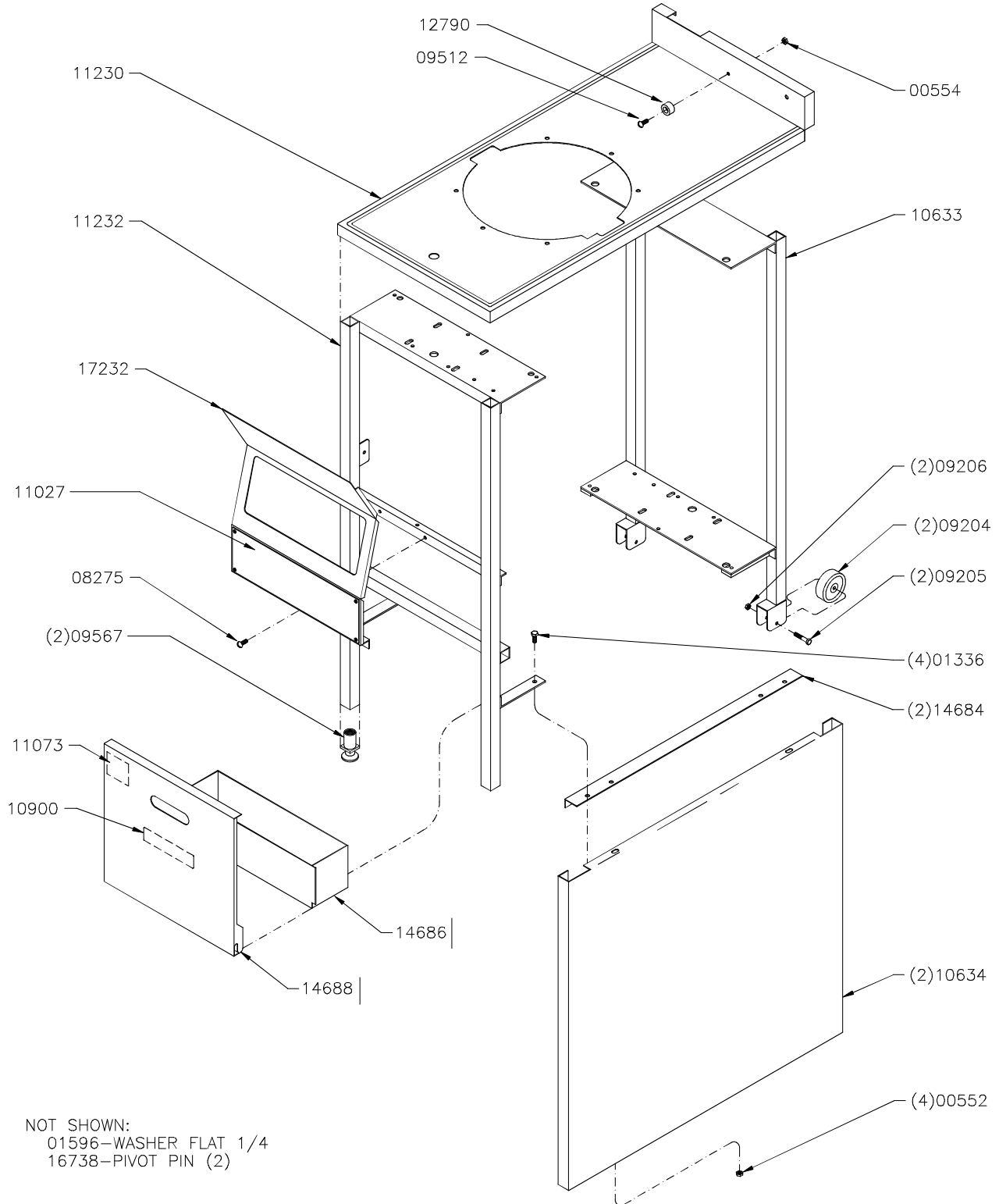
# TABLE OF CONTENTS

<b>1 - OUTER PANEL</b>	
1600 .....	1 - 1
1800 .....	1 - 2
<b>2 - COOKING WELL GROUP</b>	
1600 .....	2 - 1
1800 .....	2 - 2
<b>3 - CONTROL PANELS</b>	
1600 ST .....	3 - 1
1800E ST .....	3 - 2
1800GH ST .....	3 - 3
<b>4 - COVER AND YOKE GROUP</b>	
1600 .....	4 - 1
1800 .....	4 - 2
<b>5 - PRESSURE EXHAUST SYSTEM</b>	
1600 .....	5 - 1
1800 .....	5 - 2
<b>6 - PRESSURE REGULATING VALVE</b>	
<b>7 - POWER INPUT BOX</b>	
1600 .....	7 - 1
1800E .....	7 - 2
1800GH .....	7 - 3
<b>8 - COOKING WELL PARTS</b>	
1600 .....	8 - 1
1800 .....	8 - 2
<b>9 - 1800GH BURNER ASSEMBLY</b>	
1800GH .....	9 - 1
<b>10 - 1800GH COMBUSTION CHAMBER</b>	
<b>11 - FILTER SYSTEM</b>	
1600 .....	11 - 1
1800E .....	11 - 2
1800GH .....	11 - 3
<b>12 - FOOD BASKET</b> .....	12 - 1
<b>13 - PART NUMBER LIST</b> .....	13 - 1

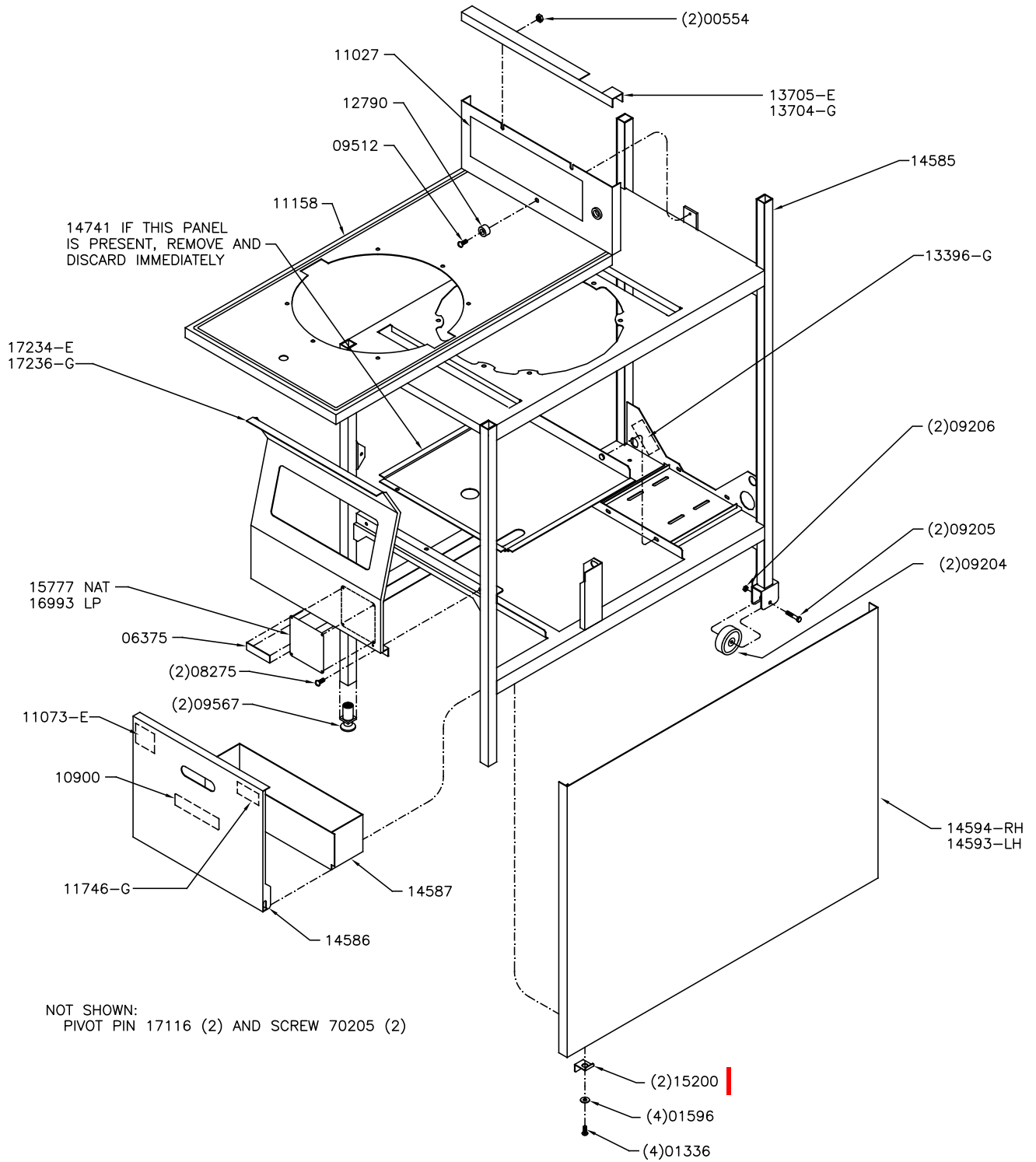


# 1 - OUTER PANELS

## Model 1600:



**Model 1800:**

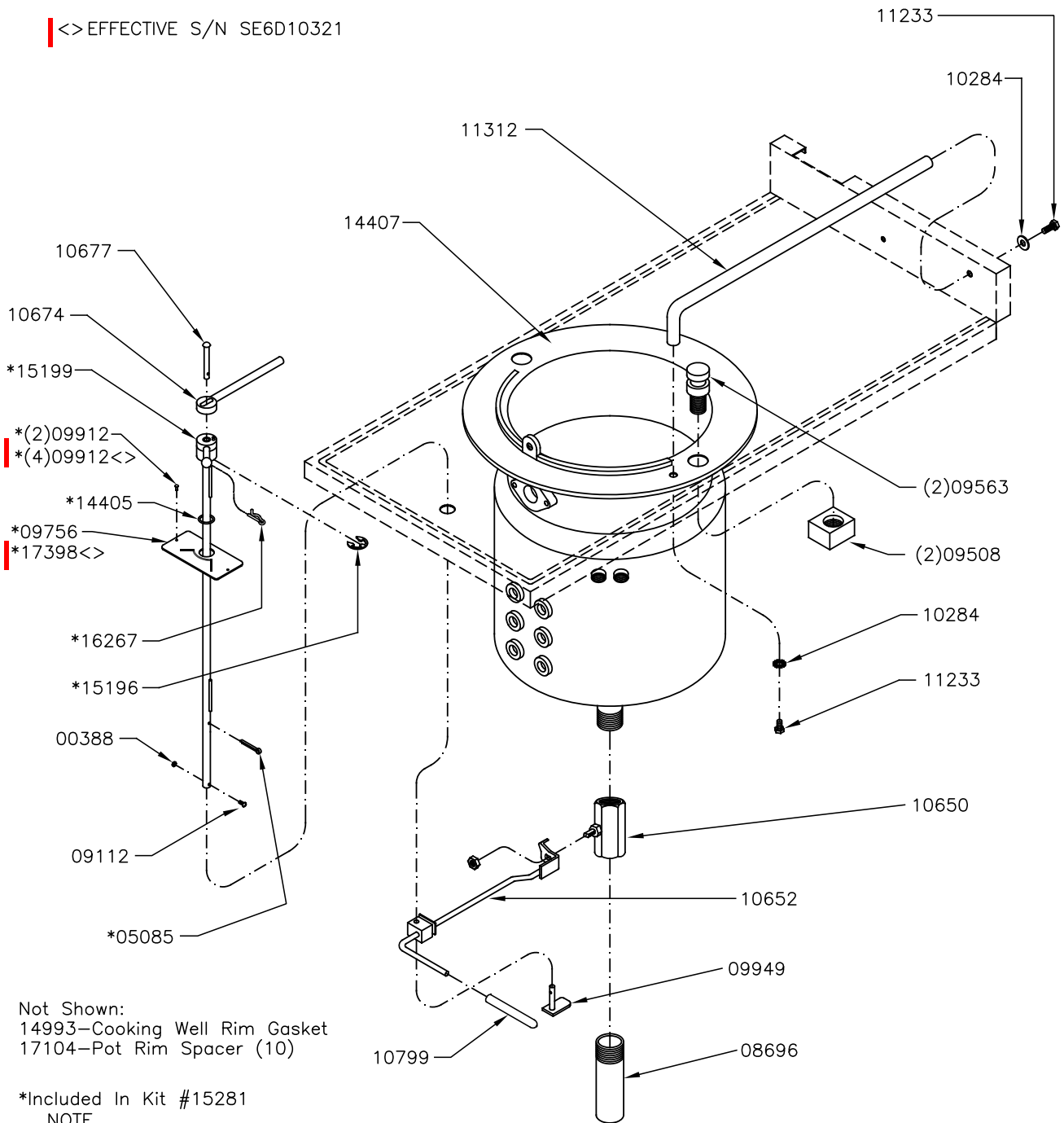




# 2 - COOKING WELL GROUP

## Model 1600:

<> EFFECTIVE S/N SE6D10321



Not Shown:  
 14993-Cooking Well Rim Gasket  
 17104-Pot Rim Spacer (10)

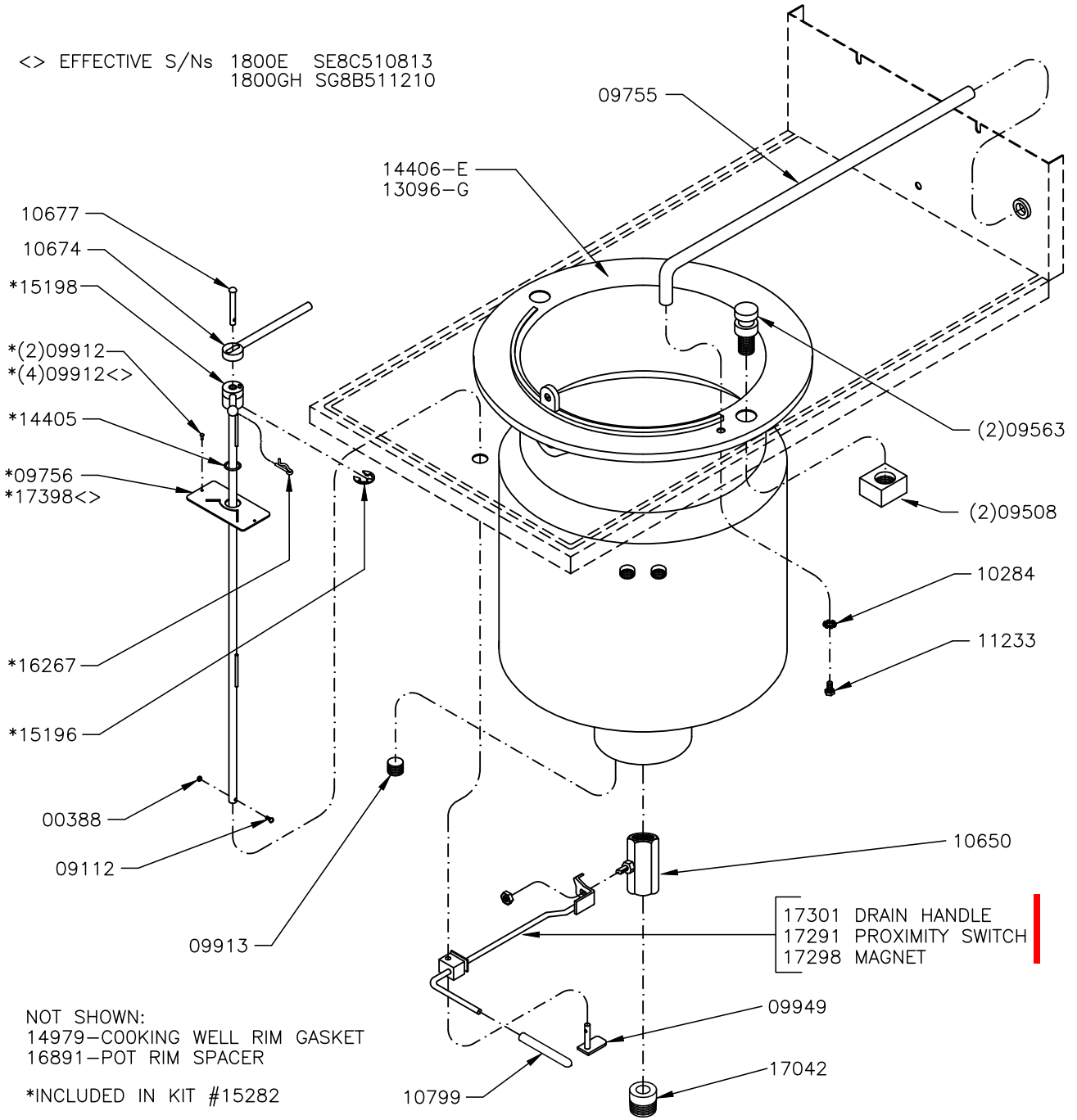
\*Included In Kit #15281

**NOTE**

Kit is required for models prior to:  
 SE6D100613  
 SE6D100651

**Model 1800:**

<> EFFECTIVE S/Ns 1800E SE8C510813  
1800GH SG8B511210



NOT SHOWN:  
14979-COOKING WELL RIM GASKET  
16891-POT RIM SPACER

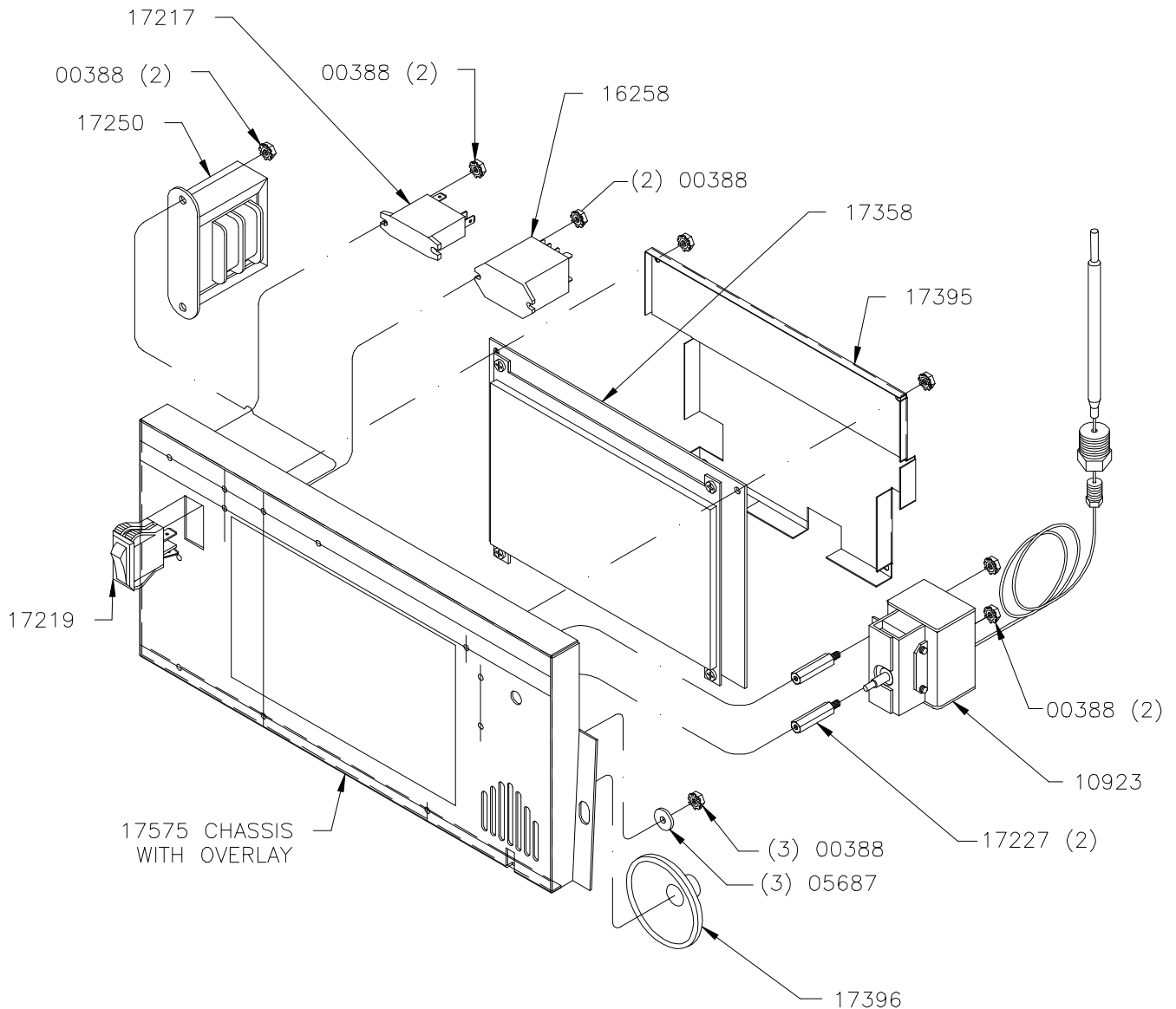
\*INCLUDED IN KIT #15282

NOTE:  
KIT IS REQUIRED FOR MODELS PRIOR TO:  
SE8D101763  
SE8D101961  
SG8D100850

# 3 - CONTROL PANELS

## Model 1600 Smart Touch Control Panel:

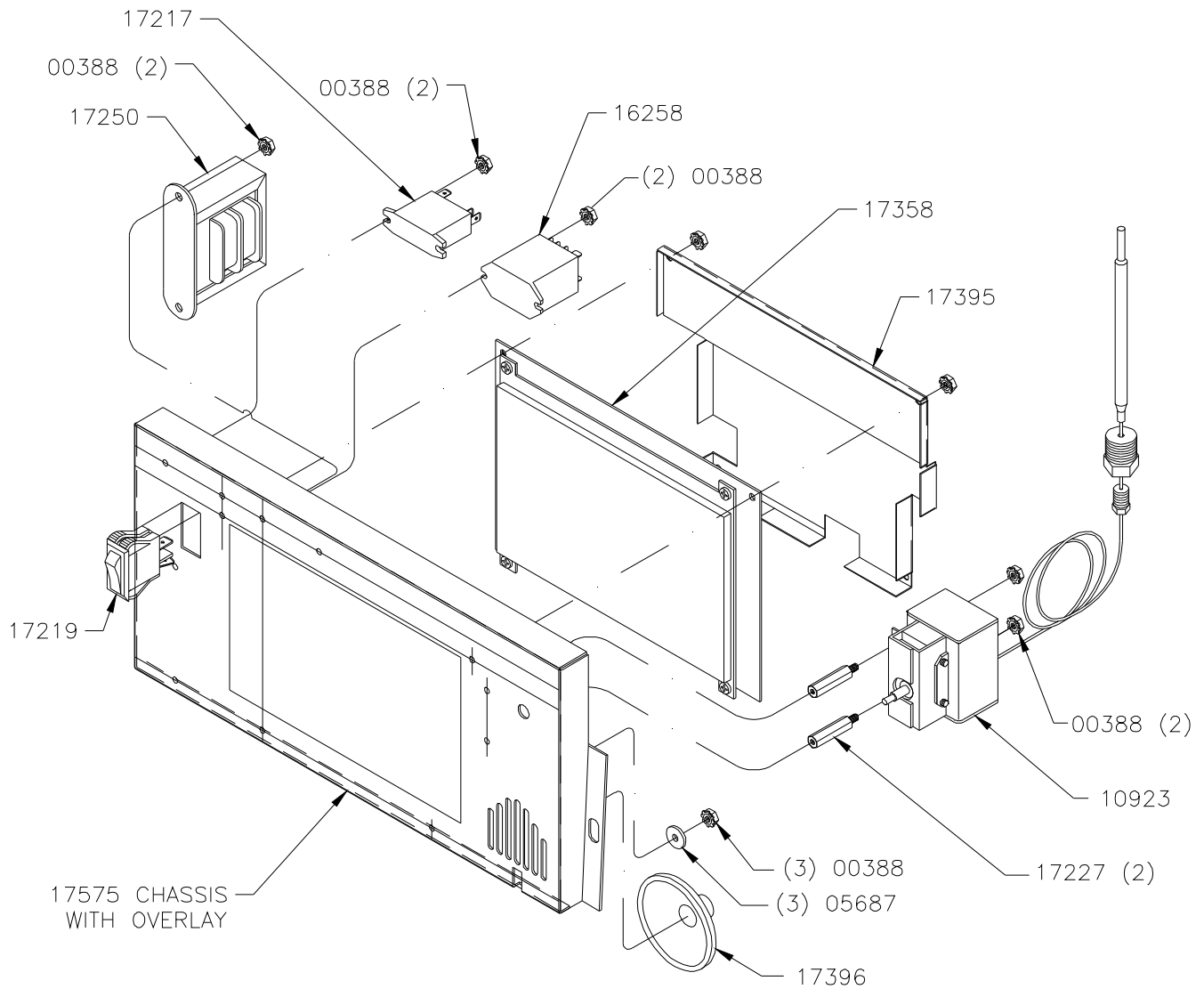
17226 CONTROL, CHASSIS W/OVERLAY & SPEAKER.



NOT SHOWN:  
 11743—MALE CONNECTOR  
 11744—HEX BUSHING  
 17229—USB CABLE  
 17230—USB CABLE COVER  
 17700—TEMP. SENS. PROBE—1600

## Model 1800E Smart Touch Control Panel:

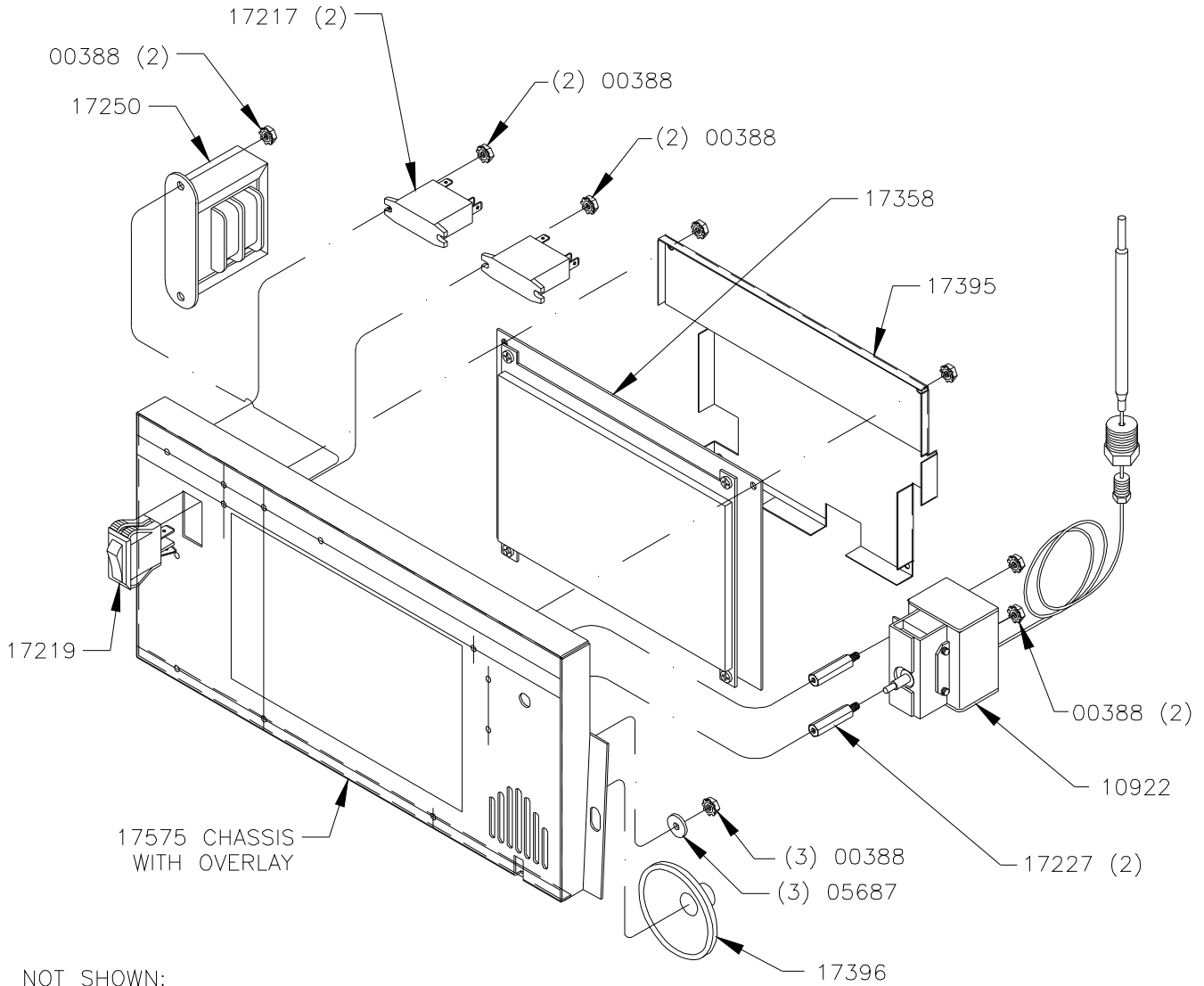
17226 CONTROL, CHASSIS W/OVERLAY & SPEAKER.



NOT SHOWN:  
 11743—MALE CONNECTOR  
 11744—HEX BUSHING  
 17229—USB CABLE  
 17230—USB CABLE COVER  
 17701—TEMP. SENS. PROBE 1800E

# Model 1800GH Smart Touch Control Panel:

17226 CONTROL, CHASSIS W/OVERLAY & SPEAKER.



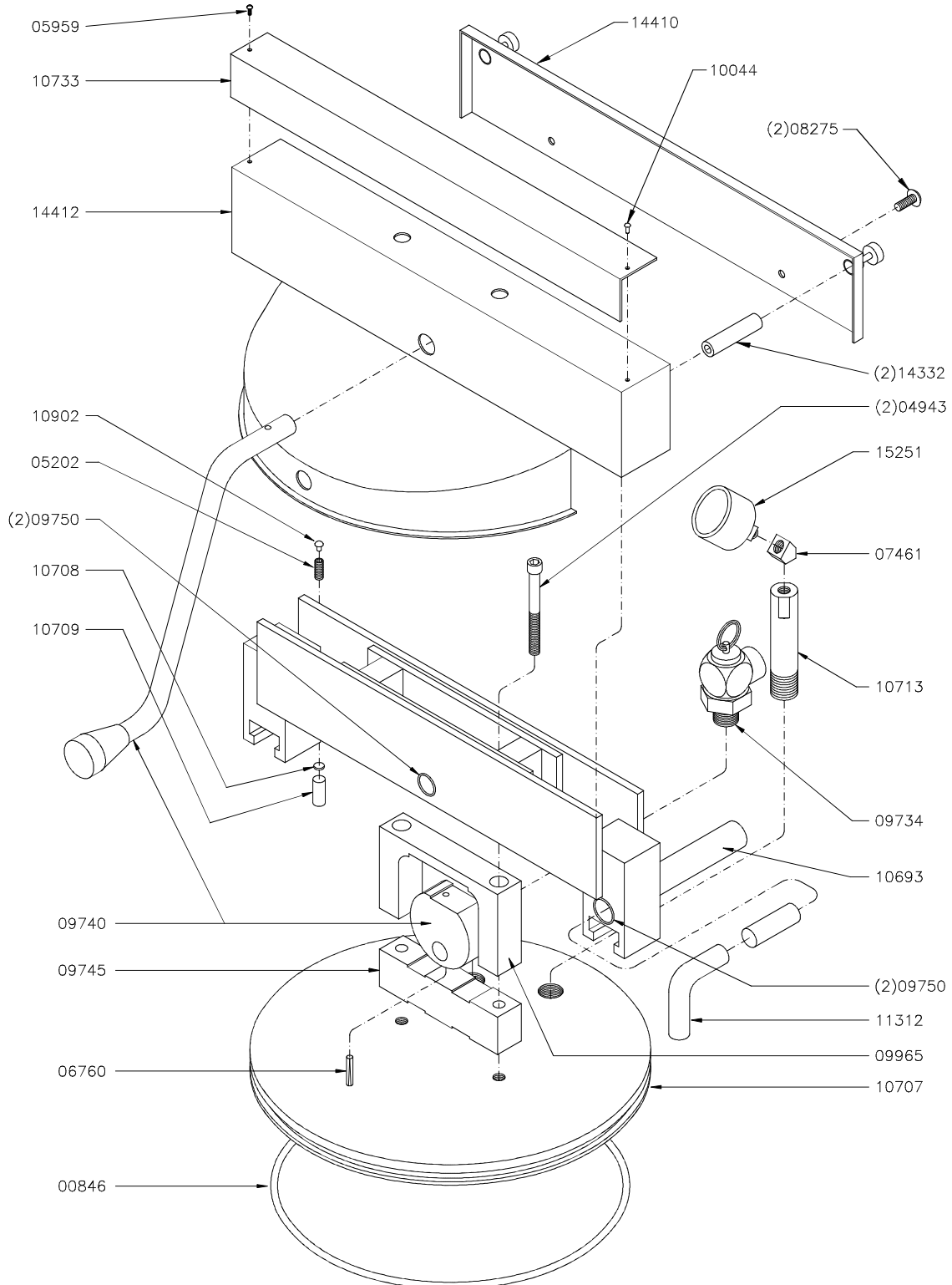
NOT SHOWN:

- 11743—MALE CONNECTOR
- 11744—HEX BUSHING
- 17229—USB CABLE
- 17230—USB CABLE COVER
- 17702—TEMP. SENS. PROBE—1800GH

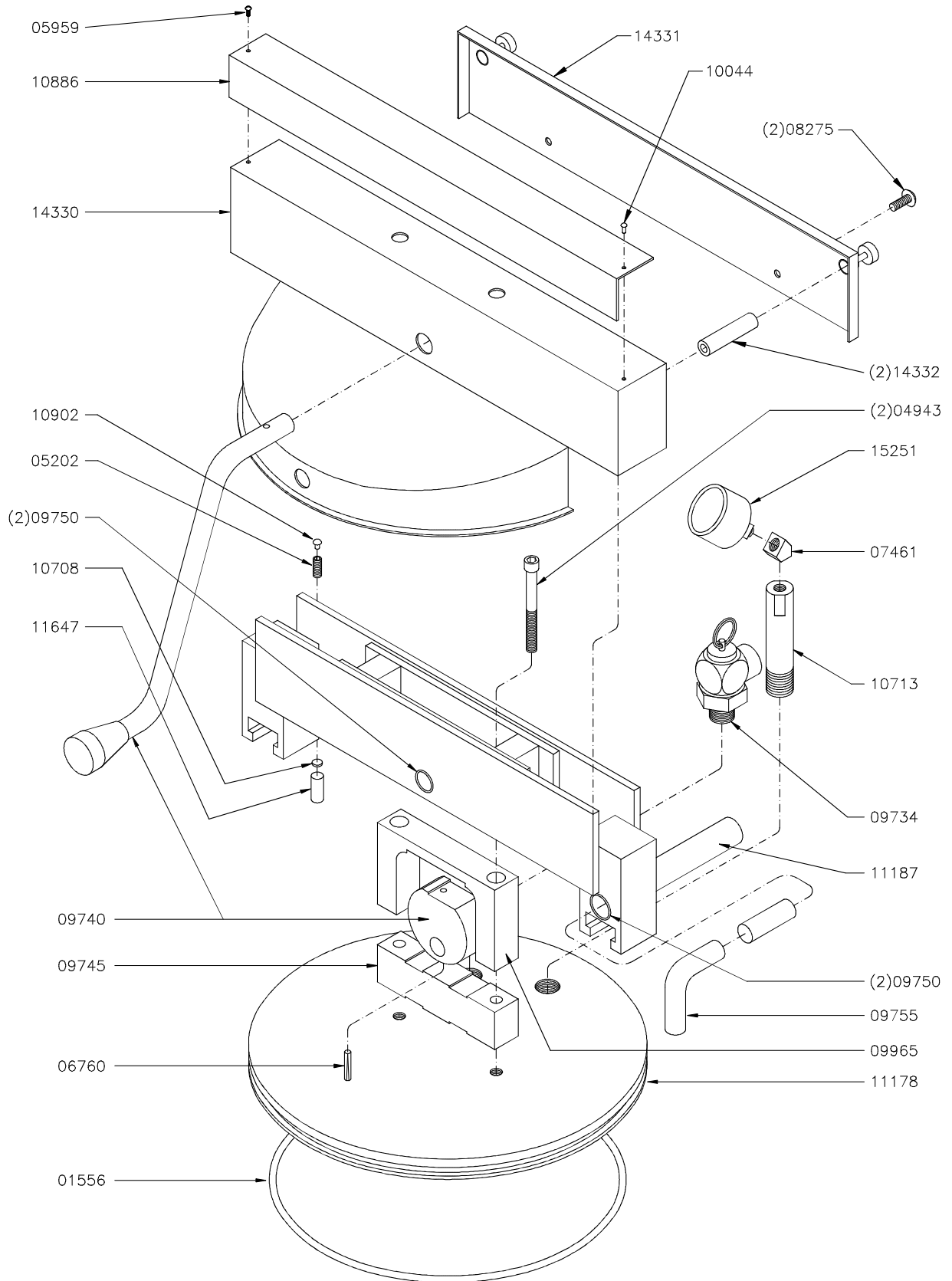


# 4 - COVER AND YOKE GROUP

## Model 1600:



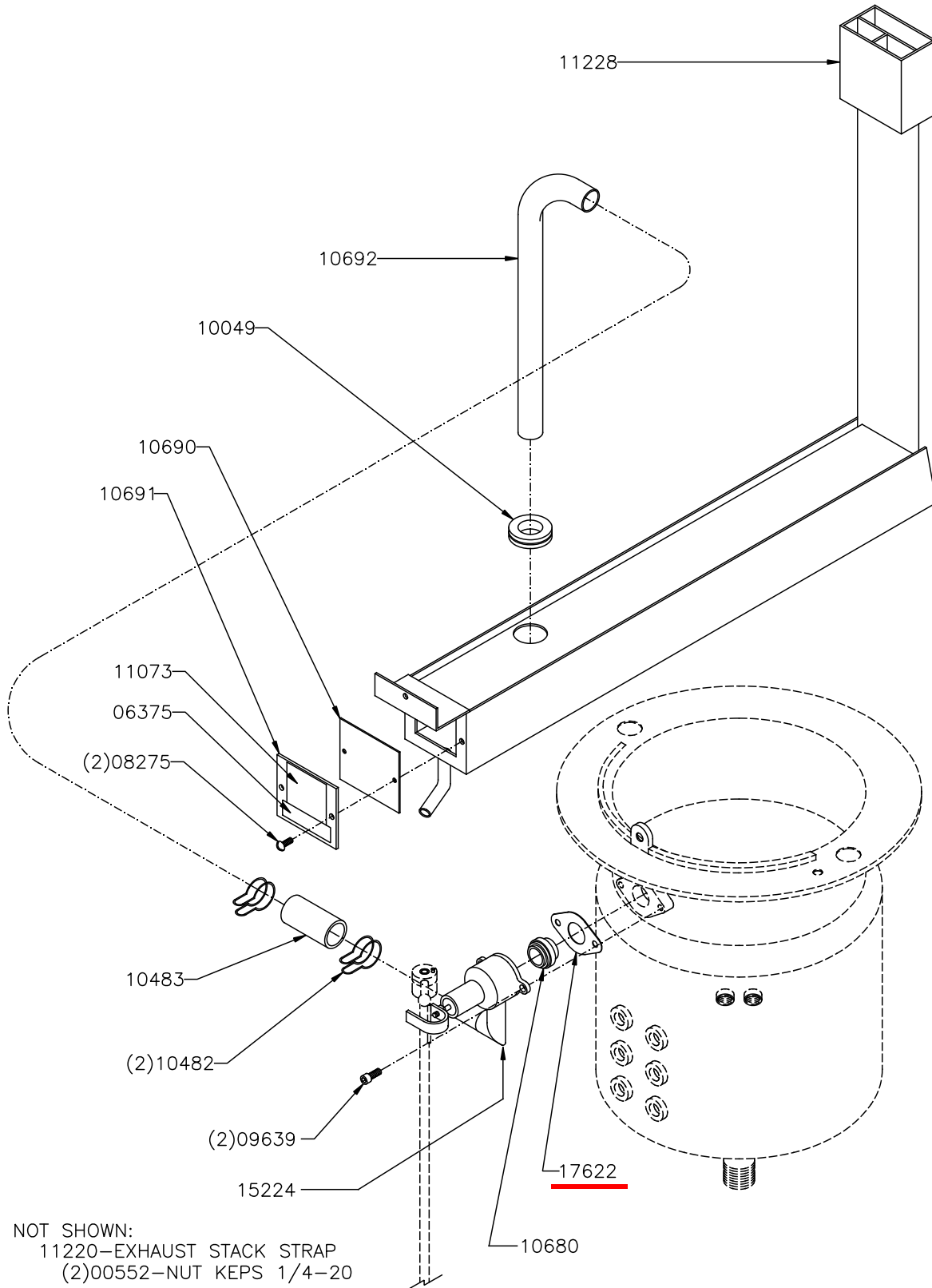
**Model 1800:**



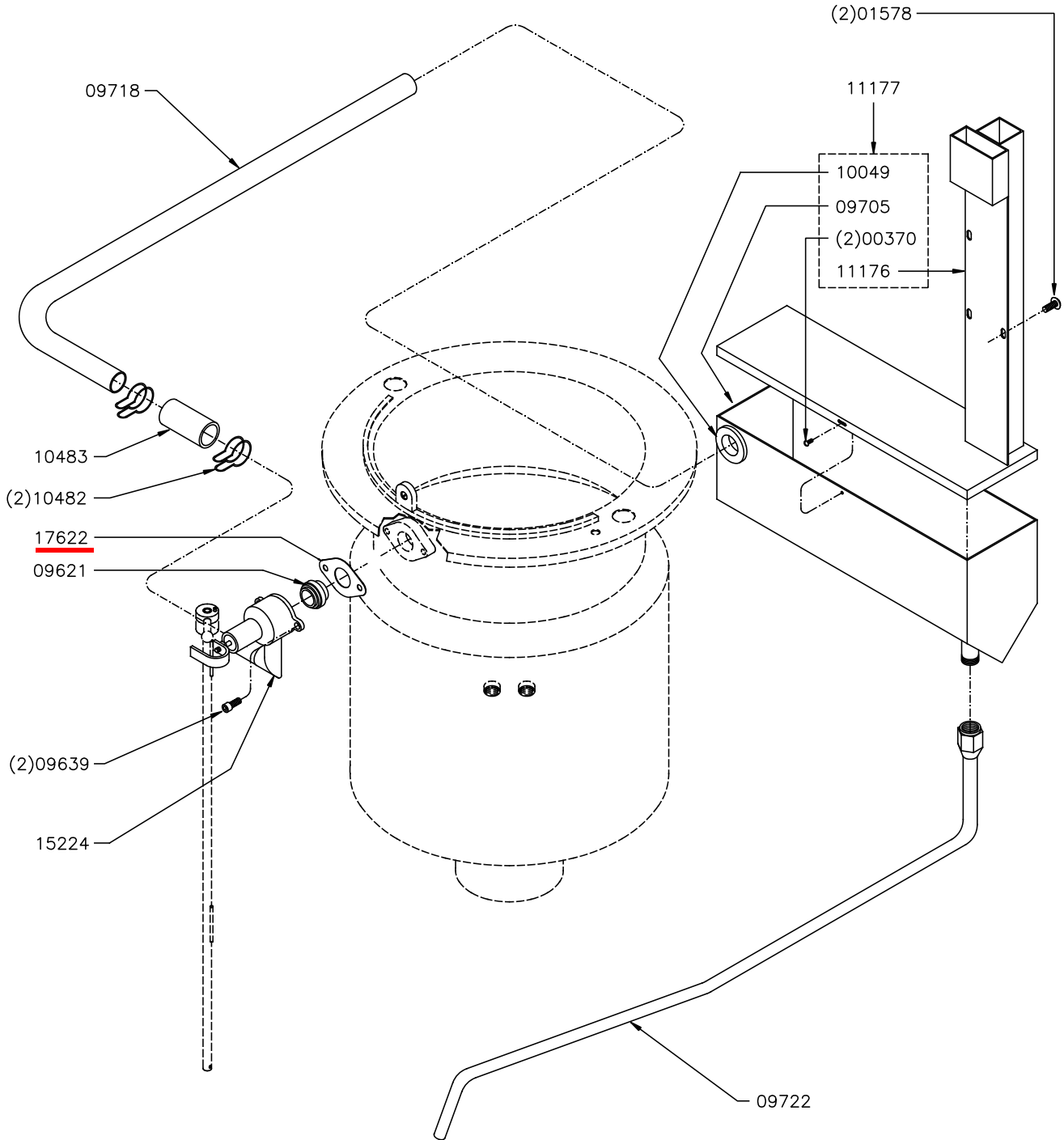


# 5 - PRESSURE AND EXHAUST SYSTEM

Model 1600:

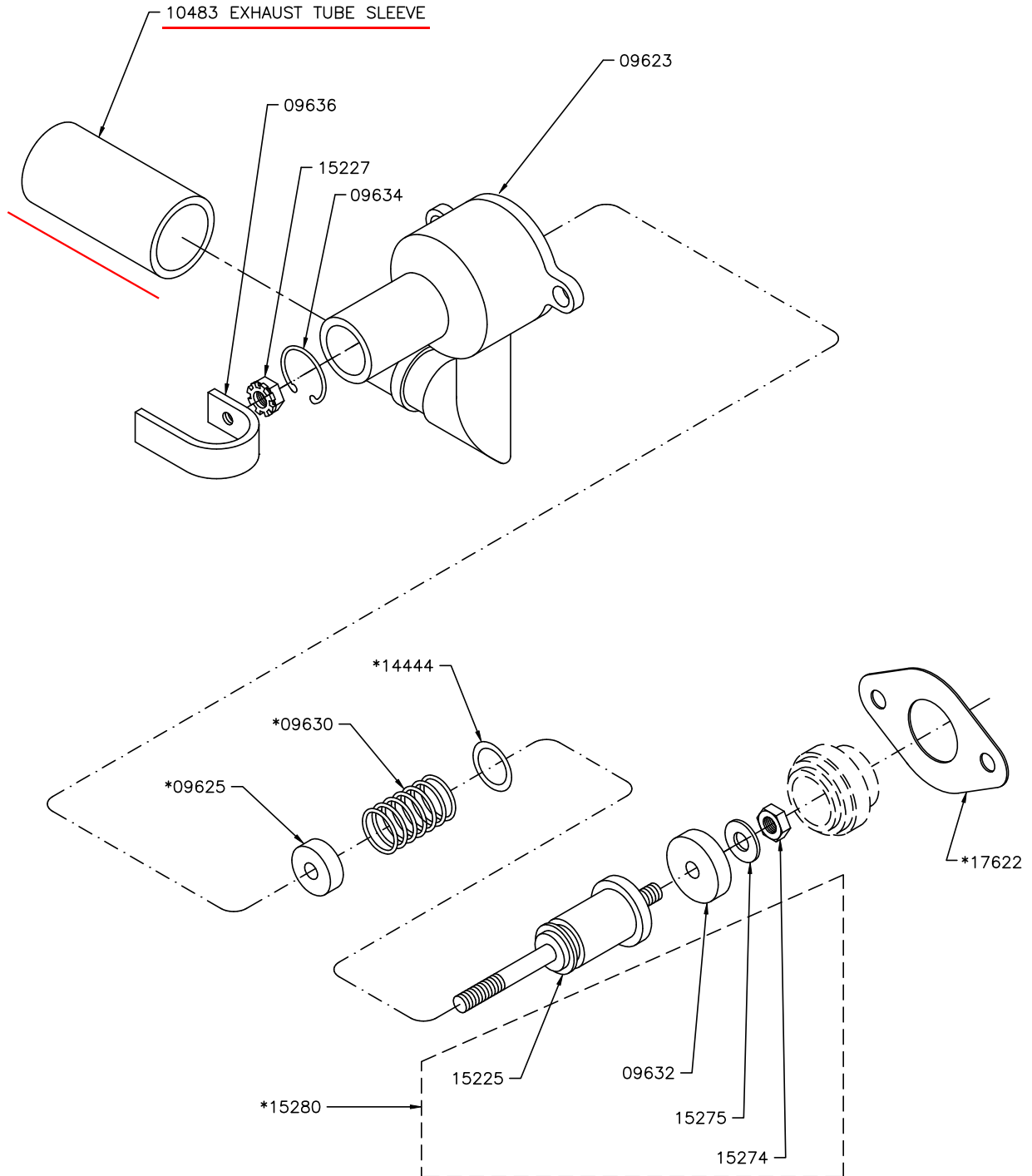


**Model 1800:**



# 6 - PRESSURE REGULATING VALVE

COMPLETE VALVE ASSEMBLY 15224  
GASKET 17622 SOLD SEPARATELY

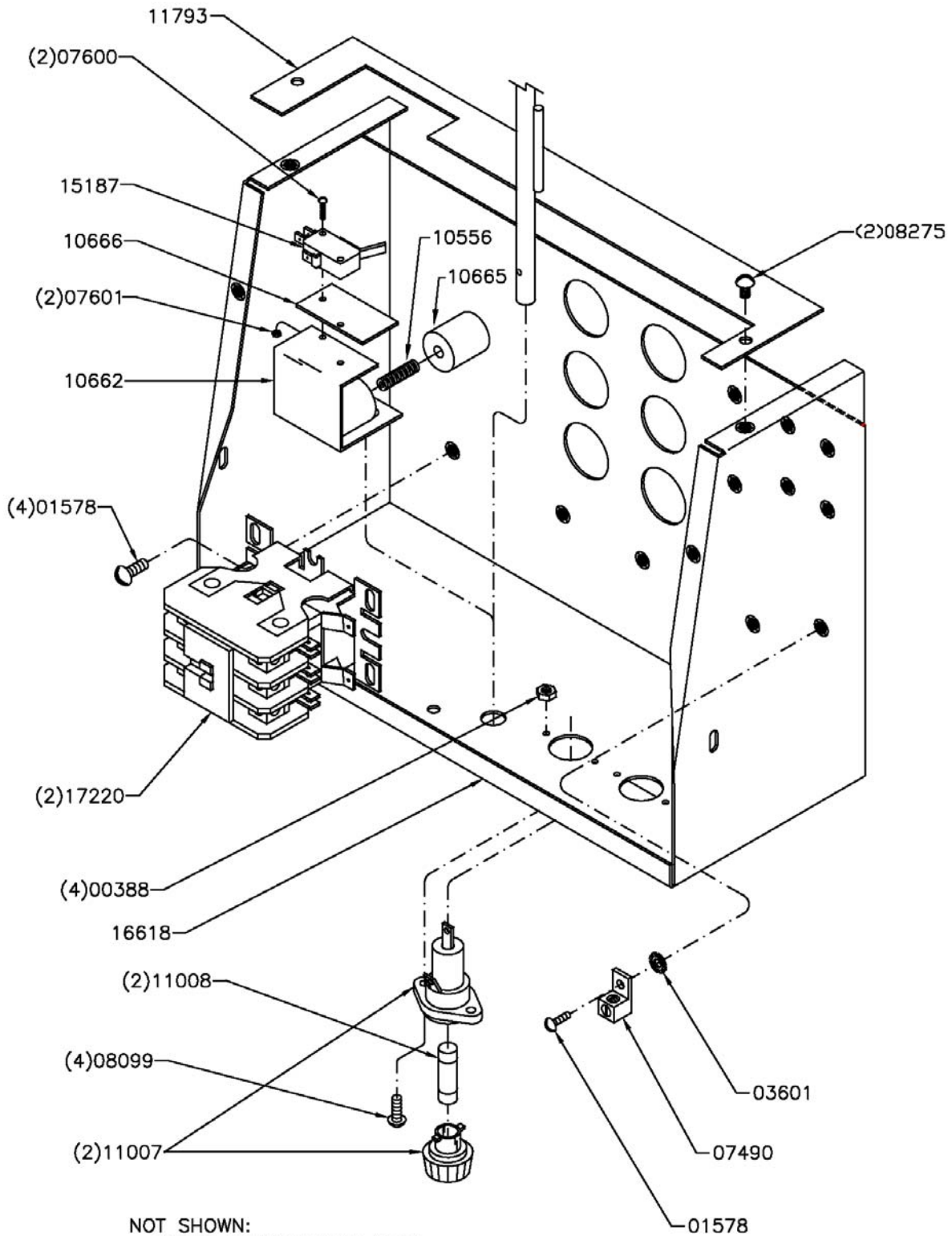


\*=INCLUDED IN #15279 PRESSURE VALVE REPAIR KIT



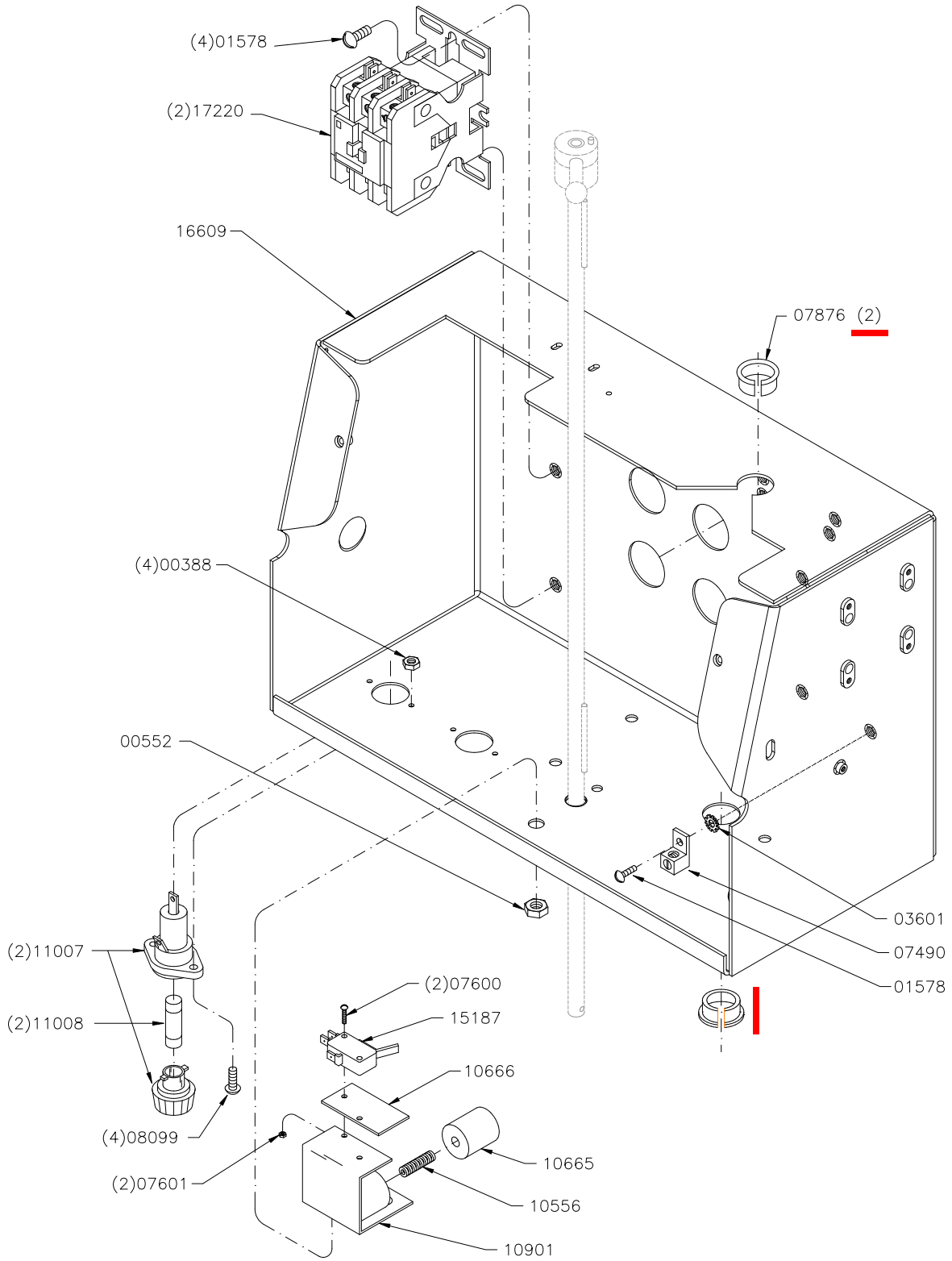
# 7 - POWER INPUT BOX

Model 1600:



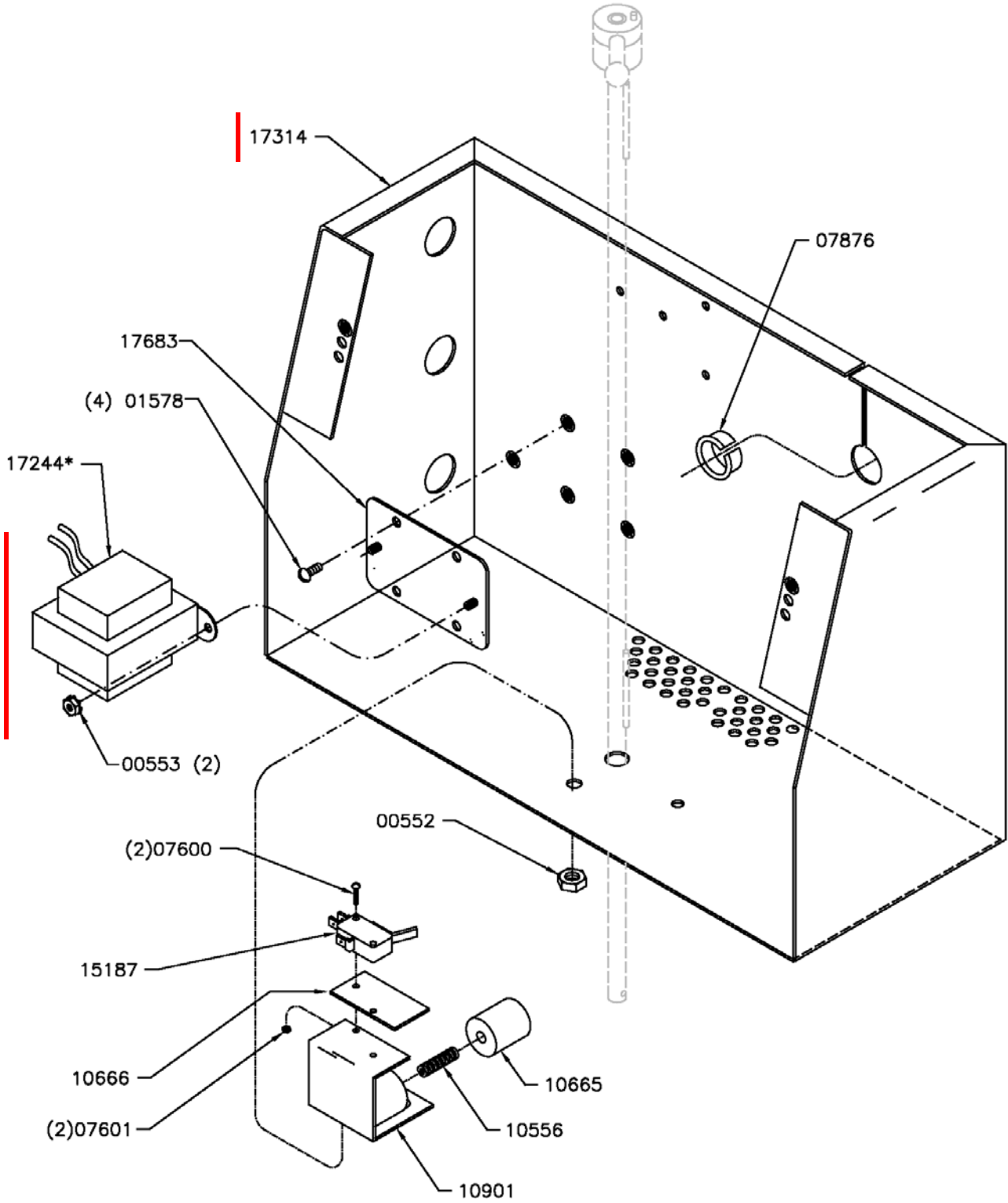
NOT SHOWN:  
11009-HEATER WIRE ASSY  
07876-BUSHING INSULATING 7/8 O/C

**Model 1800E:**



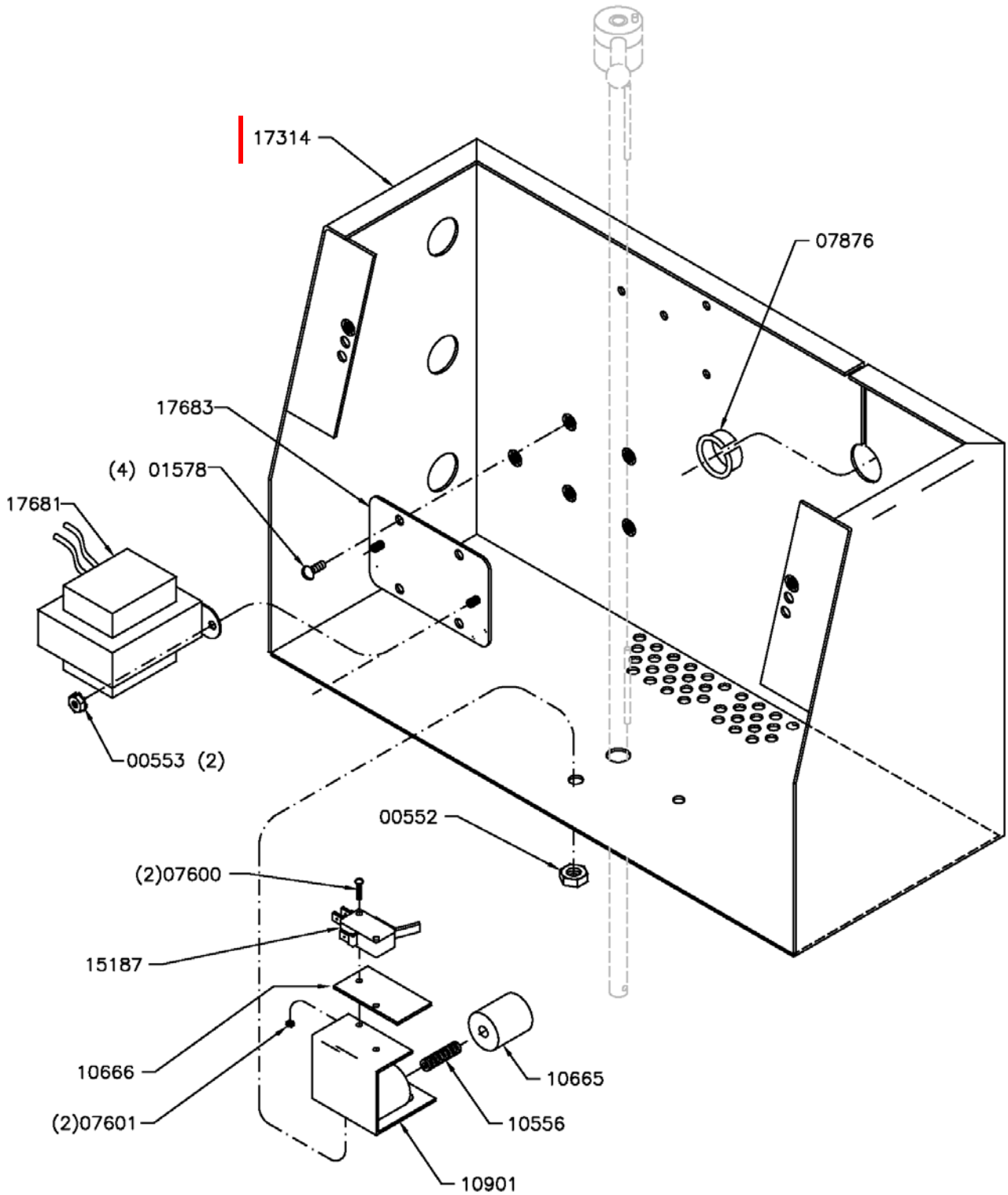
NOT SHOWN:  
11009-HEATER WIRE ASSY

**Model 1800GH:**



\* IF TRANSFORMER IS NOT DAMAGED. USE WIRE ASSEMBLY REPLACEMENT KIT #17152 TO REPLACE WIRES.

**Model 1800GHXP**



\* IF TRANSFORMER IS NOT DAMAGED. USE WIRE ASSEMBLY REPLACEMENT KIT #17152 TO REPLACE WIRES.

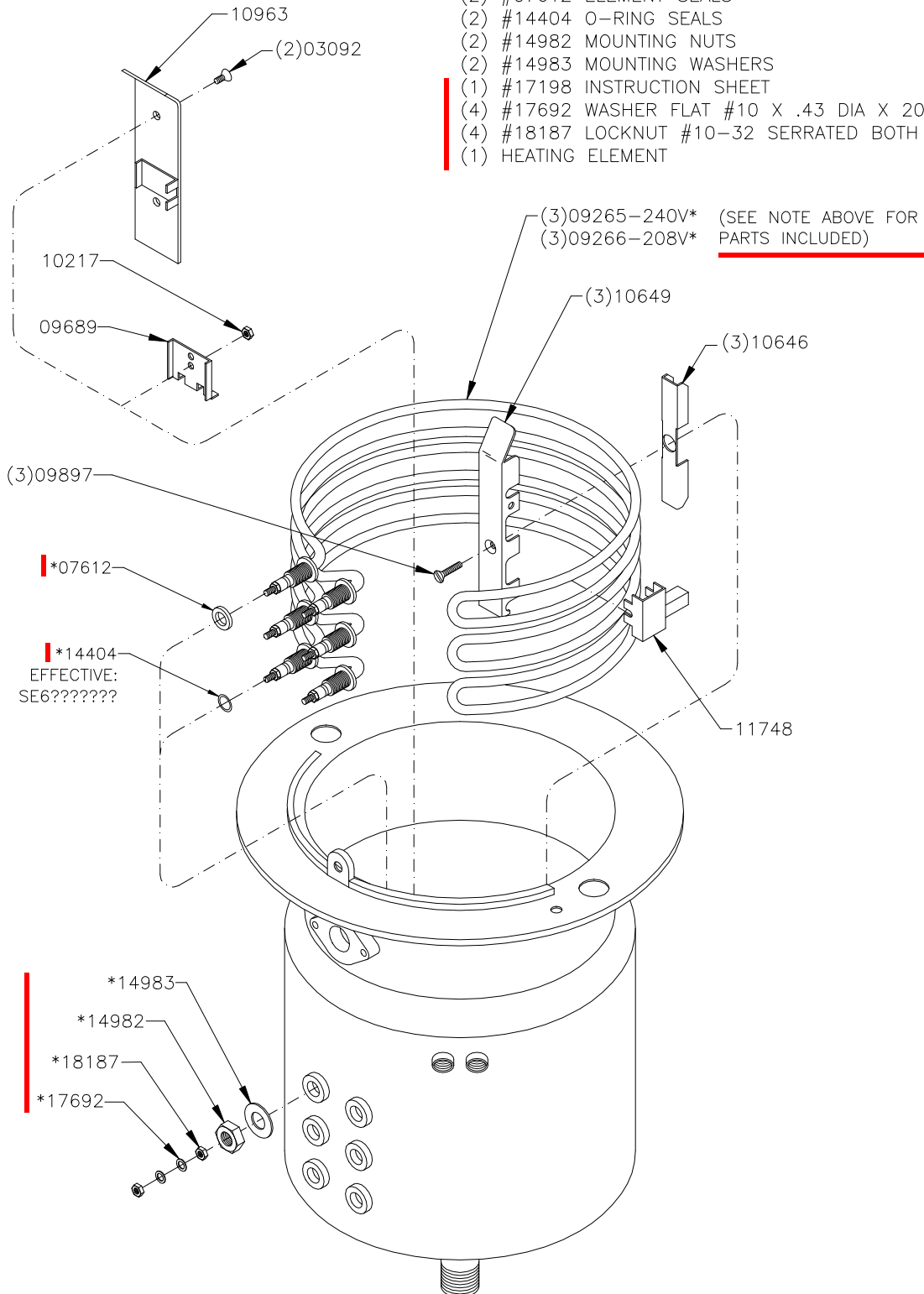


# 8 - COOKING WELL PARTS

Model 1600:

\*INCLUDED WITH HEATING ELEMENT:

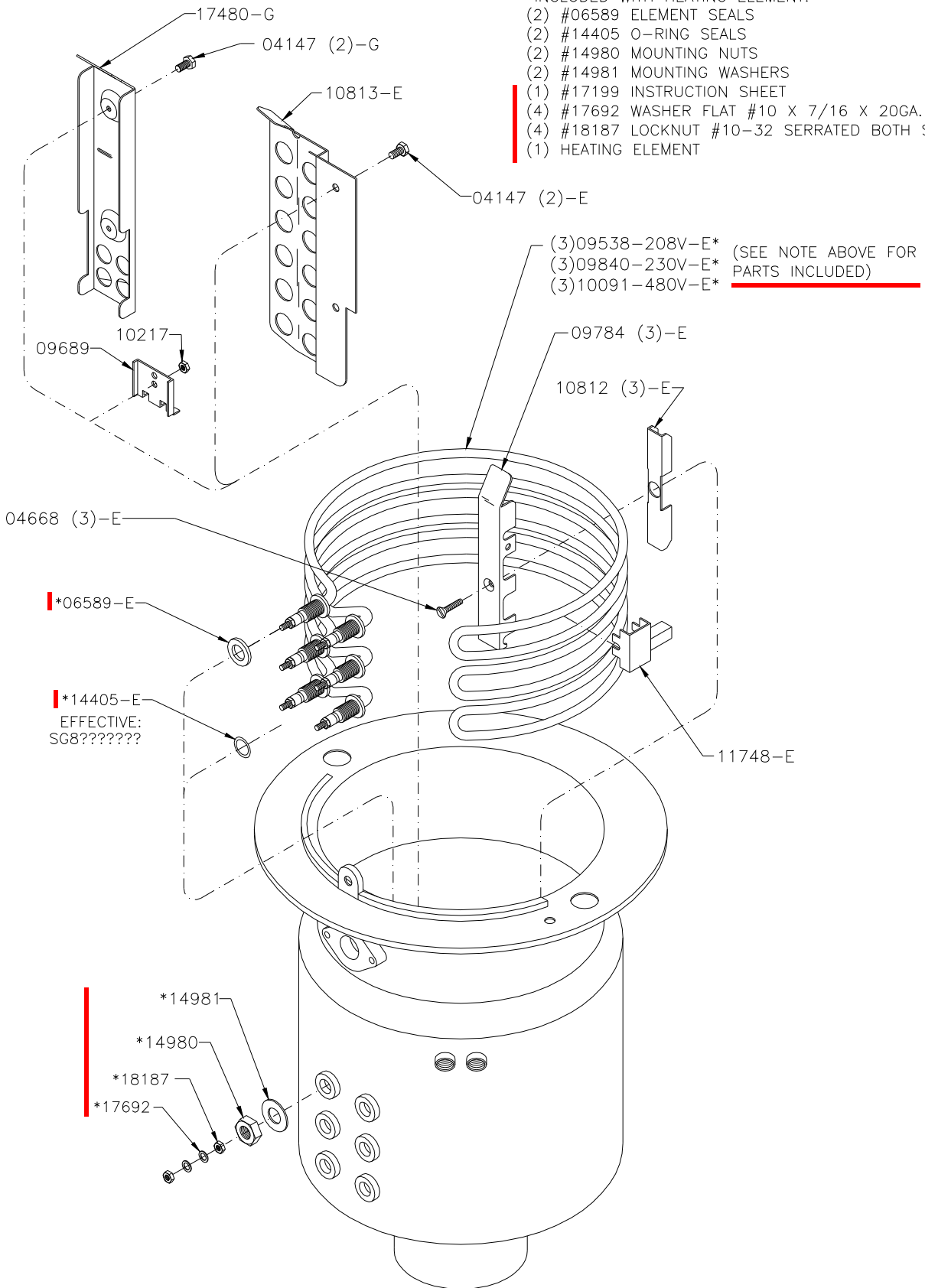
- (2) #07612 ELEMENT SEALS
- (2) #14404 O-RING SEALS
- (2) #14982 MOUNTING NUTS
- (2) #14983 MOUNTING WASHERS
- (1) #17198 INSTRUCTION SHEET
- (4) #17692 WASHER FLAT #10 X .43 DIA X 20GA.
- (4) #18187 LOCKNUT #10-32 SERRATED BOTH SIDES
- (1) HEATING ELEMENT



**Model 1800:**

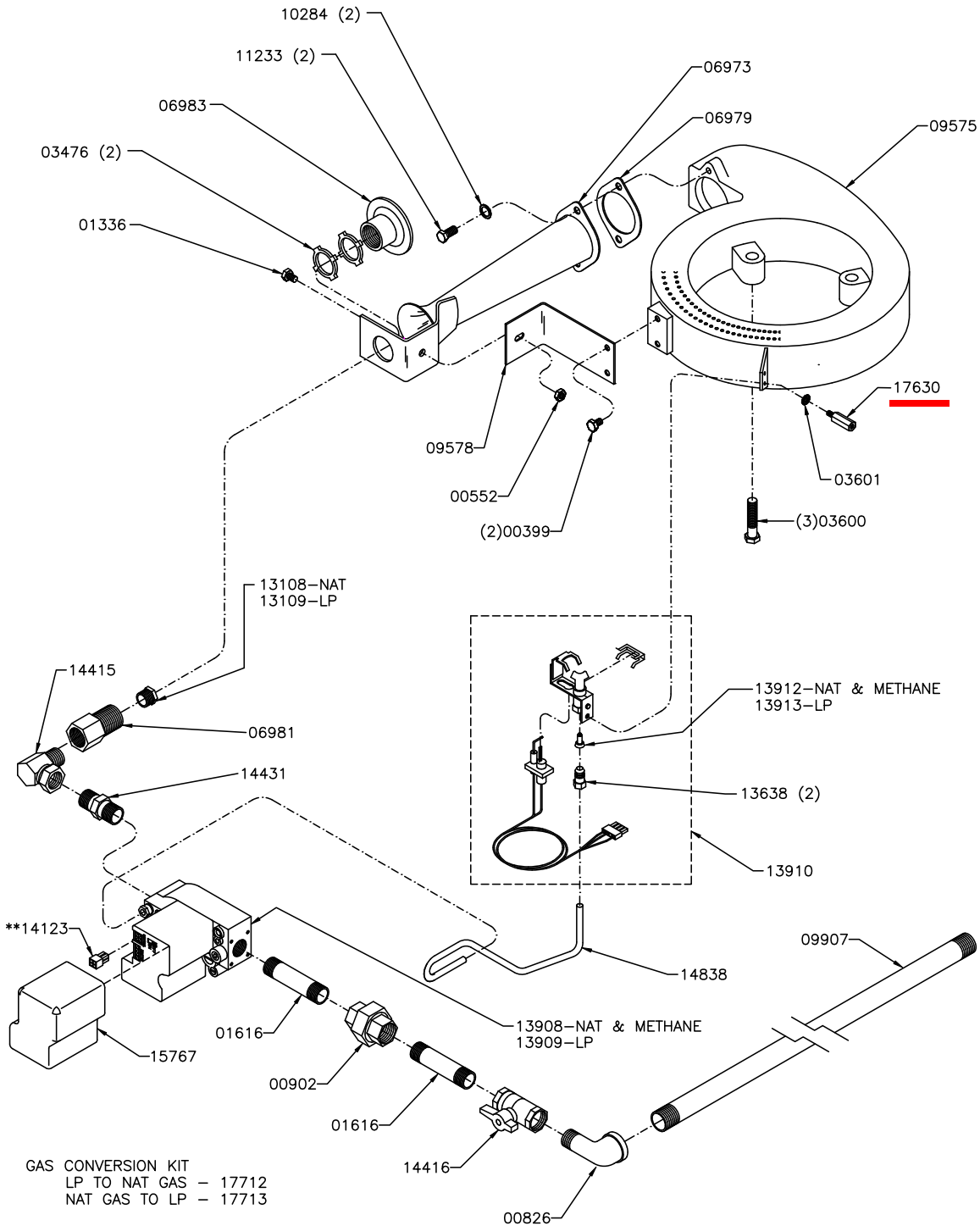
**\*INCLUDED WITH HEATING ELEMENT:**

- (2) #06589 ELEMENT SEALS
- (2) #14405 O-RING SEALS
- (2) #14980 MOUNTING NUTS
- (2) #14981 MOUNTING WASHERS
- (1) #17199 INSTRUCTION SHEET
- (4) #17692 WASHER FLAT #10 X 7/16 X 20GA.
- (4) #18187 LOCKNUT #10-32 SERRATED BOTH SIDES
- (1) HEATING ELEMENT



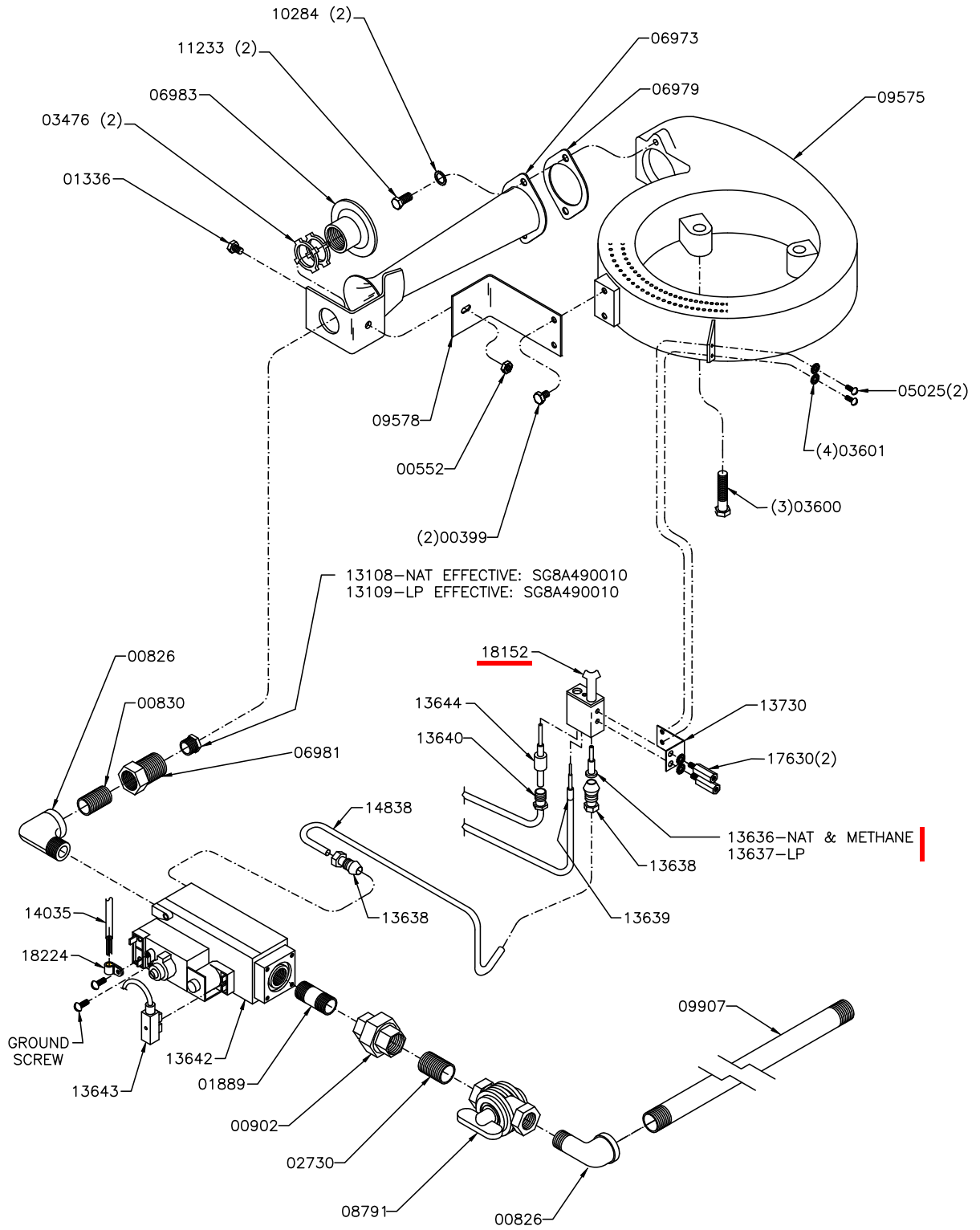
# 9 - 1800GH BURNER ASSEMBLY

## 1800GH:

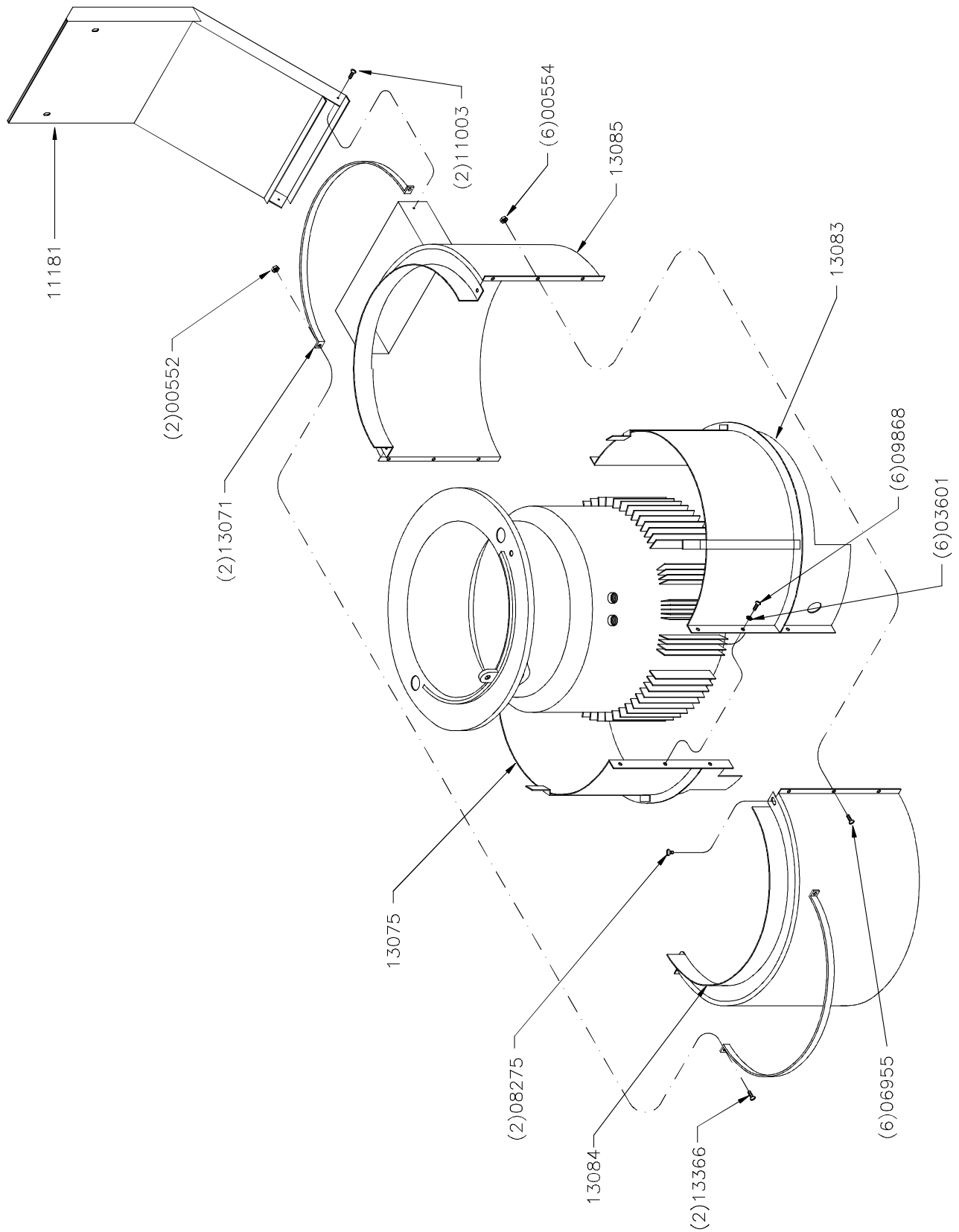


\*\* IF TRANSFORMER IS NOT DAMAGED,  
 USE WIRE ASSEMBLY REPLACEMENT KIT  
 #17152 TO REPLACE WIRES.

# 1800GHCE:



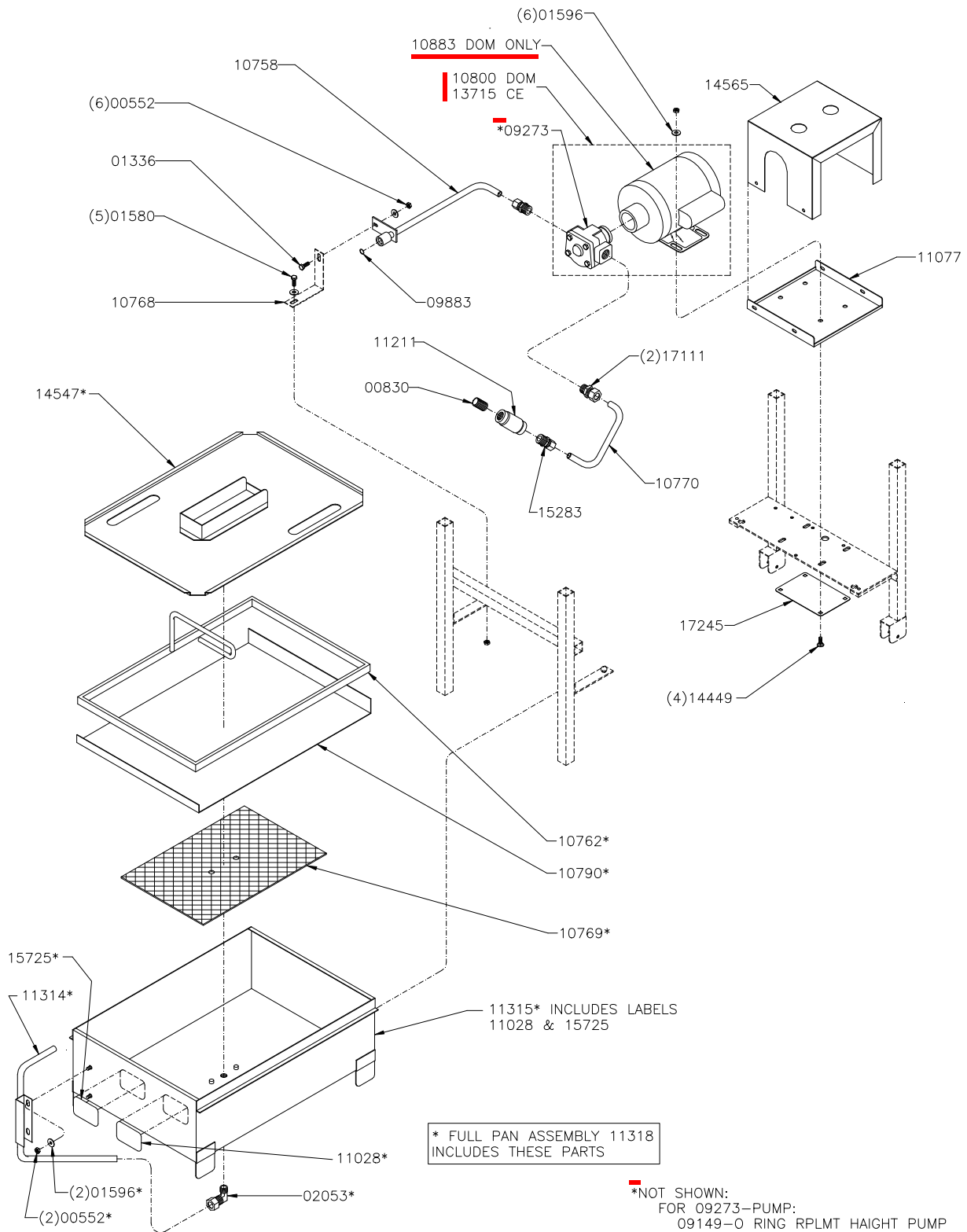
# 10 - 1800GH COMBUSTION CHAMBER



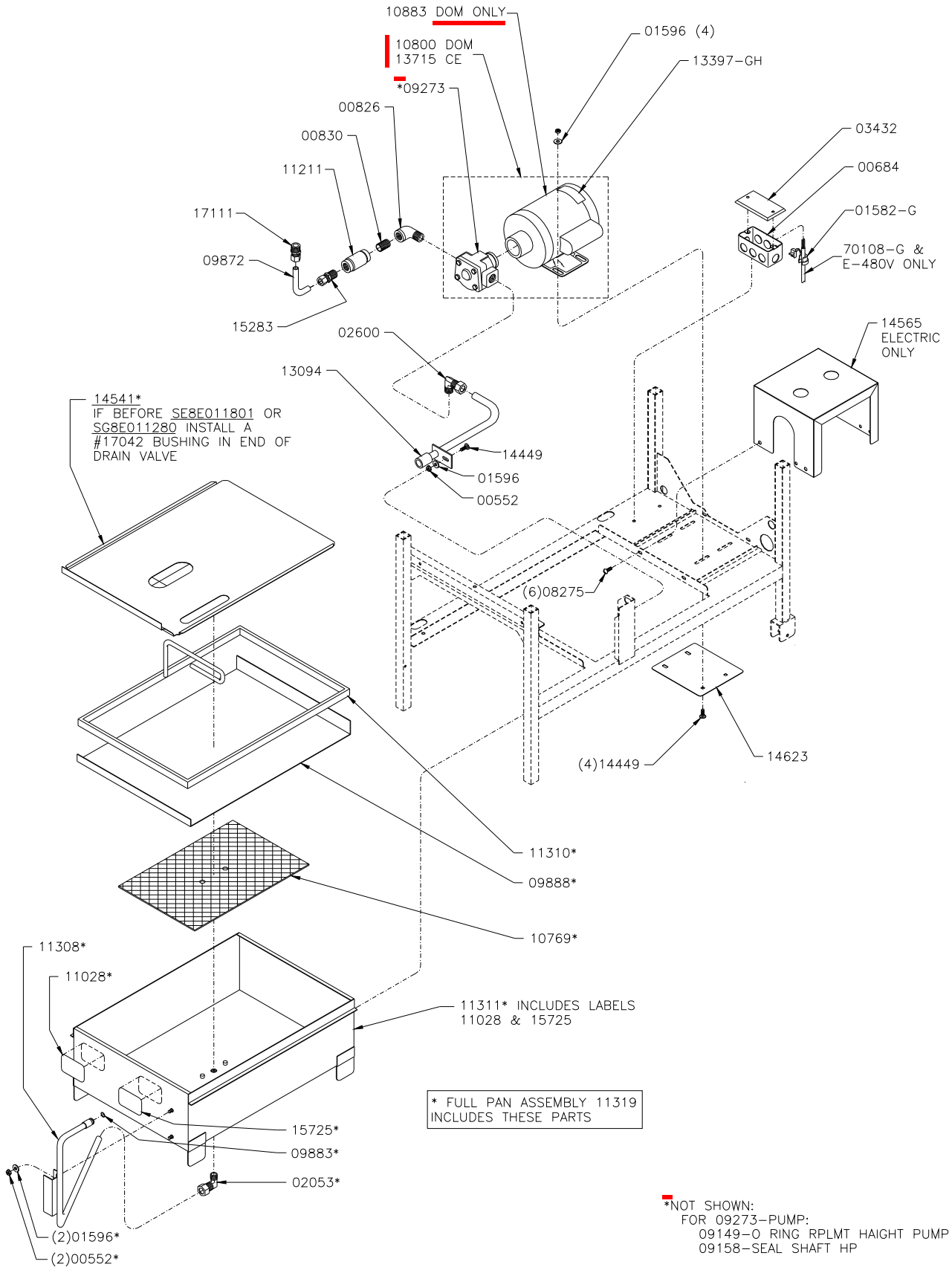


# 11 - FILTER SYSTEM

## Model 1600:

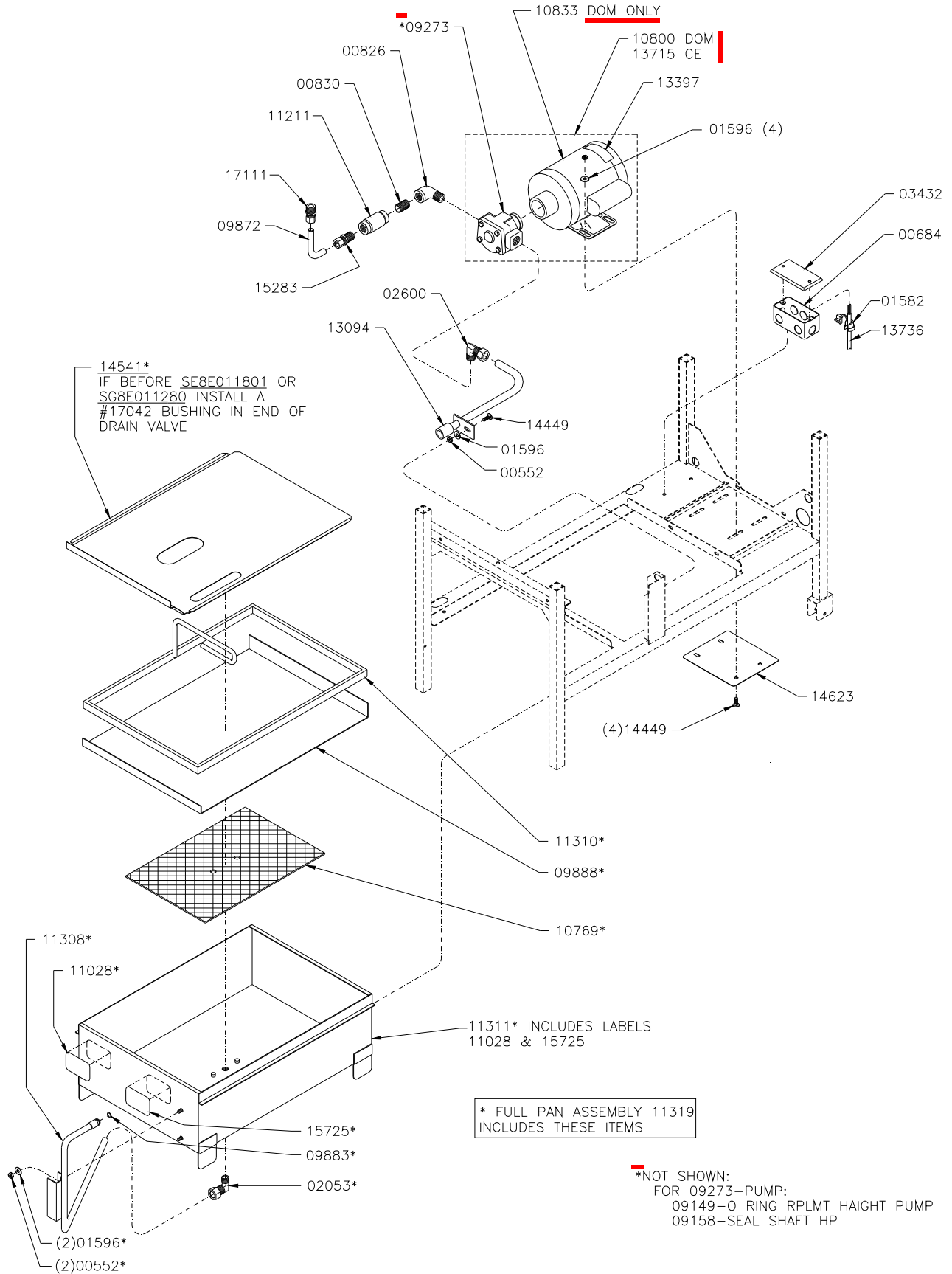


# Model 1800E:



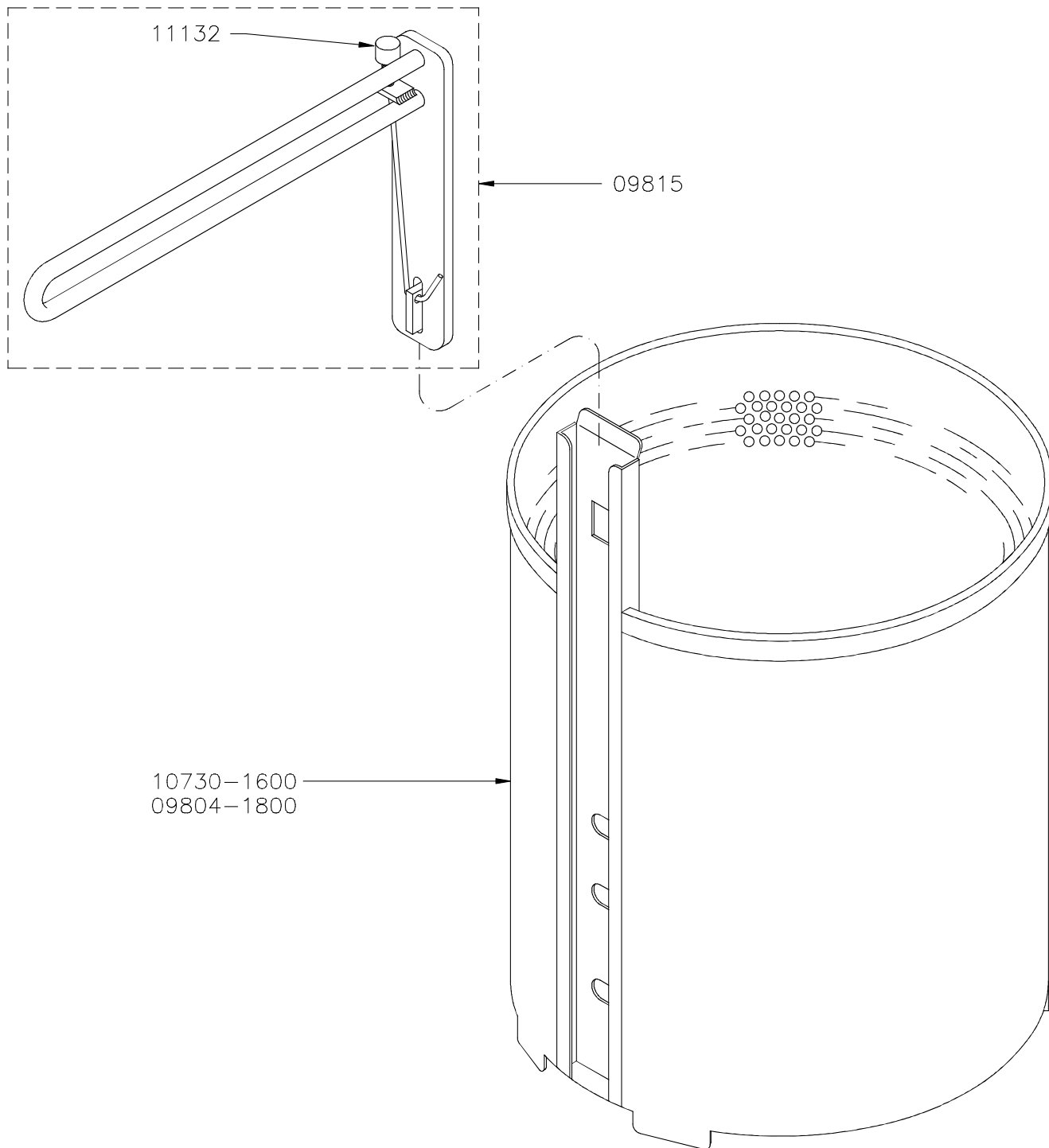


# Model 1800GH:





## 12 - FOOD BASKET AND LIFTER





# 13 - PARTS LIST

Part No.	Description	Where Used/Quantity		
		1800GH	1800E	1600
00301	SCREW RD HD #10-32 X .375 SS	4		
00370	SCREW RD HD #6-32 X .375 SS	2	2	
00388	NUT KEPS #6-32	8	13	13
00395	WRENCH ALLEN 5/32	1	1	1
00399	SCREW HX HD 1/4-20 X .375	2		
00552	NUT KEPS 1/4-20	26	17	28
00553	NUT KEPS #8-32	1	1	
00554	NUT KEPS #10-32	13	4	1
00684	BOX- CONDUIT, 2 X 4	1	1	
00743	BUSHING- HX RED .75 X .50	1		
00826	ELBOW 1/2 X 90 ST	2	1	
00830	NIPPLE 1/2 X CL BLK IRN	1	1	1
00846	O RING- COVER, 1600			1
00902	UNION 1/2 NPT	1		
01319	COUPLING 3/4 PIPE	1		
01336	SCREW HX HD 1/4-20 X .500	6		4
01556	O RING- COVER, 1800	1	1	
01578	SCREW RD HD #10-32 X .500	8	7	6
01580	SCREW HX HD 1/4-20 X .750			6
01582	BUSHING- STRAIN RELIEF .875"	2	1	
01596	WASHER- FL 1/4" X .75OD ZP	18	18	24
01599	CONNECTOR- CONDUIT 3/8 X 90	1	1	
01616	NIPPLE 1/2 X 2.00" BLK IRN	2		
02053	ELBOW 1/2CC X 3/8MPT X 90 PLT	1	1	1
02600	ELBOW 5/8"CC X 1/2"NPT X 90	1	1	
02968	SCREW FL HD #10-32 X .375 ZP			1
03092	SCREW PHLHD 1/4-20 X .500 LK			2
03432	COVER- CONDUIT BOX, 2 X 4	1	1	
03476	LOCKNUT 3/4 PIPE	2		
03600	SCREW HX HD 3/8-16 X 1.750	3		
03601	LOCKWASHER #10 EXT TOOTH	12	4	4
04147	SCREW HX HD 1/4-20 X .500 SS	2	2	3
04668	SCREW FL HD 1/4-20 X 1.000 SS	3		
04943	SCR SOC HD CS 5/16-18X3 NYLOC	2	2	2
05202	CUP PT SCREW 5/16-18 X .625	1	1	1
05959	SCREW TR HD #6-32 X .500	1	1	1
06760	PIN- SHEARPROOF	1	1	1
06955	SCREW BUT HD SOC #10-32 X .62	6		
06973	MIXER	1		
06979	GASKET- MIXER	1		
06981	HOLDER- ORIFICE	1		
06983	SHUTTER AIR TAPPED	1		

Part No.	Description	Where Used/Quantity		
		1800GH	1800E	1600
07145	NUTSERT #10-32	2	2	
07461	ELBOW- PLATED	1	1	1
07490	LUG- GROUNDING	1	1	1
07600	SCREW RD HD #4-40 X .625	2	2	2
07601	NUT KEPS #4-40	2	2	2
07876	BUSHING- INSULATING 7/8 O/C	3	1	1
08099	SCREW RD HD #6-32 X .500	4	4	
08275	SCREW TR HD #10-32 X .375 SS	17	11	17
08354	SCREW TR HD #10-32 X .500	2	2	1
08696	NIPPLE 1 X 4.50" BLK IRN			1
08755	SCREW HX HD #10-32 X .250 SS	1		
09112	SCREW RD HD #6-32 X .625	1	1	1
09204	WHEEL 2.5" DIA	2	2	2
09205	AXLE	2	2	2
09206	NUT- AXLE	2	2	2
09263	ELBOW 1/8 X 45 ST BRASS	1	1	
09273	PUMP- HAIGHT	1	1	1
09508	COLUMN- ANCHOR	2	2	2
09512	SCREW TR HD #10-32 X .625	1	2	1
09538	HEATING ELEMENT- 240V 2000W			3
09563	COLUMN- LATCH	2	2	2
09567	FOOT	2	2	2
09575	BURNER WELD	1		
09578	BRACKET MTG MIXER	1		
09621	SEAT- VALVE, EXHAUST, 1800	1	1	
09623	HOUSING- EXH VALVE, MACHINED	1	1	1
09625	BEARING- OUTER	1	1	1
09630	SPRING- EXH VALVE	1	1	1
09632	DISC- PRESSURE, EXH VALVE	1	1	1
09634	RING- RETAINING, INT	1	1	1
09636	YOKE - CONTROL, EXH VALVE	1	1	1
09639	SCREW SOCHD CAP 1/4-20 X .625	2	2	2
09689	BULB PLATE- 1600/1800	1	1	1
09705	TANK WELD- EXHAUST, 1800	1	1	
09718	TUBE- EXHAUST, 1800	1	1	
09722	LINE ASSY- DRAIN CONDENSATE	1	1	
09734	VALVE- PRESSURE RELIEF, 15PSI	1	1	1
09740	HANDLE & CAM ASSY	1	1	1
09745	SPACER- COVER, PLATED	1	1	1
09755	RAIL- SLIDE, COVER, 1800	1	1	
09784	GUIDE- BASKET, 1800 FORMED		3	
09804	BASKET WELD- 1800 SST STANDARD	1	1	
09815	LIFTER ASSY- BASKET, 1600/1800	1	1	1
09840	HEATING ELEMENT- 230V 3300W		3	
09868	SCREW HX HD #10-32 X .500 SS	6		

Part No.	Description	Where Used/Quantity		
		1800GH	1800E	1600
09870	LEG FILTER	4	4	4
09872	LINE- RETURN, FILTER, 1800	1	1	
09883	O RING- FILTER RETURN FITTING	3	3	3
09897	SCREW FL HD 1/4-20 X .750			3
09907	NIPPLE 1/2 X 30.00" BLK IRN	1		
09912	SCREW DRIVE #0 X .187 LG	2	2	2
09916	O RING- EXHAUST VALVE HOUSING	1	1	1
09949	INTERLOCK WELD- DRAIN VALVE	1	1	1
09965	LIFTER BOX- COVER, 1600/1800	1	1	1
10044	RIVET POP 1/8 DIA X .265 LG	9	5	3
10049	GROMMET 1" ID X 1 3/4" OD	1	1	1
10217	NUT KEPS #10-32 S.S.	1	1	1
10284	LOCKWASHER 5/16 EXT. TOOTH SS	3	1	2
10482	CLAMP WIRE 1 3/16 DIA	2	2	2
10483	SLEEVE- EXH VALVE, SILICONE	1	1	1
10556	SPRING COMPRESSION	1	1	1
10633	FRAME WELD- 1600, REAR			1
10634	PANEL- SIDE, 1600			2
10643	SPLASH SHIELD INTERLOCK WELD			1
10646	SPACER ELEMENT			2
10649	GUIDE- BASKET, FORMED, 1600			3
10650	VALVE- DRAIN, BALL, 1"	1	1	1
10652	HANDLE WELD- DRAIN, 1600			1
10662	PLUNGER GUIDE WELD DETENT			1
10665	PLUNGER DETENT	1	1	1
10666	INSULATOR- MICRO SWITCH	1	1	1
10674	INTERLOCK WELD- COVER	1	1	1
10677	BUTTON PIN	1	1	1
10680	SEAT- VALVE, EXHAUST, 1600			1
10690	GASKET MUFFLER			1
10691	COVER MUFFLER			1
10692	TUBE- EXHAUST, 1600			1
10693	YOKE BAR WELD- 1600			1
10707	COVER- 1600			1
10708	WASHER- BEARING	1	1	1
10709	BEARING- PLUG, YOKE-1600			1
10713	MANIFOLD- PRESSURE GAUGE	1	1	1
10730	BASKET WELD- 1600 SS.			1
10733	PLATE- DANGER, FORMED, 1600			1
10740	TERMINAL- TAB, .250 X 45	2	2	2
10758	LINE WELD- SUCTION, 1600			1
10762	HOLD DOWN FILTER PLATED			1
10768	BRACKET MTG SUCTION LINE			1
10769	SCREEN FILTER	1	1	1
10770	LINE- RETURN, FILTER, 1600			1

Part No.	Description	Where Used/Quantity		
		1800GH	1800E	1600
10799	GRIP- DRAIN HANDLE, VINYL	1	1	1
10800	PUMP & MOTOR- HAIT/LEES			1
10807	HANDLE WELD- DRAIN, 1800	1	1	
10812	SPACER ELEMENT		3	
10813	GUARD- CAPILLARY, 1800E		1	
10883	MOTOR W/MANUAL RESET, SVC	1	1	1
10886	PLATE- DANGER, FORMED, 1800	1	1	
10894	INTERLOCK WELD SPLASH SHIELD	1	1	
10901	GUIDE WELD- PLUNGER	1	1	
10902	PLUG- HOLE	3	3	3
10922	CONTROL- HI LIMIT, 450	1		
10923	CONTROL- HI LIMIT, 420		1	1
10963	GUARD WELD- CAPILLARY, 1600			1
11003	SCREW PN HD #6 X .375 TYP A	2		
11007	FUSEHOLDER- 15A		2	2
11008	FUSE- 15A, BUSS TYPE SC		2	2
11009	WIRE ASSY- HEATER, 1800E		1	1
11027	PLATE- SPEC, DOMESTIC	1	1	1
11028	LABEL- FILTER PAN, WARNING	1	1	1
11052	LABEL- CIRCUIT CONNCT, 1800E		1	
11055	LABEL- CIRCUIT CONNCT, 1600			1
11077	PLATE- BASE, MOTOR			1
11132	LINKAGE WELD- OPERATOR	1	1	1
11158	COUNTERTOP WELD	1	1	
11176	COVER WELD- TANK, 1800	1	1	
11178	COVER- 1800	1	1	
11181	DUCT WELD	1		
11187	YOKE BAR WELD- 1800	1	1	
11189	BOX WELD-CONTROL,1800G,2400G	1		
11211	VALVE CHECK 1/2"	1	1	1
11220	STRAP EXHAUST STACK			1
11228	MUFFLER WELD			1
11230	COUNTERTOP WELD			1
11232	FRAME WELD- 1600, FRONT			1
11233	SCREW HX HD 5/16-18 X .500	3	1	2
11308	RISER WELD- HANDLE, 818	1	1	
11310	HOLD DOWN FILTER PLATED	1	1	
11311	CONTAINER WELD- 1800	1	1	
11312	RAIL SLIDE			1
11314	RISER WELD- HANDLE, 616			1
11315	CONTAINER WELD- 1600			1
11318	FILTER PAN ASSEMBLY			1
11319	FILTER PAN ASSEMBY- 1800	1	1	
11647	BEARING- PLUG, YOKE-1800	1	1	
11744	BUSHING- HX RED .375 X .125	1	1	1



Part No.	Description	Where Used/Quantity		
		1800GH	1800E	1600
11748	GUARD WELD- PROBE, 16/1800E		1	1
11793	COVER- CONTROL BOX, 1600 SSR			1
11922	PROBE- FORMED, 1600			1
11923	PROBE- FORMED, 1800E		1	
12790	BUMPER, 1800 COVER	1	1	1
12791	O RING TOOL ASSEMBLY	1	1	1
12814	FLAG, CLEANING, COOK WELL CLNR	1	1	1
13071	CLAMP, OUTER WALL	2		
13075	JACKET WELD- INNER, LEFT	1		
13083	JACKET WELD- INNER, RIGHT	1		
13084	WALL WELD- OUTER, FRONT 1800G	1		
13085	WALL WELD- OUTER, REAR, 1800G	1		
13094	LINE WELD- SUCTION, 1800	1	1	
13096	WELL WELD- COOKING, 1800G	1		
13108	ORIFICE #24 MAIN 1800G NAT	1		
13274	SCREW HX HD 1/4-20 X 2.750 SS	2	2	2
13366	SCREW SOCHD CAP 1/4-20 X 1.000	2		
13396	LABEL- TIPPING/SPLASHING	1		
13397	LABEL- PUMP RESET	1		
13704	COVER WELD- TOP BACK, 1800G	1		
13705	COVER WELD- TOP BACK, 1800E		1	
13908	VALVE- GAS, NAT, SMART	1		
13910	BURNER- PILOT, SMARTVALVE	1		
13912	ORIFICE- PILOT NAT SMARTVALVE	1		
14329	COVER & YOKE ASSY- 1800/98	1	1	
14330	SHIELD WELD- SPLASH, 1800	1	1	
14331	PANEL ASSY- BACK, SPLSH GRD	1	1	
14332	SUPPORT- SPLASH SHIELD, 1800	2	2	2
14404	O RING- HEATER SEAL, 1600			6
14405	O RING- HEATER SEAL, 1800E	1	7	
14405	O RING- HEATER SEAL, 1800E			1
14406	WELL WELD- COOKING, 1800E-'98		1	
14407	WELL WELD- COOKING, 1600 - '98			1
14410	PANEL ASSY- BACK, SPLSH GRD			1
14412	SHIELD WELD- SPLASH, 1600			1
14414	COVER & YOKE ASSY- 1600/98			1
14415	FITTING- SWIVEL 1/2FPTX1/2MPT	1		
14416	VALVE- SHUTOFF, MANUAL, DOM	1		
14431	NIPPLE- HEX, 1/2" NPT	1		
14444	O RING- PISTON, EXH VALVE	1	1	1
14449	CARRIAGE BOLT 1/4-20 X 3/4"LG.	5	5	4
14541	COVER - FORMED, 1800 FILTER	1	1	
14547	COVER WELD, FILTER, 1600			1
14565	COVER MOTOR		1	1
14585	FRAME WELD- 1800 "99"	1	1	
14586	PANEL WELD- CONDNSAT, 1800 99	1	1	

Part No.	Description	Where Used/Quantity		
		1800GH	1800E	1600
14587	PAN WELD- CONDENSATE, 1800 99	1	1	
14593	SIDE PANEL L.H. 1800	1	1	
14594	SIDE PANEL R.H. 1800	1	1	
14623	PLATE- MOTOR, CATCH, 1800E 99	1	1	
14684	RAIL- SLIDE, FILTER 1600/99			2
14686	PAN WELD- CONDENSATE, 1600 99			1
14688	PANEL WELD- CONDNSAT, 1600 99			1
14838	LINE- PILOT, CORRUGATED	1		
14979	GASKET- POT RIM, 1800	1	1	
14980	NUT- MTG, HEATER, 1800E 5/8-18		6	
14981	WASHER- MTG, HEATER, 1800E 5/8		6	
14982	NUT- MTG, HEATER, 1600 1/2-20			6
14983	WASHER- MTG, HEATER, 1600 1/2"			6
14993	GASKET- POT RIM, 1600			1
15187	SWITCH- MINITURE LO VLT/LO AMP	1	1	1
15196	RING- RETAINING, CNTRL ROD	1	1	1
15198	ROD WELD- CNTRL, SEALD, 1800	1	1	
15199	ROD WELD- CNTRL, SEALD, 1600			1
15200	STOP- FILTER PAN, 1800	2	2	
15224	VALVE ASSY- EXHAUST, 2K1	1	1	1
15225	PISTON- EXHAUST VALVE, 2K1	1	1	1
15227	NUT KEPS 1/4-20 SS	1	1	1
15251	GAUGE- PRESSURE	1	1	1
15274	LOCKNUT- TOPLOCK, 1/4-20	1	1	1
15275	WASHER- FL 1/4", EXH VALVE	1	1	1
15279	PRESSURE VALVE REPAIR KIT	1		
15283	CONN COMP 1/2 OD X 1/2 NPTF	1	1	1
15398	DECAL- MADE IN USA 1.50 X 2.00	1	1	1
15694	LABEL- RELIGHTING, DOM GAS	1		
15725	LABEL- FILTER PAN, CAUTION	1		1
15767	BOOT- PROTECTIVE, GAS VALVE	1		
15777	PLATE- GAS DATA, 1800GH NAT	1		
15785	LABEL- FILTER PAN (LONG)	1		
16258	RELAY- 220/240V, 10A, SPDT		1	1
16267	PIN- BRIDGE, 1.25" X .105 WIRE	1	1	1
16543	SCREW TR HD #8-32 X .375	1	1	
16609	BOX WELD- CONTACTOR, 1800E 2K7		1	
16618	BOX WELD- CONTACTOR, 1600 2K7			1
16738	PIN- PIVOT, COND PAN, 1600			2
16739	CONNECTOR- CORD, NYLON	1	1	
16891	NUT LOCK, 1/4-20, NYLON INSRT	7	7	
16939	LEVERNUT- 3 POLE	3	2	
17042	NIPPLE- DRAIN, 1800	1	1	
17104	WASHER- 12GA SS, 1/4" x 3/4"			10
17111	CONN COMP 1/2OD X 1/2 NPT	1	1	2

Part No.	Description	Where Used/Quantity		
		1800GH	1800E	1600
17116	PIN- PIVOT, 1600/1800, 2K11	2	2	
17217	RELAY- 24VAC, SPST-NO	2	1	1
17219	SWITCH- ROCKER, SPST, 250V 5A	1	1	1
17220	CONTACTOR- 50A RES, 24VAC		2	2
17226	CONTROLLER- SMART TOUCH	1	1	
17227	STANDOFF- HI-LIMIT, #6-32 X 1"	2	2	2
17229	CABLE- USB	1	1	1
17230	COVER- USB CABLE	1	1	1
17232	PANEL- FRONT, 1600 ST, FORMED			1
17234	PANEL- FRONT, 1800E ST, FORMED		1	
17236	PANEL- FRONT, 1800GH ST, FORMD	1		
17241	WIRE ASSY- 15 PIN, GAS	1		
17244	WIRE ASSY- XFMR- GAS ST	1		
17245	PLATE- MOTOR CATCH, 1600	1		
17246	LABEL- WIRE DIAG, GAS ST	1		
17247	CONDUIT ASM- FLTR WIR, GAS ST	1		
17250	TRANSFORMER ASSY- PWR, ST	1	1	1
17252	WIRE ASSY- 15 PIN, ELEC ST		1	1
17253	CONDUT ASM- FLTR WIR, 1600 ST			1
17255	WIRE ASSY- CONTACTOR, 1600ST			1
17259	LABEL- WIRE DIAG, ELECT ST		1	1
17261	CONDUIT ASM-FLTR WIR,18,24E ST		1	
17262	WIRE ASSY- CNTCTR BX, 1800E ST		1	
17268	MANUAL- INSTALL, 1600/1800, ST	1	1	1
17269	MANUAL- OPER, 1600/1800, ST	1	1	1
17358	CONTROLLER- SMART TOUCH, SERVICE	1	1	1
17398	LABEL- VALVE, NEW			1
17480	GUARD- CAPILLARY, 1800GH NEW	1		
17575	CHASSIS W/ OVERLAY	1	1	1
70108	CORDSET- 6FT, 120V	1		
70205	SCREW PN HD #8-32 X .375 SS	2	2	
70210	NUT HEX 3/8-16	3		
70218	NUTSERT #8-32			2
99501	CW CLEANER- N&I, 5OZ SAMPLE	2	2	2







**Broaster Company**  
2855 Cranston Road, Beloit, WI 53511-3991  
608/365-0193  
**broaster.com**